



The European B2B Forum for the Electronics Industry

EDIFICE Message Implementation Guideline Order Status Report – Supplier to Distributor

OSTRPT Issue EDOS02

Endorsed 27 November 2002

Based on UN/EDIFACT D.97A OSTRPT Message

Copyright ©EDIFICE 2004

All rights reserved. No part of this publication may be reproduced or transmitted in any form or by any means without prior permission of EDIFICE.

Notwithstanding the fact that the utmost care has been observed in the collecting, drawing up and formulating of data, EDIFICE can under no circumstances be held liable for errors, omissions or misinterpretations as a result of the information compiled in the guidelines.

EDIFICE
The European B2B Forum for the Electronics Industry
EDIFICE secretariat
Dora Cresens
Tiensestraat 2
B-3320 Hoegaarden
Belgium
Tel: +32 16 76 54 40
Fax: +32 16 76 53 58
Email: Dora.Cresens@edifice.org

TABLE OF CONTENTS

<u>TITLE</u>	<u>PAGE</u>
COMPARISON TO PREVIOUS ISSUE	3
EDIFICE FUNCTIONAL DEFINITION	4
REFERENCES	5
EXPLANATORY NOTES	5
MESSAGE STRUCTURE CHART	6
BRANCHING DIAGRAM	7
SEGMENT GROUPS/SEGMENTS DESCRIPTION	9
UNH MESSAGE HEADER	12
BGM BEGINNING OF MESSAGE	13
DTM DATE/TIME/PERIOD	14
SG1 - NAD NAME AND ADDRESS	15
SG3 - DOC DOCUMENT/MESSAGE DETAILS	16
SG3 - DTM DATE/TIME/PERIOD	17
SG3 - CUX CURRENCIES	18
SG3 - RFF REFERENCE	19
SG5 - LIN LINE ITEM	20
SG5 - PIA ADDITIONAL PRODUCT ID	21
SG5 - QTY QUANTITY	22
SG5 - DTM DATE/TIME/PERIOD	23
SG5 - PRI PRICE DETAILS	24
SG6 - RFF REFERENCE	25
SG15 - SCC SCHEDULING CONDITIONS	27
SG16 - LOC PLACE/LOCATION IDENTIFICATION	27
SG16 - DTM DATE/TIME/PERIOD	28
SG16 - QTY QUANTITY	29
UNT MESSAGE TRAILER	30
EXAMPLE	31

COMPARISON TO PREVIOUS ISSUE

12 May 2004 : EDIFIX 5.0 Technical Upgrade

- The 'KMT' qualifier in SEG QTY and PRI DE 6411 is now defined as (*) EDIFICE code. UN/ECE Recommendation 20 specifies 'KTM' as qualifier for 'kilometre'.

21 May 2003 : EDIFIX 4.2 Technical upgrade; review and correction of examples

Issue EDOS02 of 13 November 2002 is based on UN/EDIFACT D97.A / Code List D01.A

- Addition of the following code value:

SG5, LIN segment, CO C212, DE 7143 code 'SRV' EAN.UCC Global Trade Item Number

SG5, PIA segment, CO C212, DE 7143 code 'SRV' EAN.UCC Global Trade Item Number

Issue EDOS01 of 29 May 2002 – addition of recommended set of DTM qualifiers

EDIFICE FUNCTIONAL DEFINITION

Principles

The message is built to meet requests between parties, from supplier to distributor, exchanging order book information as a whole set of data.

The order status report message is sent on request or at a fixed schedule, mutually agreed between partners. This can be stated in a separate agreement.

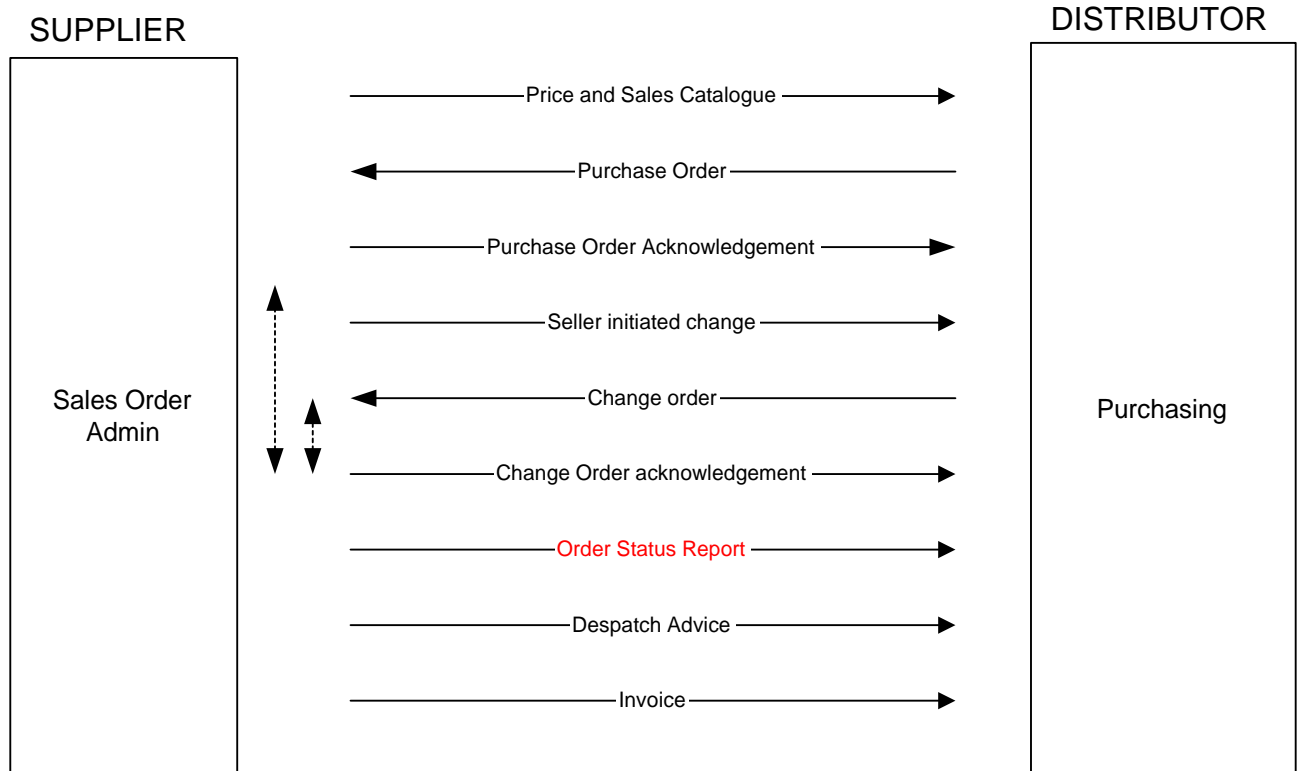
The order status report message carries complete order book information known at the elaboration date/time. It is a snapshot of the supplier order book.

In the order status report message, the supplier sales order reported at DOC level, contains only the open line items remaining to be delivered against this supplier sales order number.

The order status report message doesn't replace the Despatch Advice message or the Invoice message for devices in transit between supplier and buyer at the elaboration date/time of the message. The relevant messages must be used to comply with the normal flow of information and according to the logical schedule of treatment in using the sequential interchange number sent at UNB level.

The order status report message is intended to synchronise data between partners because some messages in the business flow can be incomplete, missing, wrongly understood or some change of data cannot be transferred due to the application.

ORDER PROCESSING FLOW



Example of information which could not be transferred or not well translated, foreseen in the messages (Order Response message) but sometimes not handled by the systems:

- Early warning information like new delivery date (seller initiated).
- Partial order confirmation (buyer request/seller application).
- Split of quantity and date in the order confirmation (buyer application).
- Automatic cancellation of small balanced quantity in the seller order book (seller initiated).

REFERENCES

Refer to the document : Reference list for the EDIFICE message guidelines – Issue 1

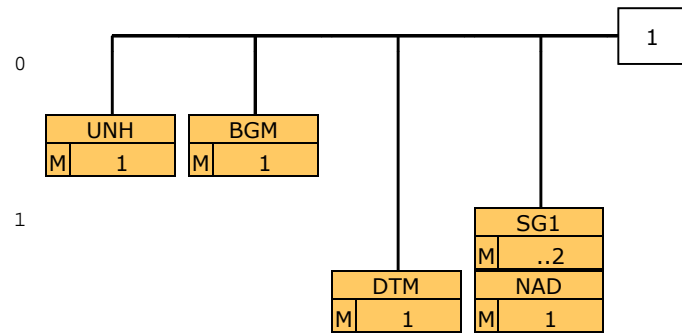
EXPLANATORY NOTES

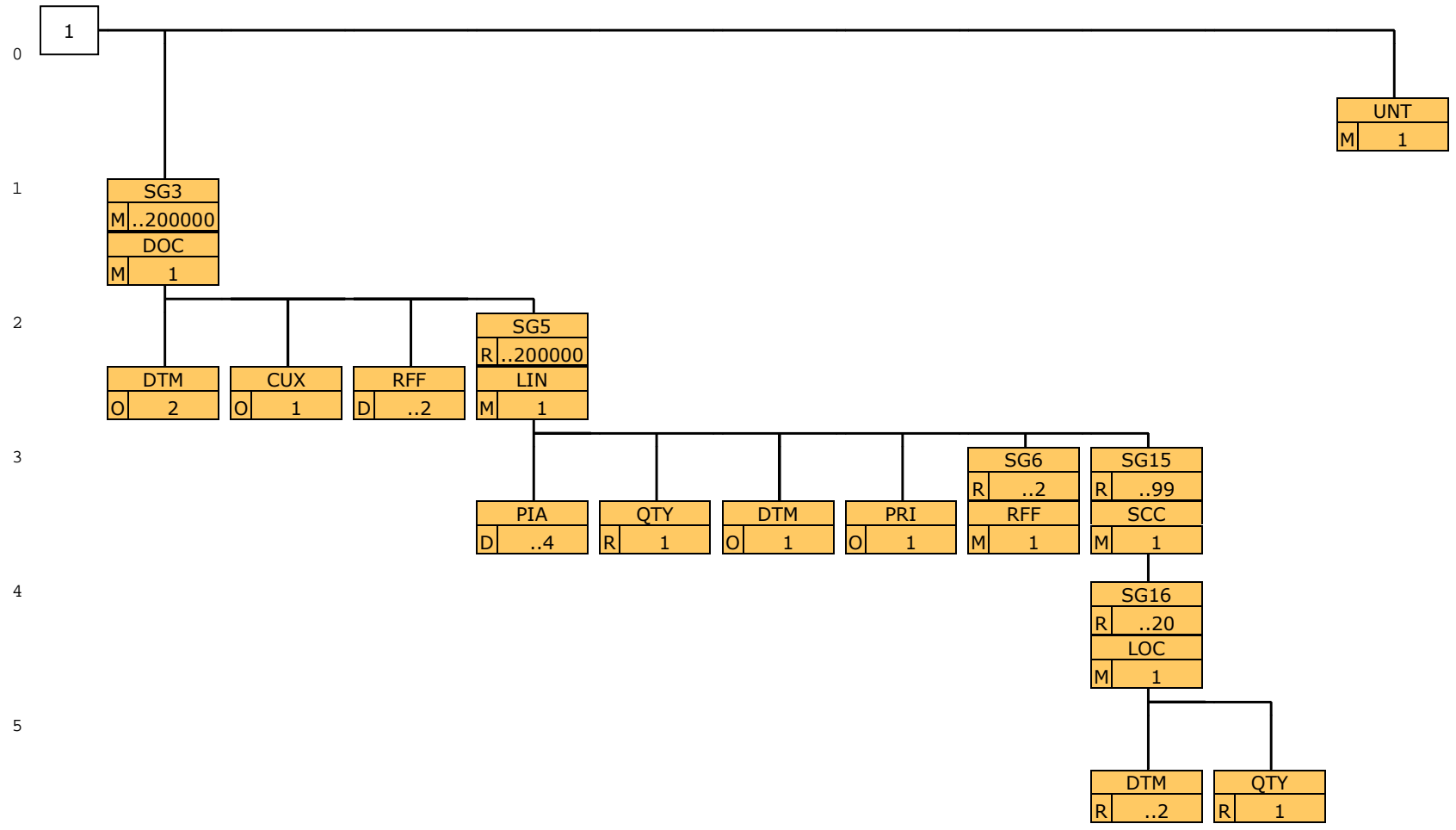
Refer to the document : Explanatory notes for the EDIFICE message guidelines – Issue 1

MESSAGE STRUCTURE CHART

	UNH	MESSAGE HEADER	M 1
	BGM	BEGINNING OF MESSAGE	M 1
	DTM	DATE/TIME/PERIOD	M 1
┌	SG1		M..2
└	NAD	NAME AND ADDRESS	M 1
┌	SG3		M..200000
└	DOC	DOCUMENT/MESSAGE DETAILS	M 1
	DTM	DATE/TIME/PERIOD	O 2
	CUX	CURRENCIES	O 1
	RFF	REFERENCE	D..2
┌	SG5		R..200000
└	LIN	LINE ITEM	M 1
	PIA	ADDITIONAL PRODUCT ID	D..4
	OTY	QUANTITY	R 1
	DTM	DATE/TIME/PERIOD	O 1
	PRI	PRICE DETAILS	O 1
┌	SG6		R..2
└	RFF	REFERENCE	M 1
┌	SG15		R..99
└	SCC	SCHEDULING CONDITIONS	M 1
┌	SG16		R..20
└	LOC	PLACE/LOCATION IDENTIFICATION	M 1
	DTM	DATE/TIME/PERIOD	R..2
	OTY	QUANTITY	R 1
	UNT	MESSAGE TRAILER	M 1

BRANCHING DIAGRAM





SEGMENT GROUPS/SEGMENTS DESCRIPTION

UNH MESSAGE HEADER

Function: A service segment heading, and uniquely identifying the message.
Usage: M1

BGM BEGINNING OF MESSAGE

Function: A segment uniquely identifying the message by means of its coded name, number and function.
Usage: M1

DTM DATE/TIME/PERIOD

Function: A segment specifying the date/time of creation of the message.
Usage: M1

SG1 NAD

Function: A group of segments providing details of the parties involved.
Usage: M..2
Notes:

NAD NAME AND ADDRESS

Function: A segment identifying the function and coded identification, name and address of a party involved.
Usage: M1

SG3 DOC-DTM-CUX-RFF-SG5

Function: A group of segments providing details of the individual orders.
Usage: M..200000
Notes: Where the sales order number relates to the whole purchase order it must be sent in the RFF of SG3. Where the sales order number is not the same in every line item it must appear in the RFF segment of SG6.
At present the maximum occurrence of this segment group is 999. EDIFICE has raised a DMR to increase the number of occurrences to 200000 usage.

DOC DOCUMENT/MESSAGE DETAILS

Function: A segment identifying the sales order number.
Usage: M1

DTM DATE/TIME/PERIOD

Function: A segment specifying a date/time.
Usage: O2

CUX CURRENCIES

Function: A segment specifying the currency.
Usage: O1

RFF REFERENCE

Function: A segment specifying a document reference number.
Usage: D..2

SG5 LIN-PIA-QTY-DTM-PRI-SG6-SG15

Function: A group of segments providing details of the individual line items i.e. products to be delivered.
Usage: R..200000
Notes: The PIA segment is dependent on whether the primary reference to the line item being ordered is insufficient to identify the item.

LIN LINE ITEM

Function: A segment identifying a line item by its item number, and agreed to be the primary reference number between trading partner.
The segment also carries a sequence number assigned to the line item within the message.
Usage: M1

PIA ADDITIONAL PRODUCT ID

Function: A segment providing additional identification numbers for the line item.
Usage: D..4

QTY QUANTITY

Function: A segment specifying the total quantity to be delivered for the line item.
Usage: R 1

DTM DATE/TIME/PERIOD

Function: A segment specifying a date/time related to the line item.
Usage: O 1

PRI PRICE DETAILS

Function: A segment specifying price information for the line item.
Usage: O 1

SG6 RFF

Function: A group of segments providing details of the individual line items i.e. products to be delivered.
Usage: R..2
Notes: Where the sales order number relates to the whole purchase order it must be sent in the RFF of SG3.
Where the sales order number is not the same in every line item it must appear in the RFF segment of SG6.

RFF REFERENCE

Function: A segment specifying the line item reference number.
Usage: M1

SG15 SCC-SG16

Function: A group of segments specifying firm scheduling conditions.
Usage: R..99
Notes:

SCC SCHEDULING CONDITIONS

Function: A segment specifying a firm delivery.
Usage: M1

SG16 LOC-DTM-QTY

Function: A group of segments specifying delivery date and quantity information.
Usage: R..20
Notes:

LOC PLACE/LOCATION IDENTIFICATION

Function: A segment specifying the location to which the quantity is to be delivered.
Usage: M1

DTM DATE/TIME/PERIOD

Function: A segment specifying dates/times related to the quantity.
Usage: R..2

QTY QUANTITY

Function: A segment specifying a quantity.
Usage: R 1

UNT MESSAGE TRAILER

Function: A service segment ending, and providing information for checking the completeness of a message.
Usage: M1

SEGMENT DETAILS



UNH MESSAGE HEADER

Function: A service segment heading, and uniquely identifying the message.

Usage : M1

Notes : Refer to EDIFICE Utilisation of the UN/EDIFACT Service Segments, Issue EDSS04

Ref.	Rep.	Name		EDIFICE Utilisation
0062	an..14	M MESSAGE REFERENCE NUMBER	M	Transmission message count from 1
S009		M MESSAGE IDENTIFIER	M	
0065	an..6	M Message type identifier	M	OSTRPT = Order status report message
0052	an..3	M Message type version number	M	D = Draft version/UN/EDIFACT Directory
0054	an..3	M Message type release number	M	97A = Release 1997 - A
0051	an..2	M Controlling agency	M	ED = EDIFICE (Electronic industries project)
0057	an..6	C Association assigned code	R	EDOS02 = Order status report message StoD Issue EDOS02
0068	an..35	C COMMON ACCESS REFERENCE	N	
S010		C STATUS OF THE TRANSFER	N	
0070	n..2	M Sequence message transfer number	N	
0073	a1	C First/last sequence message transfer indication	N	

BGM BEGINNING OF MESSAGE

Function: A segment uniquely identifying the message by means of its coded name, number and function.

Usage : M1

Notes :

Ref.	Rep.	Name		EDIFICE Utilisation
C002		C DOCUMENT/MESSAGE NAME	R	
1001	an..3	C Document/message name, coded	R	77 = Status report
1131	an..3	C Code list qualifier	N	
3055	an..3	C Code list responsible agency, coded	N	
1000	an..35	C Document/message name	N	
C106		C DOCUMENT/MESSAGE IDENTIFICATION	R	
1004	an..35	C Document/message number	R	Order status report number
1056	an..9	C Version	N	
1060	an..6	C Revision number	N	
1225	an..3	C MESSAGE FUNCTION, CODED	R	8 = Status
4343	an..3	C RESPONSE TYPE, CODED	N	

DTM DATE/TIME/PERIOD

Function: A segment specifying the date/time of creation of the message.

Usage : M1

Notes :

Ref.	Rep.	Name		EDIFICE Utilisation
C507		M DATE/TIME/PERIOD	M	
2005	an..3	M Date/time/period qualifier	M	137 = Document/message date/time Date when the document is created
2380	an..35	C Date/time/period	R	
2379	an..3	C Date/time/period format qualifier	R	102 = CCYMMDD 203 = CCYMMDDHHMM 303 = CCYMMDDHHMMZZZ ZZZ = Time zone 304 = CCYMMDDHHMMSSZZZ ZZZ = Time zone X03 = CCYMMDDHHMMZZZZZ (*) ZZZZZ = Time zone X04 = CCYMMDDHHMMSSZZZZZ (*) ZZZZZ = Time zone (*) EDIFICE code

SG1 NAD

NAD NAME AND ADDRESS

Function: A segment identifying the function and coded identification, name and address of a party involved.

Usage : M1

Notes : It is advised that the party identification CO C082 be used. When CO C082 cannot be used it is recommended to use the structured name and address CO C080 through DE 3207 rather than the unstructured one CO C058.
A NAD segment identifying the seller must be present.

Ref.	Rep.	Name		EDIFICE Utilisation
3035	an..3	M PARTY QUALIFIER	M	BY = Buyer DP = Delivery party IV = Invoicee PC = Actual purchaser's customer End-customer SE = Seller
C082		C PARTY IDENTIFICATION DETAILS	A	
3039	an..35	M Party id. identification	M	
1131	an..3	C Code list qualifier	N	
3055	an..3	C Code list responsible agency, coded	R	9 = EAN (International Article Numbering association) 16 = DUNS (Dun & Bradstreet) 91 = Assigned by seller or seller's agent 92 = Assigned by buyer or buyer's agent
C058		C NAME AND ADDRESS	D	
3124	an..35	M Name and address line	M	
3124	an..35	C Name and address line	O	
3124	an..35	C Name and address line	O	
3124	an..35	C Name and address line	O	
3124	an..35	C Name and address line	O	
C080		C PARTY NAME	D	
3036	an..35	M Party name	M	
3036	an..35	C Party name	O	
3036	an..35	C Party name	O	
3036	an..35	C Party name	O	
3036	an..35	C Party name	O	
3045	an..3	C Party name format, coded	N	
C059		C STREET	D	
3042	an..35	M Street and number/p.o. box	M	
3042	an..35	C Street and number/p.o. box	O	
3042	an..35	C Street and number/p.o. box	O	
3042	an..35	C Street and number/p.o. box	O	
3164	an..35	C CITY NAME	D	
3229	an..9	C COUNTRY SUB-ENTITY IDENTIFICATION	D	
3251	an..9	C POSTCODE IDENTIFICATION	D	
3207	an..3	C COUNTRY, CODED	D	Use ISO 3166, 2 alpha code

SG3 DOC-DTM-CUX-RFF-SG5

DOC DOCUMENT/MESSAGE DETAILS

Function: A segment identifying the sales order number.

Usage : M1

Notes :

Ref.	Rep.	Name		EDIFICE Utilisation
C002		M DOCUMENT/MESSAGE NAME	M	
1001	an..3	C Document/message name, coded	R	SO = Supplier sales order number (*) (*) EDIFICE code
1131	an..3	C Code list qualifier	N	
3055	an..3	C Code list responsible agency, coded	N	
1000	an..35	C Document/message name	N	
C503		C DOCUMENT/MESSAGE DETAILS	R	
1004	an..35	C Document/message number	R	Supplier sales order number
1373	an..3	C Document/message status, coded	N	
1366	an..35	C Document/message source	N	
3453	an..3	C Language, coded	N	
3153	an..3	C COMMUNICATION CHANNEL IDENTIFIER, CODED	N	
1220	n..2	C NUMBER OF COPIES OF DOCUMENT REQUIRED	N	
1218	n..2	C NUMBER OF ORIGINALS OF DOCUMENT REQUIRED	N	

SG3 DOC-DTM-CUX-RFF-SG5

DTM DATE/TIME/PERIOD

Function: A segment specifying a date/time.
 Usage : O2
 Notes :

Ref.	Rep.	Name		EDIFICE Utilisation
C507		M DATE/TIME/PERIOD	M	
2005	an..3	M Date/time/period qualifier	M	182 = Issue date ORD = Last order response date/time (*) (*) EDIFICE code
2380	an..35	C Date/time/period	R	
2379	an..3	C Date/time/period format qualifier	R	102 = CCYMMDD 203 = CCYMMDDHHMM 303 = CCYMMDDHHMMZZZ ZZZ = Time zone 304 = CCYMMDDHHMMSSZZZ ZZZ = Time zone X03 = CCYMMDDHHMMZZZZ (*) ZZZZ = Time zone X04 = CCYMMDDHHMMSSZZZZ (*) ZZZZ = Time zone (*) EDIFICE code

SG3 DOC-DTM-CUX-RFF-SG5

CUX CURRENCIES

Function: A segment specifying the currency.

Usage : 01

Notes : At present this segment is not in the UNSM structure. EDIFICE has raised a DMR to add this segment to the UNSM.

Ref.	Rep.	Name		EDIFICE Utilisation
C504		C CURRENCY DETAILS	R	
6347	an..3	M Currency details qualifier	M	2 = Reference currency
6345	an..3	C Currency, coded	R	Use ISO 4217, 3 alpha code
6343	an..3	C Currency qualifier	R	9 = Order currency
6348	n..4	C Currency rate base	N	
C504		C CURRENCY DETAILS	N	
6347	an..3	M Currency details qualifier	N	
6345	an..3	C Currency, coded	N	
6343	an..3	C Currency qualifier	N	
6348	n..4	C Currency rate base	N	
5402	n..12	C RATE OF EXCHANGE	N	
6341	an..3	C CURRENCY MARKET EXCHANGE, CODED	N	

SG3 DOC-DTM-CUX-RFF-SG5**RFF REFERENCE**

Function: A segment specifying a document reference number.

Usage : D..2

Notes : At present this segment is not in the UNSM structure. EDIFICE has raised a DMR to add this segment to the UNSM.

Ref.	Rep.	Name		EDIFICE Utilisation
C506		M REFERENCE	M	CT = Contract number ON = Order number (purchase) PR = Price quote number
1153	an..3	M Reference qualifier	M	
1154	an..35	C Reference number	R	
1156	an..6	C Line number	N	
4000	an..35	C Reference version number	N	

SG5 LIN-PIA-QTY-DTM-PRI-SG6-SG15

LIN LINE ITEM

Function: A segment identifying a line item by its item number, and agreed to be the primary reference number between trading partner.

The segment also carries a sequence number assigned to the line item within the message.

Usage : M1

Notes :

Ref.	Rep.	Name		EDIFICE Utilisation
1082	an..6	C LINE ITEM NUMBER	R	It is required to assign a number to the line items within a message. The number is assigned by the sender of the message. The first line item within a message will be numbered 1 and further line items will be incremented by 1 for each new line. O = Open (*) (*) EDIFICE code Primary reference BP = Buyer's part number EN = International Article Numbering Association (EAN) SRV = EAN.UCC Global Trade Item Number UP = UPC (Universal product code) VP = Vendor's (seller's) part number 9 = EAN (International Article Numbering association) 91 = Assigned by seller or seller's agent 92 = Assigned by buyer or buyer's agent 113 = US, UCC (Uniform Code Council)
1229	an..3	C ACTION REQUEST/NOTIFICATION, CODED	R	
C212		C ITEM NUMBER IDENTIFICATION	R	
7140	an..35	C Item number	R	
7143	an..3	C Item number type, coded	R	
1131	an..3	C Code list qualifier	N	
3055	an..3	C Code list responsible agency, coded	R	
C829		C SUB-LINE INFORMATION	N	
5495	an..3	C Sub-line indicator, coded	N	
1082	an..6	C Line item number	N	
1222	n..2	C CONFIGURATION LEVEL	N	
7083	an..3	C CONFIGURATION, CODED	N	

SG5 LIN-PIA-QTY-DTM-PRI-SG6-SG15**PIA ADDITIONAL PRODUCT ID**

Function: A segment providing additional identification numbers for the line item.

Usage : D..4

Notes : The 5 internal repetitions of CO C212 may be used, but EDIFICE recommends to only use the first occurrence.

Ref.	Rep.	Name		EDIFICE Utilisation
4347	an..3	M PRODUCT ID. FUNCTION QUALIFIER	M	1 = Additional identification BP = Buyer's part number CV = Customs article number EN = International Article Numbering Association (EAN) SRV = EAN.UCC Global Trade Item Number UP = UPC (Universal product code) VP = Vendor's (seller's) part number
C212		M ITEM NUMBER IDENTIFICATION	M	
7140	an..35	C Item number	R	
7143	an..3	C Item number type, coded	R	
1131	an..3	C Code list qualifier	N	
3055	an..3	C Code list responsible agency, coded	R	
C212		C ITEM NUMBER IDENTIFICATION	O	
7140	an..35	C Item number	R	
7143	an..3	C Item number type, coded	R	
1131	an..3	C Code list qualifier	N	
3055	an..3	C Code list responsible agency, coded	R	9 = EAN (International Article Numbering association) 91 = Assigned by seller or seller's agent 92 = Assigned by buyer or buyer's agent 113 = US, UCC (Uniform Code Council)
C212		C ITEM NUMBER IDENTIFICATION	O	As for first CO C212
7140	an..35	C Item number	R	
7143	an..3	C Item number type, coded	R	
1131	an..3	C Code list qualifier	N	
3055	an..3	C Code list responsible agency, coded	R	
C212		C ITEM NUMBER IDENTIFICATION	O	As for first CO C212
7140	an..35	C Item number	R	
7143	an..3	C Item number type, coded	R	
1131	an..3	C Code list qualifier	N	
3055	an..3	C Code list responsible agency, coded	R	
C212		C ITEM NUMBER IDENTIFICATION	O	As for first CO C212
7140	an..35	C Item number	R	
7143	an..3	C Item number type, coded	R	
1131	an..3	C Code list qualifier	N	
3055	an..3	C Code list responsible agency, coded	R	

SG5 LIN-PIA-QTY-DTM-PRI-SG6-SG15

QTY QUANTITY

Function: A segment specifying the total quantity to be delivered for the line item.

Usage : R 1

Notes : At present this segment is not in the UNSM structure. EDIFICE has raised a DMR to add this segment to the UNSM.

Ref.	Rep.	Name	EDIFICE Utilisation
C186		M QUANTITY DETAILS	M
6063	an..3	M Quantity qualifier	M 143 = Quantity remaining
6060	n..15	M Quantity	M
6411	an..3	C Measure unit qualifier	R Use the following codes from UN/ECE Recommendation no.20, Codes for Units of Measurement: CLT = centilitre CMT = centimetre GRM = gram KGM = kilogram KMT = kilometre (*) LTR = litre MGM = milligram MMT = millimetre MTK = square metre MTQ = cubic metre MTR = metre PCE = piece (*) (*) EDIFICE code, not included in UN/ECE Recommendation No. 20 Other codes should be previously agreed between trading partners.

SG5 LIN-PIA-QTY-DTM-PRI-SG6-SG15

DTM DATE/TIME/PERIOD

Function: A segment specifying a date/time related to the line item.

Usage : 01

Notes : At present this segment is not in the UNSM structure. EDIFICE has raised a DMR to add this segment to the UNSM.

Ref.	Rep.	Name		EDIFICE Utilisation
C507		M DATE/TIME/PERIOD	M	
2005	an..3	M Date/time/period qualifier	M	7 = Effective date/time ORD = Order response date/time (*) DLU = Date/time of last update (*) (*) EDIFICE code
2380	an..35	C Date/time/period	R	
2379	an..3	C Date/time/period format qualifier	R	102 = CCYMMDD 203 = CCYMMDDHHMM 303 = CCYMMDDHHMMZZZ ZZZ = Time zone 304 = CCYMMDDHHMMSSZZZ ZZZ = Time zone X03 = CCYMMDDHHMMZZZZ (*) ZZZZ = Time zone X04 = CCYMMDDHHMMSSZZZZ (*) ZZZZ = Time zone (*) EDIFICE code

SG5 LIN-PIA-QTY-DTM-PRI-SG6-SG15

PRI PRICE DETAILS

Function: A segment specifying price information for the line item.

Usage : 01

Notes : At present this segment is not in the UNSM structure. EDIFICE has raised a DMR to add this segment to the UNSM.

Ref.	Rep.	Name		EDIFICE Utilisation
C509		C PRICE INFORMATION	R	
5125	an..3	M Price qualifier	M	AAA = Calculation net
5118	n..15	C Price	R	
5375	an..3	C Price type, coded	R	CT = Contract DI = Distributor NNG = Not negotiable (*) PV = Provisional price QT = Quoted SBP = Special buy price (*) SR = Suggested retail TB = To be negotiated (*) EDIFICE code
5387	an..3	C Price type qualifier	N	
5284	n..9	C Unit price basis	R	
6411	an..3	C Measure unit qualifier	R	Use the following codes from UN/ECE Recommendation no.20, Codes for Units of Measurement: CLT = centilitre CMT = centimetre GRM = gram KGM = kilogram LTR = litre MGM = milligram MMT = millimetre MTK = square metre MTQ = cubic metre MTR = metre KMT = kilometre (*) PCE = piece (*) (*) EDIFICE code, not included in UN/ECE Recommendation No. 20 Other codes should be previously agreed between trading partners.
5213	an..3	C SUB-LINE PRICE CHANGE, CODED	N	

SG6 RFF**RFF REFERENCE**

Function: A segment specifying the line item reference number.

Usage : M1

Notes : It is required to specify the buyer's original line item reference number.

Ref.	Rep.	Name		EDIFICE Utilisation
C506		M REFERENCE	M	
1153	an..3	M Reference qualifier	M	LI = Line item reference number Buyer's original line item number DE 1154: (N) VN = Order number (vendor)
1154	an..35	C Reference number	D	DE 1154: (R) See DE 1153
1156	an..6	C Line number	R	Buyer's original purchase order line item number
4000	an..35	C Reference version number	N	

SG15 SCC-SG16

SCC SCHEDULING CONDITIONS

Function: A segment specifying a firm delivery.

Usage : M1

Notes :

Ref.	Rep.	Name		EDIFICE Utilisation
4017	an..3	M DELIVERY PLAN STATUS INDICATOR, CODED	M	1 = Firm
4493	an..3	C DELIVERY REQUIREMENTS, CODED	N	
C329		C PATTERN DESCRIPTION	N	
2013	an..3	C Frequency, coded	N	
2015	an..3	C Despatch pattern, coded	N	
2017	an..3	C Despatch pattern timing, coded	N	

SG16 LOC-DTM-QTY

LOC PLACE/LOCATION IDENTIFICATION

Function: A segment specifying the location to which the quantity is to be delivered.

Usage : M1

Notes : The value entered in this segment is only used to enable access to the following DTM-QTY segments within this segment group.

Ref.	Rep.	Name	EDIFICE Utilisation
3227	an..3	M PLACE/LOCATION QUALIFIER	M ZZZ = Mutually defined Mandatory segment, used to give access to other segments within this segment group.
C517		C LOCATION IDENTIFICATION	N
3225	an..25	C Place/location identification	N
1131	an..3	C Code list qualifier	N
3055	an..3	C Code list responsible agency, coded	N
3224	an..70	C Place/location	N
C519		C RELATED LOCATION ONE IDENTIFICATION	N
3223	an..25	C Related place/location one identification	N
1131	an..3	C Code list qualifier	N
3055	an..3	C Code list responsible agency, coded	N
3222	an..70	C Related place/location one	N
C553		C RELATED LOCATION TWO IDENTIFICATION	N
3233	an..25	C Related place/location two identification	N
1131	an..3	C Code list qualifier	N
3055	an..3	C Code list responsible agency, coded	N
3232	an..70	C Related place/location two	N
5479	an..3	C RELATION, CODED	N

SG16 LOC-DTM-QTY

DTM DATE/TIME/PERIOD

Function: A segment specifying dates/times related to the quantity.

Usage : R..2

Notes : If the scheduled date can not be specified, code '100' should be used in DE 2005 and DE 2380 will specify the date at which no schedule date can be given (normally current date).

Ref.	Rep.	Name		EDIFICE Utilisation	
C507		M DATE/TIME/PERIOD	M	2 = Delivery date/time, requested 10 = Shipment date/time, requested 65 = Delivery date/time, 1st schedule Original schedule delivery date 67 = Delivery date/time, current schedule 68 = Shipment date/time, current schedule (*) 100 = No shipping schedule established as of date (*) 110 = Ship date, originally scheduled (*) EDIFICE code	
2005	an..3	M Date/time/period qualifier	M		
2380	an..35	C Date/time/period	R		
2379	an..3	C Date/time/period format qualifier	R		
					102 = CCYMMDD
					203 = CCYMMDDHHMM
					303 = CCYMMDDHHMMZZZ
					ZZZ = Time zone
					304 = CCYMMDDHHMMSSZZZ
					ZZZ = Time zone
				X03 = CCYMMDDHHMMZZZZ (*)	
				ZZZZZ = Time zone	
				X04 = CCYMMDDHHMMSSZZZZ (*)	
				ZZZZZ = Time zone	
				(*) EDIFICE code	

SG16 LOC-DTM-QTY

QTY QUANTITY

Function: A segment specifying a quantity.

Usage : R 1

Notes :

Ref.	Rep.	Name		EDIFICE Utilisation
C186		M QUANTITY DETAILS	M	
6063	an..3	M Quantity qualifier	R	11 = Split quantity 21 = Ordered quantity 113 = Quantity to be delivered 143 = Quantity remaining
6060	n..15	M Quantity	M	
6411	an..3	C Measure unit qualifier	N	

UNT MESSAGE TRAILER

Function: A service segment ending, and providing information for checking the completeness of a message.

Usage : M1

Notes : Refer to EDIFICE Utilisation of the UN/EDIFACT Service Segments, Issue EDSS04.

Ref.	Rep.	Name	EDIFICE Utilisation	
0074	n..6	M NUMBER OF SEGMENTS IN A MESSAGE	M	Count of all segments in the message, UNH and UNT included.
0062	an..14	M MESSAGE REFERENCE NUMBER	M	Must be the same reference number as in DE 0062 of the UNH segment of this message.

EXAMPLES

UNB+UNOC:3+123456789:1:X+987654321:1:X+021209:1520+66+X:AA+OSTRPT++1+X+1'
UNH+77+OSTRPT:D:97A:ED:EDOS02'
BGM+77+0001+8'
DTM+137:199802201845:203'
NAD+BY+BUYER-CODE::92'
NAD+SE+SELLER-CODE::92'
DOC+SO+SONUMBER1'
DTM+182:19970426:102'
CUX+2:FRF:9'
RFF+ON:PO12345'
LIN+1+O+1AB000125000:BP::92'
PIA+1+BAV7OLT1:VP::91'
QTY+143:15000:PCE'
DTM+DLU:19971102:102'
PRI+AAA:18.25:CT::1:PCE'
RFF+LI::01'
SCC+1'
LOC+ZZZ'
DTM+2:19971015:102'
QTY+21:15000'
LOC+ZZZ'
DTM+65:19971015:102'
DTM+67:19971015:102'
QTY+21:15000'
DOC+SO+SONUMBER2'
DTM+182:19971215:102'
CUX+2:FRF:9'
RFF+ON:POABCD'
LIN+1+O+1AB000125000:BP::92'
PIA+1+BAV7OLT1:VP::91'
QTY+143:5000:PCE'
DTM+DLU:19971215:102'
PRI+AAA:18.25:CT::1:PCE'
RFF+LI::04'
SCC+1'
LOC+ZZZ'
DTM+2:19980115:102'
QTY+21:10000'
LOC+ZZZ'
DTM+100:19980220:102'
QTY+143:5000'
UNT+41+77'
UNZ+1+66'