



EDIFICE Message Implementation Guideline
Inventory Report – Supplier to Distributor

INVRPT Issue EDSD03

Endorsed 27 November 2002

Based on UN/EDIFACT D.97A INVRPT Message

Copyright ©EDIFICE 2004

All rights reserved. No part of this publication may be reproduced or transmitted in any form or by any means without prior permission of EDIFICE.

Notwithstanding the fact that the utmost care has been observed in the collecting, drawing up and formulating of data, EDIFICE can under no circumstances be held liable for errors, omissions or misinterpretations as a result of the information compiled in the guidelines.

EDIFICE
The European B2B Forum for the Electronics Industry
EDIFICE secretariat
Dora Cresens
Tiensestraat 2
B-3320 Hoegaarden
Belgium
Tel: +32 16 76 54 40
Fax: +32 16 76 53 58
Email: Dora.Cresens@edifice.org

TABLE OF CONTENTS

<u>TITLE</u>	<u>PAGE</u>
COMPARISON TO PREVIOUS ISSUE	3
EDIFICE FUNCTIONAL DEFINITION	5
REFERENCES	6
EXPLANATORY NOTES	6
MESSAGE STRUCTURE CHART	7
BRANCHING DIAGRAM	8
SEGMENT GROUPS/SEGMENTS DESCRIPTION	9
UNH MESSAGE HEADER	11
BGM BEGINNING OF MESSAGE	12
DTM DATE/TIME/PERIOD	13
SG2 - NAD NAME AND ADDRESS	14
SG2 - LOC PLACE/LOCATION IDENTIFICATION	15
SG9 - LIN LINE ITEM	16
SG9 - PIA ADDITIONAL PRODUCT ID	17
SG11 - INV INVENTORY MANAGEMENT RELATED DETAILS	18
SG11 - QTY QUANTITY	19
SG11 - LOC PLACE/LOCATION IDENTIFICATION	20
SG11 - DTM DATE/TIME/PERIOD	21
UNT MESSAGE TRAILER	22
EXAMPLES	23-25

COMPARISON TO PREVIOUS ISSUE

12 May 2004 : EDIFIX 5.0 Technical Upgrade

- The 'KMT' qualifier in SEG QTY DE 6411 is now defined as (*) EDIFICE code. UN/ECE Recommendation 20 specifies 'KTM' as qualifier for 'kilometre'.
- The Association Assigned Code SG UNH DE 0057 was corrected : Changed from EDDS03 to EDSD03

21 May 2003 : EDIFIX 4.2 Technical upgrade; review and correction of examples

Issue EDSD03 of 13 November 2002 is based on UN/EDIFACT D97.A / Code List D01.A

- Addition of the following code value:
 - SG9, LIN segment, CO C212, DE 7143 code 'SRV' EAN.UCC Global Trade Item Number
 - SG9, PIA segment, CO C212, DE 7143 code 'SRV' EAN.UCC Global Trade Item Number
 - SG11, DTM segment, CO C507, DE 2379 code '804' Day

Issue EDSD02 of 29 May 2002 – addition of recommended set of DTM qualifiers

Issue EDSD02 of the INVRPT Supplier to Distributor message includes the changes that have been made to the issue 1 of the message endorsed by the EDIFICE Plenary on 29 November 1991. The changes are as follows:

- Recast from the 90.1 version of the UN/EDIFACT directory to the D.97A version,

- Addition of the following segments:

- SG9, LIN segment
- SG11, INV segment,

- Replacement of the following code values:

- Header, BGM segment, DE 1001, code '123' to '35' Inventory report
 - DE 1225, codes '00' to '9' Original
 - '04' to '4' Change
- DTM segment, DE 2005, code 'STA' to '366' Inventory report date
- SG2, NAD segment, DE 3035, code 'MF' to 'SE' Seller
- SG2, LOC segment, DE 3227, code '14' to '18' Warehouse
 - CO C517, DE 3055 code '94' to '92' Assigned by buyer or buyer's agent
- SG9, PIA segment, DE 4347, code '5' to '1' Additional identification
- SG11, QTY segment, CO C186, DE 6063, codes '69' to '99' Estimated quantity
 - '70' to '143' Quantity, remaining
 - '68' to 'LTQ' Lead time quantity
- SG11, DTM segment, CO C507, DE 2005, code 'STA' to '145' Event date
- SG11, LOC segment, DE 3227, code '14' to '18' Warehouse
 - CO C517, DE 3055 code '94' to '92' Assigned by buyer or buyer's agent,

- Addition of the following code values:

- Header, DTM segment, CO C507, DE 2005, code '137' Document/message date/time
 - DE 2379, codes '101' = YYMMDD
 - '102' = CCYYMMDD
 - '201' = YYMMDDHHMM
 - '203' = CCYYMMDDHHMM
 - '301' = YYMMDDHHMMZZZ
 - '303' = CCYYMMDDHHMMZZZ

- SG2, NAD segment, DE 3035, codes 'BY' Buyer
 - 'DP' Delivery party
 - CO C082, DE 3055, codes '9' EAN (International Article Numbering association)
 - '16' DUNS (Dun & Bradstreet)
 - '91' Assigned by seller or seller's agent
 - '92' Assigned by buyer or buyer's agent

- SG9, PIA segment, CO C212, DE 7140 codes 'BP' Buyer's part number
 - 'EN' International Article Numbering Association (EAN)
 - 'UP' UPC (Universal Product code)
 - 'VP' Vendor's (seller's) part number
 - DE 3055, codes '9', '16', '91', '92' (see above)

- SG11, DTM segment, CO C507, DE 2005 codes '158' Horizon start date
 - '159' Horizon end date
 - '169' Lead time
 - 'ASK' Lead time on request
 - DE 2379 codes as Header DTM and '803' Week,

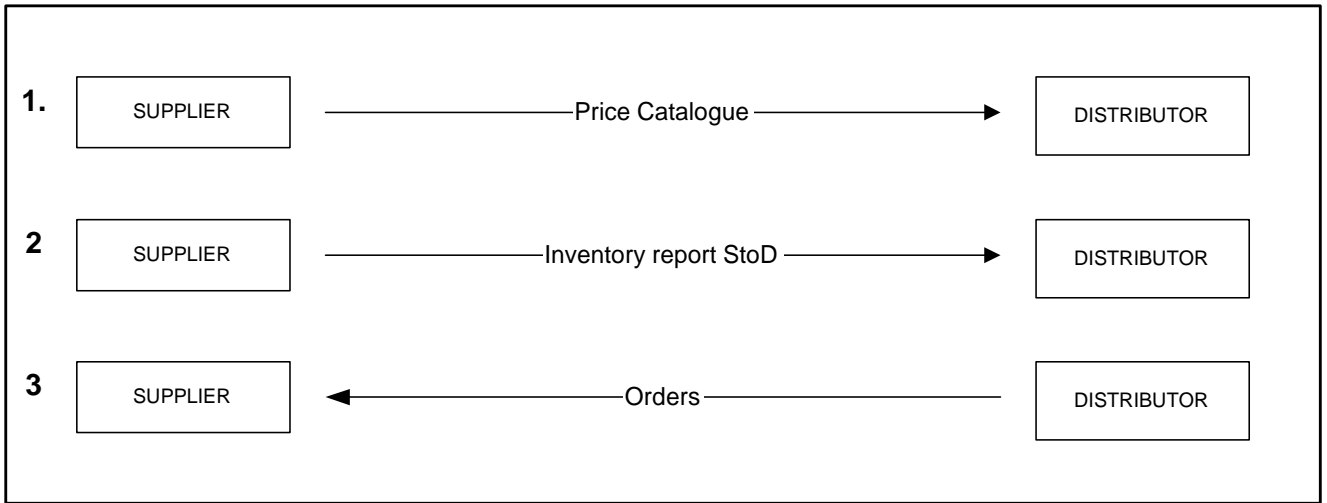
- Deletion of the following code values:

- SG9, PIA segment, CO C212, DE 7143, code 'MG',

- Usage changed for the following segment groups/segments:
 - Header DTM segment, from R1 to M..2
 - SG2, R1 to R..3
 - SG2, LOC segment, D1 to O1
 - SG9, R..99999 to R..999999
 - SG9, PIA segment, M1 to O..3
 - SG11, DTM segment, D1 to D..2
 - SG11, LOC segment, D1 to O1,
- Deletion of the following segment:
 - LTM segment,
- Alignment of segments and composite data elements to ensure conformance (data harmonization) across all EDIFICE Implementation Guidelines,
- Update of the REFERENCES and EXPLANATORY NOTES section to comply with the EDIFICE Standards for Documentation of Message Implementation Guidelines issue 3,
- Update of examples,
- Documentation adjustments resulting from the use of GEFEG's EdiFix Message Implementation Guidelines documentation tool,
- Correction of typographical errors.

EDIFICE FUNCTIONAL DEFINITION

Business flow diagram



Principles

The INVRPT StoD message is designed to facilitate the provision of information between a manufacturer (commonly referred to as a supplier) and a manufacturer's agent (commonly referred to as a distributor) on the status of the supplier's product lead time and/or availability.

The INVRPT StoD message supports Point 2. of the business flow above and is designed to transport information related to uniquely identified products. This information comprises but is not limited to:

- Product information,
- Seller and buyer information,
- Lead time information,
- Date horizon information,
- Availability information.

Usually, the INVRPT StoD message contains the same products as the distribution PRICAT message, so when, for example quarterly, the content of the PRICAT message changes (new products added and old products withdrawn), also the content of the full INVRPT StoD message will be different, hence the full refresh, which can be either scheduled or sent on request.

The INVRPT StoD message can be used to send variances or updates, for example on a daily basis.

To accommodate the above two scenarios, both 'change' and 'original' message types are catered for by the use of DE 1225 in the BGM segment.

REFERENCES

Refer to the document : Reference list for the EDIFICE message guidelines – Issue 1

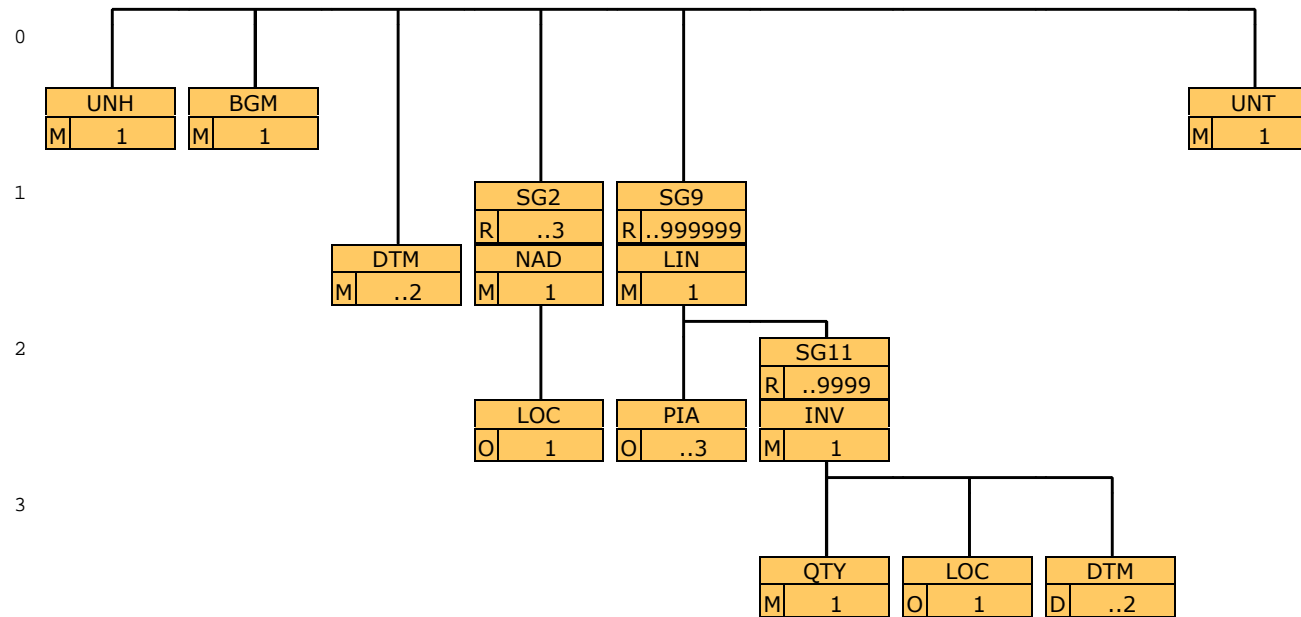
EXPLANATORY NOTES

Refer to the document : Explanatory notes for the EDIFICE message guidelines – Issue 1

MESSAGE STRUCTURE CHART

UNH	MESSAGE HEADER	M1
BGM	BEGINNING OF MESSAGE	M1
DTM	DATE/TIME/PERIOD	M..2
SG2		R..3
NAD	NAME AND ADDRESS	M1
LOC	PLACE/LOCATION IDENTIFICATION	O1
SG9		R..999999
LIN	LINE ITEM	M1
PIA	ADDITIONAL PRODUCT ID	O..3
SG11		R..9999
INV	INVENTORY MANAGEMENT RELATED DETAILS	M1
QTY	QUANTITY	M1
LOC	PLACE/LOCATION IDENTIFICATION	O1
DTM	DATE/TIME/PERIOD	D..2
UNT	MESSAGE TRAILER	M1

BRANCHING DIAGRAM



SEGMENT GROUPS/SEGMENTS DESCRIPTION

UNH MESSAGE HEADER

Function: A service segment heading, and uniquely identifying the message.
Usage: M1

BGM BEGINNING OF MESSAGE

Function: A segment uniquely identifying the message by means of its coded name, number and function.
Usage: M1

DTM DATE/TIME/PERIOD

Function: A segment specifying the date/time of creation of the message and the inventory report date.
Usage: M..2

SG2 NAD-LOC

Function: A group of segments identifying the parties involved and their associated information, relevant to the whole message.

Usage: R..3

Notes: If LOC is specified in SG2, it may be overridden by the information specified in LOC of SG11.

NAD NAME AND ADDRESS

Function: A segment identifying the function and coded identification, name and address of a party involved.
Usage: M1

LOC PLACE/LOCATION IDENTIFICATION

Function: A segment identifying a location or place required for the inventory concerned, relevant to the specified party.

Usage: O1

SG9 LIN-PIA-SG11

Function: A group of segments providing inventory details of the individual line items i.e. products supplied.

Usage: R..999999

Notes: At present the maximum number of occurrences of this segment group is 9999. EDIFICE has raised a DMR to increase the number of occurrences to 999999.

LIN LINE ITEM

Function: A segment identifying a line item by its item number, and agreed to be the primary reference number between the buyer and seller.

The segment also carries a sequence number assigned to the line item within the message.

Usage: M1

PIA ADDITIONAL PRODUCT ID

Function: A segment providing additional identification numbers for the line item.

Usage: O..3

SG11 INV-QTY-LOC-DTM

Function: A group of segments providing a quantity with all inventory management related information.

Usage: R..9999

Notes: If LOC is specified in SG11, it overrides the information specified in LOC of SG2.

The DTM segment is used to specify the date/time or lead time of the related quantity.

INV INVENTORY MANAGEMENT RELATED DETAILS

Function: A segment specifying the inventory status.

Usage: M1

QTY QUANTITY

Function: A segment specifying a quantity.
Usage: M1

LOC PLACE/LOCATION IDENTIFICATION

Function: A segment identifying a location or place required for the inventory concerned.
Usage: O1

DTM DATE/TIME/PERIOD

Function: A segment specifying the date/time or lead time as applied to the quantity.
Usage: D..2

UNT MESSAGE TRAILER

Function: A service segment ending, and providing information for checking the completeness of a message.
Usage: M1

SEGMENT DETAILS



UNH MESSAGE HEADER

Function: A service segment heading, and uniquely identifying the message.

Usage : M1

Notes : Refer to EDIFICE Utilisation of the UN/EDIFACT Service Segments, Issue EDSS04

Ref.	Rep.	Name		EDIFICE Utilisation
0062	an..14	M MESSAGE REFERENCE NUMBER	M	Transmission message count from 1
S009		M MESSAGE IDENTIFIER	M	
0065	an..6	M Message type identifier	M	INVRPT = Inventory report message
0052	an..3	M Message type version number	M	D = Draft version/UN/EDIFACT Directory
0054	an..3	M Message type release number	M	97A = Release 1997 - A
0051	an..2	M Controlling agency	M	UN = UN/CEFACT
0057	an..6	C Association assigned code	R	EDSD03 = Inventory report - StoD Issue EDSD03
0068	an..35	C COMMON ACCESS REFERENCE	N	
S010		C STATUS OF THE TRANSFER	N	
0070	n..2	M Sequence message transfer number	N	
0073	a1	C First/last sequence message transfer indication	N	

BGM BEGINNING OF MESSAGE

Function: A segment uniquely identifying the message by means of its coded name, number and function.

Usage : M1

Notes :

Ref.	Rep.	Name		EDIFICE Utilisation
C002		C DOCUMENT/MESSAGE NAME	R	
1001	an..3	C Document/message name, coded	R	35 = Inventory report
1131	an..3	C Code list qualifier	N	
3055	an..3	C Code list responsible agency, coded	N	
1000	an..35	C Document/message name	N	
C106		C DOCUMENT/MESSAGE IDENTIFICATION	R	
1004	an..35	C Document/message number	R	Inventory report number
1056	an..9	C Version	N	
1060	an..6	C Revision number	N	
1225	an..3	C MESSAGE FUNCTION, CODED	R	4 = Change Variances/updates e.g. daily 9 = Original Full refresh e.g. quarterly
4343	an..3	C RESPONSE TYPE, CODED	N	

DTM DATE/TIME/PERIOD

Function: A segment specifying the date/time of creation of the message and the inventory report date.

Usage : M..2

Notes : It is required to specify the date of creation of the message.

Ref.	Rep.	Name		EDIFICE Utilisation
C507		M DATE/TIME/PERIOD	M	
2005	an..3	M Date/time/period qualifier	M	137 = Document/message date/time Date when the document is created 366 = Inventory report date Stock date/validation date
2380	an..35	C Date/time/period	R	
2379	an..3	C Date/time/period format qualifier	R	102 = CCYYMMDD 203 = CCYYMMDDHHMM 303 = CCYYMMDDHHMMZZZ ZZZ = Time zone 304 = CCYYMMDDHHMMSSZZZ ZZZ = Time zone X03 = CCYYMMDDHHMMZZZZZ (*) ZZZZZ = Time zone X04 = CCYYMMDDHHMMSSZZZZZ (*) ZZZZZ = Time zone (*) EDIFICE code

SG2 NAD-LOC

NAD NAME AND ADDRESS

Function: A segment identifying the function and coded identification, name and address of a party involved.

Usage : M1

Notes : At least the buyer and the seller must be specified.

It is advised that the party identification CO C082 be used. When CO C082 cannot be used it is recommended to use the structured name and address CO C080 through DE 3207 rather than the unstructured one CO C058.

Ref.	Rep.	Name		EDIFICE Utilisation
3035	an..3	M PARTY QUALIFIER	M	BY = Buyer SE = Seller DP = Delivery party 9 = EAN (International Article Numbering association) 16 = DUNS (Dun & Bradstreet) 91 = Assigned by seller or seller's agent 92 = Assigned by buyer or buyer's agent
C082		C PARTY IDENTIFICATION DETAILS	A	
3039	an..35	M Party id. identification	M	
1131	an..3	C Code list qualifier	N	
3055	an..3	C Code list responsible agency, coded	R	
C058		C NAME AND ADDRESS	D	
3124	an..35	M Name and address line	M	
3124	an..35	C Name and address line	O	
3124	an..35	C Name and address line	O	
3124	an..35	C Name and address line	O	
C080		C PARTY NAME	D	
3036	an..35	M Party name	M	
3036	an..35	C Party name	O	
3036	an..35	C Party name	O	
3036	an..35	C Party name	O	
3036	an..35	C Party name	O	
3045	an..3	C Party name format, coded	N	
C059		C STREET	D	
3042	an..35	M Street and number/p.o. box	M	
3042	an..35	C Street and number/p.o. box	O	
3042	an..35	C Street and number/p.o. box	O	
3042	an..35	C Street and number/p.o. box	O	
3164	an..35	C CITY NAME	D	
3229	an..9	C COUNTRY SUB-ENTITY IDENTIFICATION	D	
3251	an..9	C POSTCODE IDENTIFICATION	D	
3207	an..3	C COUNTRY, CODED	D	Use ISO 3166, 2 alpha code

SG2 NAD-LOC

LOC PLACE/LOCATION IDENTIFICATION

Function: A segment identifying a location or place required for the inventory concerned, relevant to the specified party.

Usage : 01

Notes :

Ref.	Rep.	Name	EDIFICE Utilisation	
3227	an..3	M PLACE/LOCATION QUALIFIER	M	18 = Warehouse It is advised that DE 3225 be used together with DE 3055 rather than DE 3224.
C517		C LOCATION IDENTIFICATION	R	
3225	an..25	C Place/location identification	A	91 = Assigned by seller or seller's agent
1131	an..3	C Code list qualifier	N	
3055	an..3	C Code list responsible agency, coded	D	
3224	an..70	C Place/location	D	
C519		C RELATED LOCATION ONE IDENTIFICATION	N	
3223	an..25	C Related place/location one identification	N	
1131	an..3	C Code list qualifier	N	
3055	an..3	C Code list responsible agency, coded	N	
3222	an..70	C Related place/location one	N	
C553		C RELATED LOCATION TWO IDENTIFICATION	N	
3233	an..25	C Related place/location two identification	N	
1131	an..3	C Code list qualifier	N	
3055	an..3	C Code list responsible agency, coded	N	
3232	an..70	C Related place/location two	N	
5479	an..3	C RELATION, CODED	N	

SG9 LIN-PIA-SG11
LIN LINE ITEM

Function: A segment identifying a line item by its item number, and agreed to be the primary reference number between the buyer and seller.

The segment also carries a sequence number assigned to the line item within the message.

Usage : M1

Notes :

Ref.	Rep.	Name	EDIFICE Utilisation
1082	an..6	C LINE ITEM NUMBER	R It is required to assign a number to the line items within a message. The number is assigned by the sender of the message. The first line item within a message will be numbered 1 and further line items will be incremented by 1 for each new line.
1229	an..3	C ACTION REQUEST/NOTIFICATION, CODED	N
C212		C ITEM NUMBER IDENTIFICATION	R
7140	an..35	C Item number	R Primary reference
7143	an..3	C Item number type, coded	R BP = Buyer's part number EN = International Article Numbering Association (EAN) SRV = EAN.UCC Global Trade Item Number UP = UPC (Universal product code) VP = Vendor's (seller's) part number
1131	an..3	C Code list qualifier	N
3055	an..3	C Code list responsible agency, coded	R 9 = EAN (International Article Numbering association) 91 = Assigned by seller or seller's agent 92 = Assigned by buyer or buyer's agent 113 = US, UCC (Uniform Code Council)
C829		C SUB-LINE INFORMATION	N
5495	an..3	C Sub-line indicator, coded	N
1082	an..6	C Line item number	N
1222	n..2	C CONFIGURATION LEVEL	N
7083	an..3	C CONFIGURATION, CODED	N

SG9 LIN-PIA-SG11**PIA ADDITIONAL PRODUCT ID**

Function: A segment providing additional identification numbers for the line item.

Usage : 0..3

Notes : The 5 internal repetitions of CO C212 may be used, but EDIFICE recommends to only use the first occurrence.

Ref.	Rep.	Name		EDIFICE Utilisation	
4347	an..3	M PRODUCT ID. FUNCTION QUALIFIER	M	1 = Additional identification BP = Buyer's part number EN = International Article Numbering Association (EAN) SRV = EAN.UCC Global Trade Item Number UP = UPC (Universal product code) VP = Vendor's (seller's) part number	
C212		M ITEM NUMBER IDENTIFICATION	M		
7140	an..35	C Item number	R		
7143	an..3	C Item number type, coded	R		
1131	an..3	C Code list qualifier	N		
3055	an..3	C Code list responsible agency, coded	R		
C212		C ITEM NUMBER IDENTIFICATION	O		As for first CO C212
7140	an..35	C Item number	R		
7143	an..3	C Item number type, coded	R		
1131	an..3	C Code list qualifier	N		
3055	an..3	C Code list responsible agency, coded	R		
C212		C ITEM NUMBER IDENTIFICATION	O	As for first CO C212	
7140	an..35	C Item number	R		
7143	an..3	C Item number type, coded	R		
1131	an..3	C Code list qualifier	N		
3055	an..3	C Code list responsible agency, coded	R		
C212		C ITEM NUMBER IDENTIFICATION	O	As for first CO C212	
7140	an..35	C Item number	R		
7143	an..3	C Item number type, coded	R		
1131	an..3	C Code list qualifier	N		
3055	an..3	C Code list responsible agency, coded	R		
C212		C ITEM NUMBER IDENTIFICATION	O	As for first CO C212	
7140	an..35	C Item number	R		
7143	an..3	C Item number type, coded	R		
1131	an..3	C Code list qualifier	N		
3055	an..3	C Code list responsible agency, coded	R		

SG11 INV-QTY-LOC-DTM

INV INVENTORY MANAGEMENT RELATED DETAILS

Function: A segment specifying the inventory status.

Usage : M1

Notes :

Ref.	Rep.	Name		EDIFICE Utilisation
4501	an..3	C INVENTORY MOVEMENT DIRECTION, CODED	N	2 = Formal inventory balance Status
7491	an..3	C TYPE OF INVENTORY AFFECTED, CODED	N	
4499	an..3	C REASON FOR INVENTORY MOVEMENT, CODED	N	
4503	an..3	C INVENTORY BALANCE METHOD, CODED	R	
C522		C INSTRUCTION	N	
4403	an..3	M Instruction qualifier	N	
4401	an..3	C Instruction, coded	N	
1131	an..3	C Code list qualifier	N	
3055	an..3	C Code list responsible agency, coded	N	
4400	an..35	C Instruction	N	

SG11 INV-QTY-LOC-DTM

QTY QUANTITY

Function: A segment specifying a quantity.

Usage : M1

Notes : Where a lead time applies to a quantity range specify the maximum quantity in DE 6060 and use code 'LTQ' in DE 6063.

Where a lead time does not apply to a specific quantity enter zero in DE 6060 and code 'LTQ' in DE 6063.

Where the product is considered to be on allocation use code 'LTQ' in DE 6063 and enter zero in DE 6060. The data elements within the DTM segment should contain the following values: '169' in DE 2005, '99' in DE 2380 and '803' in DE 2379.

Where no lead time can be given use code 'LTQ' in DE 6063 and enter zero in DE 6060. Within the DTM segment use code 'ASK' in DE 2005. DE 2380 and DE 2379 are not used.

When codes '17' or '143' are used in DE 6063, the DTM segment in this segment group does not need to be sent as the inventory report date (code '366' in DE 2005) specified in the header DTM segment applies.

Ref.	Rep.	Name	EDIFICE Utilisation
C186		M QUANTITY DETAILS	M
6063	an..3	M Quantity qualifier	M
6060	n..15	M Quantity	M
6411	an..3	C Measure unit qualifier	R

17 = Quantity on hand
 99 = Estimated quantity
 Anticipated quantity
 143 = Quantity, remaining
 LTQ = Lead time quantity (*)
 (*) EDIFICE code

Use the following codes from UN/ECE Recommendation no.20, Codes for Units of Measurement:
 CLT = centilitre
 CMT = centimetre
 GRM = gram
 KGM = kilogram
 KMT = kilometre (*)
 LTR = litre
 MGM = milligram
 MMT = millimetre
 MTK = square metre
 MTQ = cubic metre
 MTR = metre
 PCE = piece (*)
 (*) EDIFICE code, not included in UN/ECE Recommendation No. 20
 Other codes should be previously agreed between trading partners.

SG11 INV-QTY-LOC-DTM

LOC PLACE/LOCATION IDENTIFICATION

Function: A segment identifying a location or place required for the inventory concerned.

Usage : 01

Notes :

Ref.	Rep.	Name		EDIFICE Utilisation
3227	an..3	M PLACE/LOCATION QUALIFIER	M	18 = Warehouse It is advised that DE 3225 be used together with DE 3055 rather than DE 3224.
C517		C LOCATION IDENTIFICATION	R	
3225	an..25	C Place/location identification	A	91 = Assigned by seller or seller's agent
1131	an..3	C Code list qualifier	N	
3055	an..3	C Code list responsible agency, coded	D	
3224	an..70	C Place/location	D	
C519		C RELATED LOCATION ONE IDENTIFICATION	O	
3223	an..25	C Related place/location one identification	O	
1131	an..3	C Code list qualifier	O	
3055	an..3	C Code list responsible agency, coded	O	
3222	an..70	C Related place/location one	O	
C553		C RELATED LOCATION TWO IDENTIFICATION	N	
3233	an..25	C Related place/location two identification	N	
1131	an..3	C Code list qualifier	N	
3055	an..3	C Code list responsible agency, coded	N	
3232	an..70	C Related place/location two	N	
5479	an..3	C RELATION, CODED	N	

SG11 INV-QTY-LOC-DTM**DTM DATE/TIME/PERIOD**

Function: A segment specifying the date/time or lead time as applied to the quantity.

Usage : D..2

Notes : For guidance on the use of this segment please refer to the SG11 QTY notes.

Ref.	Rep.	Name		EDIFICE Utilisation
C507		M DATE/TIME/PERIOD	M	
2005	an..3	M Date/time/period qualifier	M	145 = Event date 158 = Horizon start date 159 = Horizon end date 169 = Lead time ASK = Lead time on request (*) (*) EDIFICE code
2380	an..35	C Date/time/period	D	
2379	an..3	C Date/time/period format qualifier	D	102 = CCYMMDD 203 = CCYMMDDHHMM 303 = CCYMMDDHHMMZZZ ZZZ = Time zone 304 = CCYMMDDHHMMSSZZZ ZZZ = Time zone 803 = Week 804 = Day X03 = CCYMMDDHHMMZZZZZ (*) ZZZZZ = Time zone X04 = CCYMMDDHHMMSSZZZZZ (*) ZZZZZ = Time zone (*) EDIFICE code

UNT MESSAGE TRAILER

Function: A service segment ending, and providing information for checking the completeness of a message.

Usage : M1

Notes : Refer to EDIFICE Utilisation of the UN/EDIFACT Service Segments, Issue EDSS04.

Ref.	Rep.	Name	EDIFICE Utilisation	
0074	n..6	M NUMBER OF SEGMENTS IN A MESSAGE	M	Count of all segments in the message, UNH and UNT included.
0062	an..14	M MESSAGE REFERENCE NUMBER	M	Must be the same reference number as in DE 0062 of the UNH segment of this message.

EXAMPLES

EXAMPLE 1 - Time-phased availability

UNB+UNOC:3+234567891:1:X+198765432:1:X+971201:1924+66+X:AA+INVRPT++1+X+1'
UNH+1+INVRPT:D:97A:UN:EDSD03'
BGM+35+REPORT-1+4' Daily variance
DTM+137:19980701:102'
DTM+366:199806301845:203'
NAD+BY+BUYER-CODE-1::92'
NAD+SE+SELLER-CODE::91'
LOC+18+ELC::91'
LIN+1+++PRODUCT-1:VP::91' For PRODUCT-1:

INV++++2'
QTY+143:123:PCE' 123 units available to sell

INV++++2'
QTY+99:2500:PCE' 2500 units to become available by 7/7/1998
DTM+145:19980707:102'

INV++++2'
QTY+99:5000:PCE' Additional 5000 units to become available by 8/8/1998
DTM+145:19980808:102'
INV++++2'
QTY+99:10000:PCE' Additional 10000 units to become available by 9/9/1998
DTM+145:19980909:102'
LIN+2+++PRODUCT-2:VP::91' For PRODUCT-2:

INV++++2'
QTY+143:99:PCE' 99 units available to sell

LIN+3+++PRODUCT-3:VP::91' For PRODUCT-:

INV++++2'
QTY+LTQ:0:PCE' No units available, lead time on request
DTM+ASK'
UNT+27+1'
UNZ+1+66'

EXAMPLE 2 - Availability and general lead time

UNB+UNOC:3+234567891:1:X+198765432:1:X+971201:1924+66+X:AA+INVRPT++1+X+1'
UNH+1+INVRPT:D:97A:UN:EDSD03'
BGM+35+REPORT-2+4' Daily variance
DTM+137:19980701:102'
DTM+366:199806301845:203'
NAD+BY+BUYER-CODE-1::92'
NAD+SE+SELLER-CODE::91'
LOC+18+ELC::91'
LIN+1+++PRODUCT-1:VP::91' For PRODUCT-1:

INV++++2'
QTY+143:123:PCE' 123 units available

INV++++2'
QTY+LTQ:0:PCE'
DTM+169:4:803' The lead time for any quantity is 4 weeks

LIN+2+++PRODUCT-2:VP::91' For PRODUCT-2:

INV++++2'
QTY+LTQ:0:PCE'
DTM+169:8:803' The lead time for any quantity is 8 weeks

LIN+3+++PRODUCT-3:VP::91' For PRODUCT-3:

INV++++2'
QTY+LTQ:0:PCE' No units available, lead time on request
DTM+ASK' Lead time on request

UNT+22+1'
UNZ+1+66'

EXAMPLE 3 - Lead times per quantity range

UNB+UNOC:3+234567891:1:X+198765432:1:X+971201:1924+66+X:AA+INVRPT+++1+X+1'
UNH+1+INVRPT:D:97A:UN:EDSD03'
BGM+35+REPORT-3+4' Daily variance
DTM+137:19980701:102'
DTM+366:199806301845:203'
NAD+BY+BUYER-CODE-1::92'
NAD+SE+SELLER-CODE::91'
LOC+18+ELC::91'
LIN+1+++PRODUCT-1:VP::91' For PRODUCT-1:

INV++++2'
QTY+LTQ:100:PCE' Quantity range from 1 to 100
DTM+169:4:803' 4 weeks lead time

INV++++2'
QTY+LTQ:1000:PCE' Quantity range from 101 to 1000
DTM+169:8:803' 8 weeks lead time

INV++++2'
QTY+LTQ:10000:PCE' Quantity range from 1001 to 10000
DTM+ASK' No leadtime specified

LIN+2+++PRODUCT-2:VP::91' For PRODUCT-2:

INV++++2'
QTY+LTQ:100:PCE' Quantity range from 1 to 100
DTM+169:1:803' 1 week lead time

INV++++2'
QTY+LTQ:1000:PCE' Quantity range from 101 to 1000
DTM+169:3:803' 3 weeks lead time

INV++++2'
QTY+LTQ:1000:PCE' Quantity range from 1001 to 10000
DTM+169:5:803' 5 weeks lead time

UNT+28+1'
UNZ+1+66'