



The European B2B Forum for the Electronics Industry

EDIFICE Message Implementation Guideline

International Forward & Transport Message, arrival notice

IFTMAN Issue EDAN02

Endorsed 28 November 2001

Based on UN/EDIFACT D.97A IFTMAN Message

Copyright ©EDIFICE 2004

All rights reserved. No part of this publication may be reproduced or transmitted in any form or by any means without prior permission of EDIFICE.

Notwithstanding the fact that the utmost care has been observed in the collecting, drawing up and formulating of data, EDIFICE can under no circumstances be held liable for errors, omissions or misinterpretations as a result of the information compiled in the guidelines.

EDIFICE
The European B2B Forum for the Electronics Industry
EDIFICE secretariat
Dora Cresens
Tiensestraat 2
B-3320 Hoegaarden
Belgium
Tel: +32 16 76 54 40
Fax: +32 16 76 53 58
Email: Dora.Cresens@edifice.org

TABLE OF CONTENTS

<u>TITLE</u>	<u>PAGE</u>
COMPARISON TO PREVIOUS ISSUE	3
EDIFICE FUNCTIONAL DEFINITION	4
REFERENCES	5
EXPLANATORY NOTES	5
MESSAGE STRUCTURE CHART	6
BRANCHING DIAGRAM	7
SEGMENT GROUPS/SEGMENTS DESCRIPTION	9
UNH MESSAGE HEADER	13
BGM BEGINNING OF MESSAGE	14
DTM DATE/TIME/PERIOD	15
MOA MONETARY AMOUNT	16
CNT CONTROL TOTAL	17
SG3 - RFF REFERENCE	18
SG3 - DTM DATE/TIME/PERIOD	19
SG8 - TDT DETAILS OF TRANSPORT	20
SG9 - LOC PLACE/LOCATION IDENTIFICATION	21
SG9 - DTM DATE/TIME/PERIOD	22
SG11 - NAD NAME AND ADDRESS	23
SG12 - CTA CONTACT INFORMATION	24
SG12 - COM COMMUNICATION CONTACT	25
SG15 - RFF REFERENCE	26
SG18 - GID GOODS ITEMS DETAILS	27
SG18 - FTX FREE TEXT	29
SG19 - NAD NAME AND ADDRESS	30
SG19 - DTM DATE/TIME/PERIOD	31
SG20 - MEA MEASUREMENTS	32
SG21 - DIM DIMENSIONS	33
SG23 - PCI PACKAGE IDENTIFICATION	34
SG23 - GIN GOODS IDENTITY NUMBER	35
UNT MESSAGE TRAILER	36
EXAMPLES	37 - 39

COMPARISON TO PREVIOUS ISSUE

21 May 2003 : - EDIFIX 4.2 Technical upgrade; review and correction of examples

29 May 2002 – recommended set of DTM qualifiers

9 November 2001 : Issue EDAN02 Addition of the UN/EDIFACT qualifiers related to License Plate included in the UN/EDIFACT D.01A Code list.

- Addition of the following code values:

SG23, GIN segment, DE 7405, codes 'VZ' = Transport unit identification according to ISO/IEC

15459 - Data Identifier 'J'

'WA' = Indivisible transport unit according to ISO/IEC

15459 - Data Identifier '1J'

'WB' = Divisible transport unit according to ISO/IEC 15459

Data Identifier '2J'

- The examples have been updated according the additional qualifiers for license plate.

24 November 1999 :

Addition of UN/ECE Recommendation No 21 qualifiers in SG18 GID C213/7065

BA = Barrel

CN = Container (*)

PE = Pallet (*)

RO = Roll

(*) EDIFICE code, not included in UN/ECE Recommendation No. 21

EDIFICE FUNCTIONAL DEFINITION

Introduction

A message from the party providing forwarding and/or transport services to the party such as has been indicated in the contract, giving notice and details of the arrival of the consignment.

The message also caters for both the 'replace' and 'cancellation' functions by the use of the appropriate codes in the BGM segment.

The message is sent from the freight forwarder to the consignee and other interested parties such as the consignor and the customs broker.

It is recommended that when the seller's/consignor's unique shipment number (used in the DESADV and/or IFTMIN messages) is known to the party sending an IFTMAN message, that number should be referenced in the RFF segment at header level.

This would simplify processes for the buyer/consignee as he will be able to link despatched goods in the DESADV message with arrived goods in the IFTMAN message.

Principles

- Goods items:
 - Several goods items may be in one consignment.
 - Goods items may be transported in containers.
 - A goods item may be transported in one or more containers, and a single container may contain one or more goods items.
 - One goods item may be related to one or more customs tariff codes.
 - Goods items related to one customs tariff code may be carried in one or more containers.

REFERENCES

Refer to the document : Reference list for the EDIFICE message guidelines – Issue 1

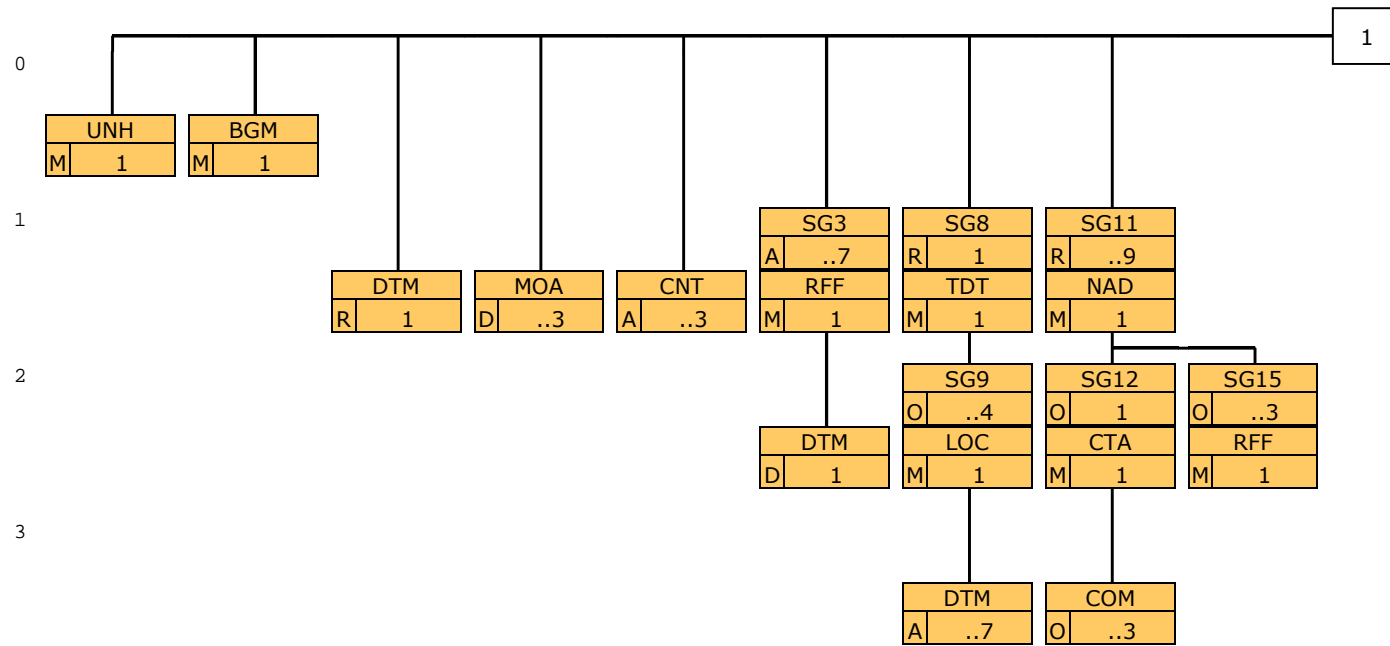
EXPLANATORY NOTES

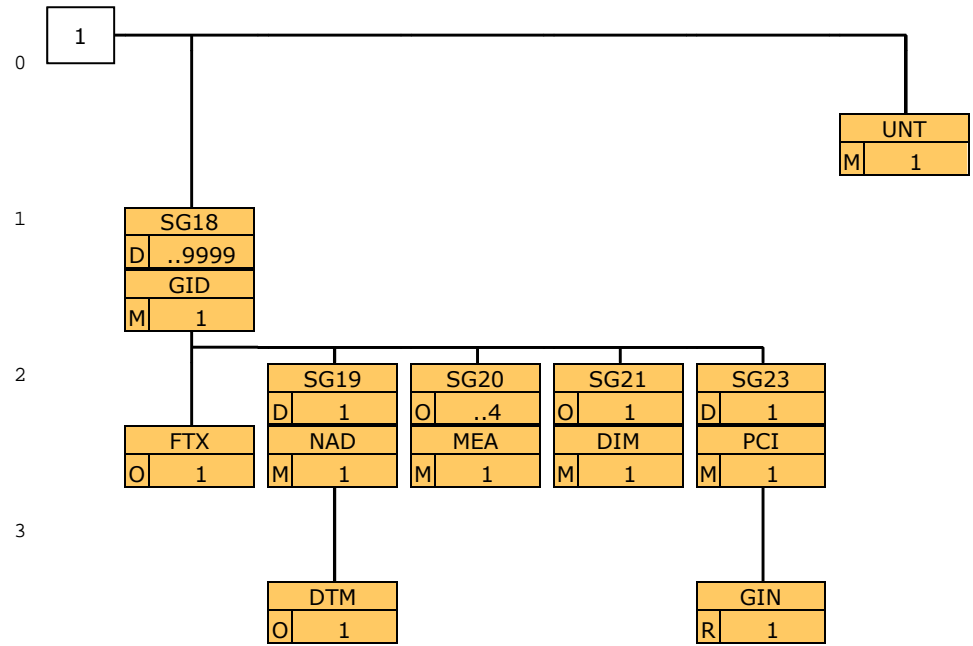
Refer to the document : Explanatory notes for the EDIFICE message guidelines – Issue 1

MESSAGE STRUCTURE CHART

UNH	MESSAGE HEADER	M1
BGM	BEGINNING OF MESSAGE	M1
DTM	DATE/TIME/PERIOD	R1
MOA	MONETARY AMOUNT	D..3
CNT	CONTROL TOTAL	A..3
SG3		A..7
RFF	REFERENCE	M1
DTM	DATE/TIME/PERIOD	D1
SG8		R1
TDT	DETAILS OF TRANSPORT	M1
SG9		O..4
LOC	PLACE/LOCATION IDENTIFICATION	M1
DTM	DATE/TIME/PERIOD	A..7
SG11		R..9
NAD	NAME AND ADDRESS	M1
SG12		O1
CTA	CONTACT INFORMATION	M1
COM	COMMUNICATION CONTACT	O..3
SG15		O..3
RFF	REFERENCE	M1
SG18		D..9999
GID	GOODS ITEM DETAILS	M1
FTX	FREE TEXT	O1
SG19		D1
NAD	NAME AND ADDRESS	M1
DTM	DATE/TIME/PERIOD	O1
SG20		O..4
MEA	MEASUREMENTS	M1
SG21		O1
DIM	DIMENSIONS	M1
SG23		D1
PCI	PACKAGE IDENTIFICATION	M1
GIN	GOODS IDENTITY NUMBER	R1
UNT	MESSAGE TRAILER	M1

BRANCHING DIAGRAM





SEGMENT GROUPS/SEGMENTS DESCRIPTION

UNH MESSAGE HEADER

Function: A service segment heading, and uniquely identifying the message.
Usage: M1

BGM BEGINNING OF MESSAGE

Function: A segment uniquely identifying the message by means of its coded name, number and function.
Usage: M1

DTM DATE/TIME/PERIOD

Function: A segment specifying the date/time of creation of the message.
Usage: R 1

MOA MONETARY AMOUNT

Function: A segment specifying a monetary amount for the entire consignment.
Usage: D..3

CNT CONTROL TOTAL

Function: A segment specifying the weight, volume and quantity of the packages within the consignment.
Usage: A..3

SG3 RFF-DTM

Function: A group of segments referencing documents and their dates/times, relating to the whole message.
Usage: A..7
Notes: The DTM segment must be sent where local law requires the date of a reference document to be sent.

RFF REFERENCE

Function: A segment specifying a document reference number.
Usage: M1

DTM DATE/TIME/PERIOD

Function: A segment specifying the date/time of the reference document.
Usage: D 1

SG8 TDT-SG9

Function: A group of segments specifying transport details.
Usage: R 1
Notes:

TDT DETAILS OF TRANSPORT

Function: A segment specifying the stage and mode of transport, the identification of the means of transport, and if necessary the carrier information.
Usage: M1

SG9 LOC-DTM

Function: A group of segments specifying a location and date/time related to the stage of transport.
Usage: O..4
Notes:

LOC PLACE/LOCATION IDENTIFICATION

Function: A segment identifying the location.
Usage: M1

DTM DATE/TIME/PERIOD

Function: A segment specifying the date/time for the specified location.
Usage: A..7

SG11 NAD-SG12-SG15

Function: A group of segments identifying the parties involved and their associated information, relevant to the whole message.
Usage: R..9
Notes: As a minimum the NAD segments identifying the consignee (CN) and the consignor (CZ) must be present. If the goods items specified in SG18 (GID segment) have different delivery addresses, the relevant addresses need to be specified in the NAD segment in SG19 and not here.

NAD NAME AND ADDRESS

Function: A segment identifying the function and coded identification, name and address of a party involved.
Usage: M1

SG12 CTA-COM

Function: A group of segments giving contact details of the specific person or department within the identified party involved, to whom communication should be directed.
Usage: O1
Notes:

CTA CONTACT INFORMATION

Function: A segment identifying a person or department, and their function.
Usage: M1

COM COMMUNICATION CONTACT

Function: A segment identifying a communications type and number.
Usage: O..3

SG15 RFF

Function: A group of segments giving references relating to the identified party.
Usage: O..3
Notes:

RFF REFERENCE

Function: A segment specifying a company specific reference.
Usage: M1

SG18 GID-FTX-SG19-SG20-SG21-SG23

Function: A group of segments providing details of goods item i.e. shippable units/packages and its material content.
Usage: D..9999
Notes: SG18 is dependent on the message function stated in the BGM segment.
When an original message or a replace is sent, this group of segments is required, but when a cancellation is sent, it is not required.
SG19 is used when goods items have different pick-up and/or delivery addresses.
The usage of SG23 is dependent on the existence of a package identification (license plate) on the package.

At present the maximum occurrence of SG18 is 999. EDIFICE has raised a DMR to increase the number of occurrences to 9999.

GID GOODS ITEM DETAILS

Function: A segment describing the number and package type for the goods item.
The segment also carries a sequence number assigned to the goods item within the message.
Usage: M1

FTX FREE TEXT

Function: A segment providing a high level description of the material, contained within the shippable unit/package.
Usage: O 1

SG19 NAD-DTM

Function: A group of segments identifying the delivery party, and related date/time for the goods item.
Usage: D 1
Notes: If the goods item specified in SG18 (GID segment) have the same delivery address, this address should be specified in the NAD segment in SG11 and not here.

NAD NAME AND ADDRESS

Function: A segment identifying the delivery party.
Usage: M 1

DTM DATE/TIME/PERIOD

Function: A segment specifying date/time relating to the delivery party.
Usage: O 1

SG20 MEA

Function: A group of segments specifying measurements, other than dimensions, applicable to a goods item.
Usage: O..4
Notes:

MEA MEASUREMENTS

Function: A segment specifying measurements.
Usage: M 1

SG21 DIM

Function: A group of segments specifying dimensions applicable to a goods item or part of a goods item.
Usage: O 1
Notes:

DIM DIMENSIONS

Function: A segment specifying dimensions.
Usage: M 1

SG23 PCI-GIN

Function: A group of segments specifying packaging identification numbers.
Usage: D 1
Notes: When this information is barcoded, it must be preceded by the appropriate data identifiers.

PCI PACKAGE IDENTIFICATION

Function: A segment specifying packaging identification numbers for the goods item.
Usage: M 1

GIN GOODS IDENTITY NUMBER

Function: A segment specifying the licence plate number.
Usage: R 1

UNT MESSAGE TRAILER

Function: A service segment ending, and providing information for checking the completeness of a message.
Usage: M 1

SEGMENT DETAILS



UNH MESSAGE HEADER

Function: A service segment heading, and uniquely identifying the message.

Usage : M1

Notes : Refer to EDIFICE Utilisation of the UN/EDIFACT Service Segments, Issue EDSS04

Ref.	Rep.	Name		EDIFICE Utilisation
0062	an..14	M MESSAGE REFERENCE NUMBER	M	Transmission message count from 1
S009		M MESSAGE IDENTIFIER	M	
0065	an..6	M Message type identifier	M	IFTMAN = Arrival notice message
0052	an..3	M Message type version number	M	D = Draft version/UN/EDIFACT Directory
0054	an..3	M Message type release number	M	97A = Release 1997 - A
0051	an..2	M Controlling agency	M	UN = UN/CEFACT
0057	an..6	C Association assigned code	R	EDAN02 = International Forward & transport message, arrival notice Issue EDAN02
0068	an..35	C COMMON ACCESS REFERENCE	N	
S010		C STATUS OF THE TRANSFER	N	
0070	n..2	M Sequence message transfer number	N	
0073	a1	C First/last sequence message transfer indication	N	

BGM BEGINNING OF MESSAGE

Function: A segment uniquely identifying the message by means of its coded name, number and function.

Usage : M1

Notes : Cancellation:

When DE 1225 contains '1' then only the BGM, DTM, SG8 TDT and SG11 NAD segments need be sent in the message.

The document number used in DE 1004 must be the same as in the original message.

Replace:

When DE 1225 contains '5' it has the effect of cancelling the original message and replacing it with this, so the entire message must be sent. The document number used in DE 1004 must be the same as in the original message.

Ref.	Rep.	Name		EDIFICE Utilisation
C002		C DOCUMENT/MESSAGE NAME	R	
1001	an..3	C Document/message name, coded	R	781 = Arrival notice (goods)
1131	an..3	C Code list qualifier	N	
3055	an..3	C Code list responsible agency, coded	N	
1000	an..35	C Document/message name	N	
C106		C DOCUMENT/MESSAGE IDENTIFICATION	R	
1004	an..35	C Document/message number	R	Message number, assigned by the sender's system.
1056	an..9	C Version	N	
1060	an..6	C Revision number	N	
1225	an..3	C MESSAGE FUNCTION, CODED	R	1 = Cancellation 5 = Replace 9 = Original
4343	an..3	C RESPONSE TYPE, CODED	N	

DTM DATE/TIME/PERIOD

Function: A segment specifying the date/time of creation of the message.

Usage : R 1

Notes : All dates and times are local.

Ref.	Rep.	Name		EDIFICE Utilisation
C507		M DATE/TIME/PERIOD	M	
2005	an..3	M Date/time/period qualifier	M	137 = Document/message date/time Date when the document is created
2380	an..35	C Date/time/period	R	
2379	an..3	C Date/time/period format qualifier	R	102 = CCYMMDD 203 = CCYMMDDHHMM 303 = CCYMMDDHHMMZZZ ZZZ = Time zone 304 = CCYMMDDHHMMSSZZZ ZZZ = Time zone X03 = CCYMMDDHHMMZZZZZ (*) ZZZZZ = Time zone X04 = CCYMMDDHHMMSSZZZZZ (*) ZZZZZ = Time zone (*) EDIFICE code

MOA MONETARY AMOUNT

Function: A segment specifying a monetary amount for the entire consignment.

Usage : D..3

Notes : The MOA segment must be sent if a service requiring a monetary amount to be specified, has to be rendered.

Ref.	Rep.	Name	EDIFICE Utilisation	
C516		M MONETARY AMOUNT	M	
5025	an..3	M Monetary amount type qualifier	M	22 = Cash on delivery amount 64 = Freight charge 160 = Other costs
5004	n..18	C Monetary amount	R	
6345	an..3	C Currency, coded	R	Use ISO 4217, 3 alpha code
6343	an..3	C Currency qualifier	N	
4405	an..3	C Status, coded	O	1 = Customs valuation currency 4 = Invoicing currency

CNT CONTROL TOTAL

Function: A segment specifying the weight, volume and quantity of the packages within the consignment.

Usage : A ..3

Notes :

Ref.	Rep.	Name		EDIFICE Utilisation
C270		M CONTROL	M	
6069	an..3	M Control qualifier	M	7 = Total gross weight 11 = Total number of packages 15 = Total consignment, cube Total volume.
6066	n..18	M Control value	M	
6411	an..3	C Measure unit qualifier	R	Use the following codes from UN/ECE Recommendation no.20, Codes for Units of Measurement: CMQ = cubic centimetre FTQ = cubic foot INQ = inch cubed KGM = kilogram LBR = pound MTQ = cubic metre PCE = piece (*) (*) EDIFICE code, not included in UN/ECE Recommendation No. 20

SG3 RFF-DTM**RFF REFERENCE**

Function: A segment specifying a document reference number.

Usage : M1

Notes :

Ref.	Rep.	Name		EDIFICE Utilisation
C506		M REFERENCE	M	
1153	an..3	M Reference qualifier	M	AAM = Waybill number AAS = Transport document number ABT = Customs declaration number AWB = Air waybill number BM = Bill of lading number CMR = Road consignment note number CT = Contract number FF = Freight forwarder's reference number HWB = House waybill number MWB = Master air waybill number ON = Order number (purchase) SRN = Shipment reference number VN = Order number (vendor)
1154	an..35	C Reference number	R	
1156	an..6	C Line number	N	
4000	an..35	C Reference version number	N	

SG3 RFF-DTM

DTM DATE/TIME/PERIOD

Function: A segment specifying the date/time of the reference document.

Usage : D1

Notes : All dates and times are local.

Ref.	Rep.	Name	EDIFICE Utilisation
C507		M DATE/TIME/PERIOD	M
2005	an..3	M Date/time/period qualifier	M
2380	an..35	C Date/time/period	R
2379	an..3	C Date/time/period format qualifier	R
			171 = Reference date/time 102 = CCYYMMDD 203 = CCYYMMDDHHMM 303 = CCYYMMDDHHMMZZZ ZZZ = Time zone 304 = CCYYMMDDHHMMSSZZZ ZZZ = Time zone X03 = CCYYMMDDHHMMZZZZZ (*) ZZZZZ = Time zone X04 = CCYYMMDDHHMMSSZZZZZ (*) ZZZZZ = Time zone (*) EDIFICE code

SG8 TDT-SG9

TDT DETAILS OF TRANSPORT

Function: A segment specifying the stage and mode of transport, the identification of the means of transport, and if necessary the carrier information.

Usage : M1

Notes : DE 8028 may be used to reference a current transport stage as identified in DE 8051, if this information is already known e.g. flight number.
Identification such as vehicle licence plate number may be provided in CO C222 DE 8212.

Ref.	Rep.	Name		EDIFICE Utilisation
8051	an..3	M TRANSPORT STAGE QUALIFIER	M	20 = Main-carriage transport
8028	an..17	C CONVEYANCE REFERENCE NUMBER	A	Used for Flight or Voyage number.
C220		C MODE OF TRANSPORT	R	
8067	an..3	C Mode of transport, coded	R	The following codes are taken from the UN/ECE Recommendation No 19. 1 = Maritime transport 2 = Rail transport 3 = Road transport 4 = Air transport 6 = Multimodal transport
8066	an..17	C Mode of transport	N	
C228		C TRANSPORT MEANS	N	
8179	an..8	C Type of means of transport identification	N	
8178	an..17	C Type of means of transport	N	
C040		C CARRIER	A	
3127	an..17	C Carrier identification	A	Mutually defined code
1131	an..3	C Code list qualifier	N	
3055	an..3	C Code list responsible agency, coded	A	3 = IATA (International Air Transport Association) 9 = EAN (International Article Numbering association) 11 = Lloyd's register of shipping 16 = DUNS (Dun & Bradstreet) 91 = Assigned by seller or seller's agent 92 = Assigned by buyer or buyer's agent 166 = US, National Motor Freight Classification Association
3128	an..35	C Carrier name	D	Used if no coded name is exchanged.
8101	an..3	C TRANSIT DIRECTION, CODED	N	
C401		C EXCESS TRANSPORTATION INFORMATION	N	
8457	an..3	M Excess transportation reason, coded	N	
8459	an..3	M Excess transportation responsibility, coded	N	
7130	an..17	C Customer authorization number	N	
C222		C TRANSPORT IDENTIFICATION	A	
8213	an..9	C Id. of means of transport identification	N	
1131	an..3	C Code list qualifier	N	
3055	an..3	C Code list responsible agency, coded	N	
8212	an..35	C Id. of the means of transport	A	Vessel name or vehicle license number.
8453	an..3	C Nationality of means of transport, coded	O	Use ISO 3166, 2 alpha code
8281	an..3	C TRANSPORT OWNERSHIP, CODED	N	

SG9 LOC-DTM

LOC PLACE/LOCATION IDENTIFICATION

Function: A segment identifying the location.

Usage : M1

Notes :

Ref.	Rep.	Name		EDIFICE Utilisation
3227	an..3	M PLACE/LOCATION QUALIFIER	M	8 = Place of destination 11 = Place/port of discharge 17 = Border crossing place 24 = Port of entry
C517		C LOCATION IDENTIFICATION	R	
3225	an..25	C Place/location identification	R	Use UN/ECE recommendation No 16 UN/LOCODE. If not applicable use appropriate code set in combination with DE 1131 and DE 3055.
1131	an..3	C Code list qualifier	D	
3055	an..3	C Code list responsible agency, coded	D	Examples of codes are: 3 = IATA (International Air Transport Association) 91 = Assigned by seller or seller's agent 92 = Assigned by buyer or buyer's agent
3224	an..70	C Place/location	O	
C519		C RELATED LOCATION ONE IDENTIFICATION	N	
3223	an..25	C Related place/location one identification	N	
1131	an..3	C Code list qualifier	N	
3055	an..3	C Code list responsible agency, coded	N	
3222	an..70	C Related place/location one	N	
C553		C RELATED LOCATION TWO IDENTIFICATION	N	
3233	an..25	C Related place/location two identification	N	
1131	an..3	C Code list qualifier	N	
3055	an..3	C Code list responsible agency, coded	N	
3232	an..70	C Related place/location two	N	
5479	an..3	C RELATION, CODED	N	

SG9 LOC-DTM

DTM DATE/TIME/PERIOD

Function: A segment specifying the date/time for the specified location.

Usage : A..7

Notes : All dates and times are local.

At present the maximum occurrence of this segment is 1. EDIFICE has raised a DMR to increase the number of occurrences to 7.

Ref.	Rep.	Name		EDIFICE Utilisation
C507		M DATE/TIME/PERIOD	M	58 = Clearance date (Customs) 132 = Arrival date/time, estimated Date/time when carrier estimates when a means of transport should arrive at port of discharge or place of destination. 143 = Acceptance date/time of goods Date on which the goods are taken over by the carrier at the place of acceptance. 151 = Importation date 178 = Arrival date/time, actual 204 = Release date (Customs) 219 = Crossborder date/time
2005	an..3	M Date/time/period qualifier	M	
2380	an..35	C Date/time/period	R	102 = CCYMMDD 203 = CCYMMDDHHMM 303 = CCYMMDDHHMMZZZ ZZZ = Time zone 304 = CCYMMDDHHMMSSZZZ ZZZ = Time zone X03 = CCYMMDDHHMMZZZZZ (*) ZZZZZ = Time zone X04 = CCYMMDDHHMMSSZZZZZ (*) ZZZZZ = Time zone (*) EDIFICE code
2379	an..3	C Date/time/period format qualifier	R	

SG11 NAD-SG12-SG15
NAD NAME AND ADDRESS

Function: A segment identifying the function and coded identification, name and address of a party involved.

Usage : M1

Notes : It is advised that the party identification CO C082 be used. When CO C082 cannot be used it is recommended to use the structured name and address CO C080 through DE 3207 rather than the unstructured one CO C058.

Ref.	Rep.	Name		EDIFICE Utilisation
3035	an..3	M PARTY QUALIFIER	M	BY = Buyer CA = Carrier CN = Consignee CZ = Consignor DP = Delivery party This is the ship-to address. FP = Freight/charges payer FW = Freight forwarder NI = Notify party SE = Seller
C082		C PARTY IDENTIFICATION DETAILS	A	
3039	an..35	M Party id. identification	M	
1131	an..3	C Code list qualifier	N	
3055	an..3	C Code list responsible agency, coded	R	9 = EAN (International Article Numbering association) 16 = DUNS (Dun & Bradstreet) 91 = Assigned by seller or seller's agent 92 = Assigned by buyer or buyer's agent
C058		C NAME AND ADDRESS	D	
3124	an..35	M Name and address line	M	
3124	an..35	C Name and address line	O	
3124	an..35	C Name and address line	O	
3124	an..35	C Name and address line	O	
3124	an..35	C Name and address line	O	
C080		C PARTY NAME	D	
3036	an..35	M Party name	M	
3036	an..35	C Party name	O	
3036	an..35	C Party name	O	
3036	an..35	C Party name	O	
3036	an..35	C Party name	O	
3045	an..3	C Party name format, coded	N	
C059		C STREET	D	
3042	an..35	M Street and number/p.o. box	M	
3042	an..35	C Street and number/p.o. box	O	
3042	an..35	C Street and number/p.o. box	O	
3042	an..35	C Street and number/p.o. box	O	
3164	an..35	C CITY NAME	D	
3229	an..9	C COUNTRY SUB-ENTITY IDENTIFICATION	D	
3251	an..9	C POSTCODE IDENTIFICATION	D	
3207	an..3	C COUNTRY, CODED	D	Use ISO 3166, 2 alpha code

SG12 CTA-COM**CTA CONTACT INFORMATION**

Function: A segment identifying a person or department, and their function.

Usage : M1

Notes :

Ref.	Rep.	Name	EDIFICE Utilisation	
3139	an..3	C CONTACT FUNCTION, CODED	R	IC = Information contact If a code is available use DE 3413, otherwise use DE 3412.
C056		C DEPARTMENT OR EMPLOYEE DETAILS	R	
3413	an..17	C Department or employee identification	D	
3412	an..35	C Department or employee	D	

SG12 CTA-COM

COM COMMUNICATION CONTACT

Function: A segment identifying a communications type and number.

Usage : 0..3

Notes :

Ref.	Rep.	Name		EDIFICE Utilisation
C076		M COMMUNICATION CONTACT	M	
3148	an..512	M Communication number	M	
3155	an..3	M Communication channel qualifier	M	EM = Electronic mail FX = Telefax TE = Telephone

SG15 RFF**RFF REFERENCE**

Function: A segment specifying a company specific reference.

Usage : M1

Notes :

Ref.	Rep.	Name		EDIFICE Utilisation
C506		M REFERENCE	M	ADE = Account number AGB = Contract party reference number ERN = Exporter's reference number VA = VAT registration number
1153	an..3	M Reference qualifier	M	
1154	an..35	C Reference number	R	
1156	an..6	C Line number	N	
4000	an..35	C Reference version number	N	

SG18 GID-FTX-SG19-SG20-SG21-SG23

GID GOODS ITEM DETAILS

Function: A segment describing the number and package type for the goods item.
The segment also carries a sequence number assigned to the goods item within the message.

Usage : M1

Notes :

Ref.	Rep.	Name	EDIFICE Utilisation	
1496	n..5	C GOODS ITEM NUMBER	R	Number generated by the application of the sender to identify the goods item within the Arrival notice message. It is recommended to start with value 1 for DE 1496 and to increment it by 1 for each new goods item within the message. The following codes are taken from the UN/ECE Recommendation No 21. If not applicable use appropriate code set in combination with DE 1131 and DE 3055. BA = Barrel BE = Bundle BG = Bag BX = Box CG = Cage CR = Crate CS = Case CT = Carton DR = Drum EN = Envelope NE = Unpacked or unpackaged PC = Parcel PK = Packages RL = Reel RO = Roll SW = Shrinkwrapped TU = Tube (*) EDIFICE code, not included in UN/ECE Recommendation No.21
C213		C NUMBER AND TYPE OF PACKAGES	R	
7224	n..8	C Number of packages	R	
7065	an..17	C Type of packages identification	A	
1131	an..3	C Code list qualifier	D	
3055	an..3	C Code list responsible agency, coded	D	
7064	an..35	C Type of packages	D	
7233	an..3	C Packaging related information, coded	N	
C213		C NUMBER AND TYPE OF PACKAGES	N	
7224	n..8	C Number of packages	N	
7065	an..17	C Type of packages identification	N	
1131	an..3	C Code list qualifier	N	
3055	an..3	C Code list responsible agency, coded	N	
7064	an..35	C Type of packages	N	
7233	an..3	C Packaging related information, coded	N	
C213		C NUMBER AND TYPE OF PACKAGES	N	
7224	n..8	C Number of packages	N	
7065	an..17	C Type of packages identification	N	
1131	an..3	C Code list qualifier	N	
3055	an..3	C Code list responsible agency, coded	N	
7064	an..35	C Type of packages	N	
7233	an..3	C Packaging related information, coded	N	
C213		C NUMBER AND TYPE OF PACKAGES	N	
7224	n..8	C Number of packages	N	
7065	an..17	C Type of packages identification	N	
1131	an..3	C Code list qualifier	N	
7064	an..35	C Type of packages	N	
7233	an..3	C Packaging related information, coded	N	
C213		C NUMBER AND TYPE OF PACKAGES	N	
7224	n..8	C Number of packages	N	
7065	an..17	C Type of packages identification	N	
1131	an..3	C Code list qualifier	N	

Ref.	Rep.	Name	EDIFICE Utilisation	
3055	an..3	C Code list responsible agency, coded	N	
7064	an..35	C Type of packages	N	
7233	an..3	C Packaging related information, coded	N	
C213		C NUMBER AND TYPE OF PACKAGES	N	
7224	n..8	C Number of packages	N	
7065	an..17	C Type of packages identification	N	
1131	an..3	C Code list qualifier	N	
3055	an..3	C Code list responsible agency, coded	N	
7064	an..35	C Type of packages	N	
7233	an..3	C Packaging related information, coded	N	

SG18 GID-FTX-SG19-SG20-SG21-SG23**FTX FREE TEXT**

Function: A segment providing a high level description of the material, contained within the shippable unit/package.

Usage : 01

Notes :

Ref.	Rep.	Name		EDIFICE Utilisation
4451	an..3	M TEXT SUBJECT QUALIFIER	M	AAA = Goods description
4453	an..3	C TEXT FUNCTION, CODED	N	
C107		C TEXT REFERENCE	N	
4441	an..17	M Free text identification	N	
1131	an..3	C Code list qualifier	N	
3055	an..3	C Code list responsible agency, coded	N	
C108		C TEXT LITERAL	R	
4440	an..70	M Free text	M	
4440	an..70	C Free text	O	
4440	an..70	C Free text	O	
4440	an..70	C Free text	O	
4440	an..70	C Free text	O	
3453	an..3	C LANGUAGE, CODED	N	

SG19 NAD-DTM

NAD NAME AND ADDRESS

Function: A segment identifying the delivery party.

Usage : M1

Notes : It is advised that the party identification CO C082 be used. When CO C082 cannot be used it is recommended to use the structured name and address CO C080 through DE 3207 rather than the unstructured one CO C058.

Ref.	Rep.	Name		EDIFICE Utilisation
3035	an..3	M PARTY QUALIFIER	M	DP = Delivery party Several drop off points for the same consignee. This is the 'ship to' address.
C082		C PARTY IDENTIFICATION DETAILS	A	
3039	an..35	M Party id. identification	M	
1131	an..3	C Code list qualifier	N	
3055	an..3	C Code list responsible agency, coded	R	9 = EAN (International Article Numbering association) 16 = DUNS (Dun & Bradstreet) 91 = Assigned by seller or seller's agent 92 = Assigned by buyer or buyer's agent
C058		C NAME AND ADDRESS	D	
3124	an..35	M Name and address line	M	
3124	an..35	C Name and address line	O	
3124	an..35	C Name and address line	O	
3124	an..35	C Name and address line	O	
3124	an..35	C Name and address line	O	
C080		C PARTY NAME	D	
3036	an..35	M Party name	M	
3036	an..35	C Party name	O	
3036	an..35	C Party name	O	
3036	an..35	C Party name	O	
3036	an..35	C Party name	O	
3045	an..3	C Party name format, coded	N	
C059		C STREET	D	
3042	an..35	M Street and number/p.o. box	M	
3042	an..35	C Street and number/p.o. box	O	
3042	an..35	C Street and number/p.o. box	O	
3042	an..35	C Street and number/p.o. box	O	
3164	an..35	C CITY NAME	D	
3229	an..9	C COUNTRY SUB-ENTITY IDENTIFICATION	D	
3251	an..9	C POSTCODE IDENTIFICATION	D	
3207	an..3	C COUNTRY, CODED	D	Use ISO 3166, 2 alpha code

SG19 NAD-DTM

DTM DATE/TIME/PERIOD

Function: A segment specifying date/time relating to the delivery party.

Usage : 01

Notes : All dates and times are local.

Ref.	Rep.	Name		EDIFICE Utilisation
C507		M DATE/TIME/PERIOD	M	
2005	an..3	M Date/time/period qualifier	M	191 = Delivery date/time, expected
2380	an..35	C Date/time/period	R	
2379	an..3	C Date/time/period format qualifier	R	102 = CCYMMDD 203 = CCYMMDDHHMM 303 = CCYMMDDHHMMZZZ ZZZ = Time zone 304 = CCYMMDDHHMMSSZZZ ZZZ = Time zone X03 = CCYMMDDHHMMZZZZZ (*) ZZZZZ = Time zone X04 = CCYMMDDHHMMSSZZZZZ (*) ZZZZZ = Time zone (*) EDIFICE code

SG20 MEA

MEA MEASUREMENTS

Function: A segment specifying measurements.

Usage : M1

Notes :

Ref.	Rep.	Name		EDIFICE Utilisation
6311	an..3	M MEASUREMENT PURPOSE QUALIFIER	M	CHW = Chargeable weight LMT = Loading meters VOL = Volume WT = Weights
C502		C MEASUREMENT DETAILS	R	
6313	an..3	C Property measured, coded	R	AAA = Unit net weight AAB = Unit gross weight AAC = Total net weight Net weight AAK = Loading meter AAW = Gross volume
6321	an..3	C Measurement significance, coded	N	
6155	an..17	C Measurement attribute identification	N	
6154	an..70	C Measurement attribute	N	
C174		C VALUE/RANGE	R	
6411	an..3	M Measure unit qualifier	M	Use the following codes from UN/ECE Recommendation no.20, Codes for Units of Measurement: CMQ = cubic centimetre FTQ = cubic foot INQ = inch cubed KGM = kilogram LBR = pound MTQ = cubic metre MTR = metre
6314	an..18	C Measurement value	R	
6162	n..18	C Range minimum	N	
6152	n..18	C Range maximum	N	
6432	n..2	C Significant digits	N	
7383	an..3	C SURFACE/LAYER INDICATOR, CODED	N	

SG21 DIM

DIM DIMENSIONS

Function: A segment specifying dimensions.

Usage : M1

Notes :

Ref.	Rep.	Name		EDIFICE Utilisation
6145	an..3	M DIMENSION QUALIFIER	M	1 = Gross dimensions Use the following codes from UN/ECE Recommendation no.20, Codes for Units of Measurement: CMT = centimetre INH = inch MTR = metre
C211		M DIMENSIONS	M	
6411	an..3	M Measure unit qualifier	M	
6168	n..15	C Length dimension	R	
6140	n..15	C Width dimension	R	
6008	n..15	C Height dimension	R	

SG23 PCI-GIN

PCI PACKAGE IDENTIFICATION

Function: A segment specifying packaging identification numbers for the goods item.

Usage : M1

Notes : The value entered in this segment is only used to enable access to the following segment within this segment group.

Ref.	Rep.	Name		EDIFICE Utilisation
4233	an..3	C MARKING INSTRUCTIONS, CODED	R	24 = Shipper assigned
C210		C MARKS & LABELS	N	
7102	an..35	M Shipping marks	N	
7102	an..35	C Shipping marks	N	
7102	an..35	C Shipping marks	N	
7102	an..35	C Shipping marks	N	
7102	an..35	C Shipping marks	N	
7102	an..35	C Shipping marks	N	
7102	an..35	C Shipping marks	N	
7102	an..35	C Shipping marks	N	
7102	an..35	C Shipping marks	N	
7102	an..35	C Shipping marks	N	
7102	an..35	C Shipping marks	N	
7102	an..35	C Shipping marks	N	
8275	an..3	C CONTAINER/PACKAGE STATUS, CODED	N	
C827		C TYPE OF MARKING	N	
7511	an..3	M Type of marking, coded	N	
1131	an..3	C Code list qualifier	N	
3055	an..3	C Code list responsible agency, coded	N	

SG23 PCI-GIN**GIN GOODS IDENTITY NUMBER**

Function: A segment specifying the licence plate number.

Usage : R 1

Notes : When using bar coding this information relates to the appropriate data identifiers that indicate License plate.

Ref.	Rep.	Name	EDIFICE Utilisation
7405	an..3	M IDENTITY NUMBER QUALIFIER	M ML = Marking/label number VZ = Transport unit identification according to ISO/IEC 15459 WA = Indivisible transport unit according to ISO/IEC 15459 WB = Divisible transport unit according to ISO/IEC 15459
C208		M IDENTITY NUMBER RANGE	M The first DE 7402 in the composite data element is the start of the consecutively numbered range, the second DE 7402 indicates the end of the range. If there is no range only the first DE 7402 is used. If the identity numbers are not sequential and part of a series (e.g. 1,3,10) then a separate CO C208 and DE 7402 must be used for each identity number.
7402	an..35	M Identity number	M
7402	an..35	C Identity number	D
C208		C IDENTITY NUMBER RANGE	O As for first CO C208
7402	an..35	M Identity number	M
7402	an..35	C Identity number	D
C208		C IDENTITY NUMBER RANGE	O As for first CO C208
7402	an..35	M Identity number	M
7402	an..35	C Identity number	D
C208		C IDENTITY NUMBER RANGE	O As for first CO C208
7402	an..35	M Identity number	M
7402	an..35	C Identity number	D
C208		C IDENTITY NUMBER RANGE	O As for first CO C208
7402	an..35	M Identity number	M
7402	an..35	C Identity number	D

UNT MESSAGE TRAILER

Function: A service segment ending, and providing information for checking the completeness of a message.

Usage : M1

Notes : Refer to EDIFICE Utilisation of the UN/EDIFACT Service Segments, Issue EDSS04.

Ref.	Rep.	Name	EDIFICE Utilisation	
0074	n..6	M NUMBER OF SEGMENTS IN A MESSAGE	M	Count of all segments in the message, UNH and UNT included.
0062	an..14	M MESSAGE REFERENCE NUMBER	M	Must be the same reference number as in DE 0062 of the UNH segment of this message.

EXAMPLES

EXAMPLE 1 - International shipment arriving by air.

This example shows an Arrival Notice for an air shipment. If more than one main-carriage transport leg, only the last one has to be shown.

The delivery point address is indicated for each package.

It is recommended that when the consignor's shipment number is known to the party sending an IFTMAN message, that number should be inserted in the IFTMAN, RFF segment, qualifier SRN.

UNB+UNOC:3+123456789:1:X+987654321:1:X+021209:1909+88+X:AA+IFTMAN++1+X+1'	
UNH+3451+IFTMAN:D:97A:UN:EDAN02'	Message header
BGM+781+123654+9'	Message number
DTM+137:200102110930:203'	Creation date/time
MOA+64:2100:USD'	Freight charge
CNT+7:334:KGM'	Total gross weight
CNT+11:2:PCE'	Total number of packages
CNT+15:1.152:MTQ'	Total volume
RFF+SRN:927655'	Shipment reference number
RFF+AWB:220-11223344'	AWB number
TDT+20+LH7766+4++LH::3'	Main-carriage transport
LOC+8+NYC::3'	Place of destination
DTM+58:20010212:102'	Customs clearance date
DTM+178:200102111940:203'	Actual arrival date/time
NAD+SE+SELLER-001::91'	Seller's code
NAD+CZ+CONSIGNOR-01::91'	Consignor's code
NAD+BY+BUYER-001::92'	Buyer's code
NAD+CN+CONSIGNEE-01::91'	Consignee's code
NAD+FW+FORWARDER-01::91'	Freight forwarder's code
GID+1+1:CS'	One case
FTX+AAA+++MACHINE PARTS'	Goods description
NAD+DP+897123::92'	Delivery address, coded
DTM+191:200102120830:203'	Expected delivery date/time
MEA+WT+AAB+KGM:167'	Gross weight in kilos.
MEA+VOL+AAW+MTQ:0.576'	Gross volume in cubic metres
DIM+1+CMT:120:80:60'	Dimensions in centimetres
PCI+24'	Trigger for package number (license plate)
GIN+WA+LEABC123882'	Package number - License plate
GID+2+1:CS'	One case
FTX+AAA+++MACHINE PARTS'	Goods description
NAD+DP+897654::92'	Delivery address, coded
DTM+191:200102120830:203'	Expected delivery date/time
MEA+WT+AAB+KGM:167'	Gross weight in kilos.
MEA+VOL+AAW+MTQ:0.576'	Gross volume in cubic metres
DIM+1+CMT:120:80:60'	Dimensions in centimetres
PCI+24'	Trigger for package number (license plate)
GIN+WA+LEABC554677'	Package number - License plate
UNT+37+3451'	
UNZ+1+88'	

EXAMPLE 2 - Use of Cancellation option

This is a cancellation message for the shipment in example 1.

UNB+UNOC:3+123456789:1:X+987654321:1:X+021209:1909+88+X:AA+IFTMAN++1+X+1'	Message header
UNH+3452+IFTMAN:D:97A:UN:EDAN02'	Message number
BGM+781+123654+9'	Creation date/time
DTM+137:200102110930:203'	Main-carriage transport
TDT+20+LH7766+4++LH::3'	Seller's code
NAD+SE+SELLER-001::91'	Consignor's code
NAD+CZ+CONSIGNOR-01::91'	Buyer's code
NAD+BY+BUYER-001::92'	Consignee's code
NAD+CN+CONSIGNEE-01::91'	Freight forwarder's code
NAD+FW+FORWARDER-01::91'	
UNT+10+3452'	
UNZ+1+88'	

EXAMPLE 3 - Use of Replace option

This is a replace message for the shipment in example 1.
The customs clearance date and expected delivery dates have been changed.

UNB+UNOC:3+123456789:1:X+987654321:1:X+021209:1909+88+X:AA+IFTMAN++1+X+1'	
UNH+3453+IFTMAN:D:97A:UN:EDAN02'	Message header
BGM+781+123654+5'	Message number
DTM+137:200102110930:203'	Creation date/time
MOA+64:2100:USD'	Freight charge
CNT+7:334:KGM'	Total gross weight
CNT+11:2:PCE'	Total number of packages
CNT+15:1.152:MTQ'	Total volume
RFF+SRN:927655'	Shipment reference number
RFF+AWB:220-11223344'	AWB number
TDT+20+LH7766+4++LH::3'	Main-carriage transport
LOC+8+NYC::3'	Place of destination
DTM+58:20010213:102'	Customs clearance date
DTM+178:200102111940:203'	Actual arrival date/time
NAD+SE+SELLER-001::91'	Seller's code
NAD+CZ+CONSIGNOR-01::91'	Consignor's code
NAD+BY+BUYER-001::92'	Buyer's code
NAD+CN+CONSIGNEE-01::91'	Consignee's code
NAD+FW+FORWARDER-01::91'	Freight forwarder's code
GID+1+1:CS'	One case
FTX+AAA+++MACHINE PARTS'	Goods description
NAD+DP+897123::92'	Delivery address, coded
DTM+191:200102130830:203'	Expected delivery date/time
MEA+WT+AAB+KGM:167'	Gross weight in kilos.
MEA+VOL+AAW+MTQ:0.576'	Gross volume in cubic metres
DIM+1+CMT:120:80:60'	Dimensions in centimetres
PCI+24'	Trigger for package number (license plate)
GIN+WA+LEABC123882'	Package number - License plate
GID+2+1:CS'	One case
FTX+AAA+++MACHINE PARTS'	Goods description
NAD+DP+897654::92'	Delivery address, coded
DTM+191:200102130830:203'	Expected delivery date/time
MEA+WT+AAB+KGM:167'	Gross weight in kilos.
MEA+VOL+AAW+MTQ:0.576'	Gross volume in cubic metres
DIM+1+CMT:120:80:60'	Dimensions in centimetres
PCI+24'	Trigger for package number (license plate)
GIN+WA+LEABC554677'	Package number - License plate
UNT+37+3453'	
UNZ+1+88'	