



IMPLEMENTATION GUIDELINE

ooOoo

TRADITIONAL INVOICE

ooOoo

VERSION 1

ooOoo

BASED ON

EDIFICE D.97A INVOIC MESSAGE, ISSUE EDIN03

Copyright 1998
Texas Instruments Incorporated
All Rights Reserved

The information and/or drawings set forth in this document and all rights in and to inventions disclosed herein and patents which might be granted there on disclosing and employing the materials, methods, techniques, or apparatus described herein are exclusive property of Texas Instruments Incorporated.

This document can be found on the World Wide Web from
<http://www.ti.com/sc/docs/scedi/techpaks/sctepak.htm>

TABLE OF CONTENTS

TITLE	PAGE
INTRODUCTION	3
COMPARISON TO PREVIOUS ISSUE	4
FUNCTIONAL DEFINITION	5
REFERENCES	6
EXPLANATORY NOTES	7
MESSAGE STRUCTURE CHART	9
BRANCHING DIAGRAM	10
SEGMENT GROUPS/SEGMENTS DESCRIPTION	13
UNH MESSAGE HEADER	18
BGM BEGINNING OF MESSAGE	19
DTM DATE/TIME/PERIOD	20
SG1 - RFF REFERENCE	21
SG2 - NAD NAME AND ADDRESS	22
SG3 - RFF REFERENCE	23
SG5 - CTA CONTACT INFORMATION	24
SG7 - CUX CURRENCIES	25
SG25 - LIN LINE ITEM	26
SG25 - PIA ADDITIONAL PRODUCT ID	27
SG25 - QTY QUANTITY DETAILS	28
SG26 - MOA MONETARY AMOUNT	29
SG28 - PRI PRICE DETAILS	30
SG29 - RFF REFERENCE	31
SG33 - TAX DUTY/TAX/FEE DETAILS	32
SG33 - MOA MONETARY AMOUNT	33
SG38 - ALC ALLOWANCE OR CHARGE	34
SG41 - MOA MONETARY AMOUNT	35
SG47 - RCS REQUIREMENTS AND CONDITIONS	36
SG47 - FTX FREE TEXT	37
UNS SECTION CONTROL	38
SG49 - MOA MONETARY AMOUNT	39
SG51 - TAX DUTY/TAX/FEE DETAILS	40
SG51 - MOA MONETARY AMOUNT	41
SG52 - ALC ALLOWANCE OR CHARGE	42
SG52 - MOA MONETARY AMOUNT	43
UNT MESSAGE TRAILER	44
EXAMPLES	45

INTRODUCTION

This guide was developed by members of the Texas Instruments EDI message development Group. It is based on the guide developed by members of the Electronics Industry through the associations representing Europe (EDIFICE), Japan (EIAJ), and the USA (EIDX). It represents and is specific to the usage as specified by Texas Instruments.

COMPARISON TO PREVIOUS ISSUE

There are no previous issues.

- Where UN/ECE Recommendations are referenced the most commonly used codes have been identified,
- Alignment of segments and composite data elements to ensure conformance (data harmonization) across all EDIFICE Implementation Guidelines,
- Update of the REFERENCES and EXPLANATORY NOTES section to comply with the EDIFICE Standards for Documentation of Message Implementation Guidelines issue 3,
- Update of examples,
- Documentation adjustments resulting from the use of GEFEG's EdiFix Message Implementation Guidelines documentation tool,
- Correction of typographical errors.

FUNCTIONAL DEFINITION

The principle function of the invoice message is a claim for payment for goods or services supplied under conditions agreed between supplier and customer. The message is sent by the supplier to the customer.

The following other functions are also provided for in this guideline:

- credit note - for communicating details of an amount credited to the trading account by the supplier (other than that resulting from a payment by the customer).
- debit note - for communicating details of an amount debited to the trading account by the supplier (other than an invoice for goods or services supplied).

This usage has been created with the intention of satisfying about eighty percent of the electronics industry EDI invoicing requirements. It is a 'core' set of segments for the invoice transaction. During the development of this document it has been recognised that there are further requirements that are special to certain areas of the electronics industry. These requirements will need to be considered under a separate document.

Amounts are expressed in a single reference currency for the whole message. Rates of exchange may be given for the conversion of amounts in the reference currency to amounts in a target currency.

The message can be used both for international (cross border) and domestic invoicing.

For a domestic invoice which is denominated in a foreign currency the VAT is handled as follows:

- All values in the invoice are specified in the foreign currency.
- The totals of goods values, VAT and invoice total are also specified in local currency.
- The message must contain an invoicing currency, target currency, and rate of exchange to allow invoice total amount, total line items amount and total tax amounts to be sent in both currencies.

REFERENCES

- UN/EDIFACT DIRECTORY D.97A 1996-12-10
- DRAFT RECOMMENDATION INVOICE MESSAGE
 - Message Type : INVOIC
 - Version : D
 - Release : 97A
 - Controlling Agency : UN
 - Revision : 6
 - Date : 96-12-13
 - DATA SEGMENTS DIRECTORY
 - COMPOSITE DATA ELEMENTS DIRECTORY
 - DATA ELEMENTS DIRECTORY
 - CODE LISTS

ISO Standards

- ISO 9735 UN/EDIFACT - Applications level syntax rules
 - First edition 1988-07-15
 - Amended and Reprinted 1990-11-15
 - ISO 639 Code for the Representation of Names of Languages
 - Date : 1988
 - ISO 3166 Code for the Representation of Names of Countries
 - Date : 1993
 - ISO 4217 Code for the Representation of Currencies and Funds
 - Date : 1995
- See also web-site : <http://www.iso.ch>

UN/ECE Recommendations

- No 17 PAYTERMS - Abbreviations for Terms of Payment
 - Date : November 1994
 - No 20 Codes for Units of Measure used in International Trade
 - Date : August 1995
- See also web-site: http://www.unece.org/trade/facil/tf_rec_h.htm

Core European Implementation Guidelines

- Introduction
 - Date : 1996-01-22
- Invoice
 - UN/EDIFACT Directory : 92.1/D.93A
 - Date : 1996-01-22

EDIFICE

- Standards for Documentation of the EDIFICE Implementation Guidelines
 - Issue : 3
 - Date : 1997-09-24
- EDIFICE Utilisation of the UN/EDIFACT Service Segments
 - Issue : 3
 - Date : 1997-09-24

EXPLANATORY NOTES

General

The following abbreviations are used within this document:

DE = Data Element
CO = Composite Data Element
SG = Segment Group

The following codes are used to indicate, in a more detailed and precise way than UN/EDIFACT, the usage of the data concerned in the EDIFICE Message Implementation Guidelines:

<u>UN/EDIFACT</u>	<u>EDIFICE</u>
M (Mandatory)	M (Mandatory)
C (Conditional)	R (Required)
C (Conditional)	D (Depending)
C (Conditional)	A (Advised)
C (Conditional)	O (Optional)
C (Conditional)	N (Not Used)

Mandatory = UN/EDIFACT dictates that the Data Element, Composite Data Element, Segment or Segment Group must be present.

Required = Indicates that the entity is required and must be sent.

Depending = Indicates that the entity must be sent if a particular defined condition or set of conditions exists. The associated conditions must be explained at the appropriate level of detail.

Advised = Indicates that the entity is advised or recommended and should be sent if previously agreed between the trading partners.

Optional = Indicates that the entity is optional and may be sent if previously agreed between the trading partners.

Not Used = Indicates that the entity is not used and should be omitted.

Where a Composite Data Element is indicated as 'Not Used', the column 'usage status' for the Data Elements will remain blank.

The number of occurrences shown in the EDIFICE Message Diagrams indicates the required or maximum number of occurrences for the entity utilisation.

The EDIFICE usage status and number of occurrences for segments or segment groups will be represented analogue to the representation of data elements e.g.:

- R3 The segment or group is required 3 times (fixed number)
- R..3 The segment or group is required up to 3 times (maximum number)

The following table indicates the number of integer and decimal digits to be used for numeric data elements when needed:

Numeric Class	Representation Digits	Integer Digits	Decimals
Dimensions	n..18	15	3
Quantities	n..15	12	3
Volumes	n..18	15	3
Weights	n..18	15	3
Unit Prices	n..15	11	4
Amounts	n..18	15	3
Currency Rates	n..12	6	6
Percentages	n..8	3	5

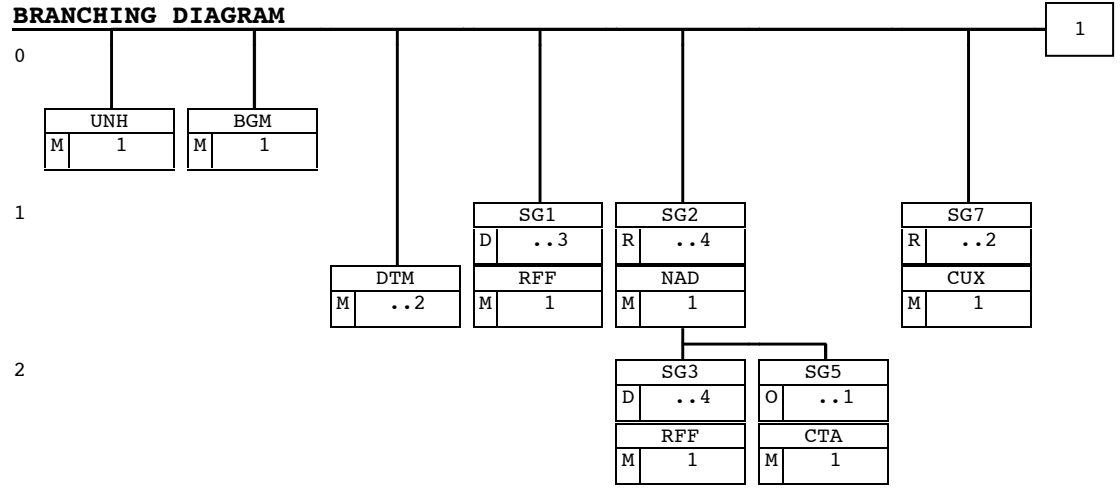
EDIFICE recommends that where there are significant decimals, these are explicitly stated using a decimal mark in a character position.

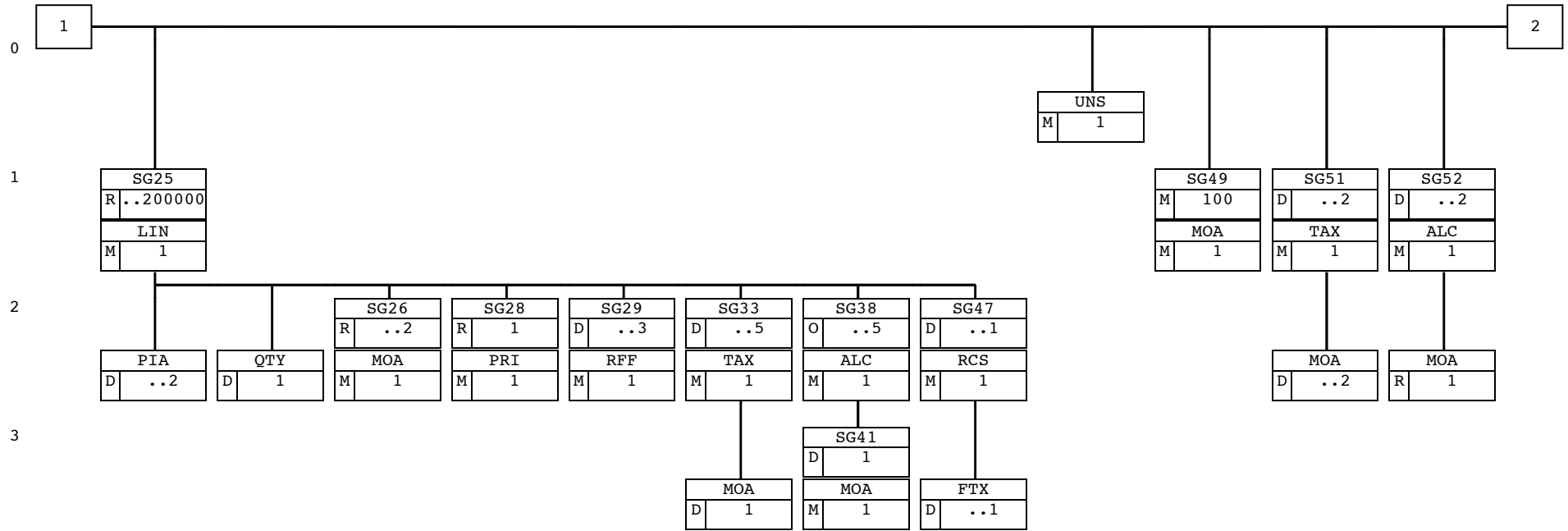
Consistent use of the date/time/period format should be adhered to throughout the entire message. EDIFICE recommends only to use the 'CCYYMMDD' format.

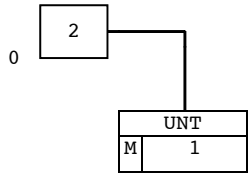
MESSAGE STRUCTURE CHART

UNH	MESSAGE HEADER	M1
BGM	BEGINNING OF MESSAGE	M1
DTM	DATE/TIME/PERIOD	M..2
SG1		D..3
RFF	REFERENCE	M1
SG2		R..4
NAD	NAME AND ADDRESS	M1
SG3		D..4
RFF	REFERENCE	M1
SG5		O..1
CTA	CONTACT INFORMATION	M1
SG7		R..2
CUX	CURRENCIES	M1
SG25		R..200000
LIN	LINE ITEM	M1
PIA	ADDITIONAL PRODUCT ID	D..2
QTY	QUANTITY	D1
SG26		R..2
MOA	MONETARY AMOUNT	M1
SG28		R1
PRI	PRICE DETAILS	M1
SG29		D..3
RFF	REFERENCE	M1
SG33		D..5
TAX	DUTY/TAX/FEE DETAILS	M1
MOA	MONETARY AMOUNT	D1
SG38		O..5
ALC	ALLOWANCE OR CHARGE	M1
SG41		D1
MOA	MONETARY AMOUNT	M1
SG47		D..1
RCS	REQUIREMENTS AND CONDITIONS	M1
FTX	FREE TEXT	D..1
UNS	SECTION CONTROL	M1
SG49		M..2
MOA	MONETARY AMOUNT	M1
SG51		D..2
TAX	DUTY/TAX/FEE DETAILS	M1
MOA	MONETARY AMOUNT	D..2
SG52		D..2
ALC	ALLOWANCE OR CHARGE	M1
MOA	MONETARY AMOUNT	R1
UNT	MESSAGE TRAILER	M1

BRANCHING DIAGRAM







SEGMENT GROUPS/SEGMENTS DESCRIPTION**UNH MESSAGE HEADER**

Function: A service segment heading, and uniquely identifying the message.
Usage : M1

BGM BEGINNING OF MESSAGE

Function: A segment uniquely identifying the message by means of its coded name and number.
Usage : M1

DTM DATE/TIME/PERIOD

Function: A segment specifying the date of creation of the message and other dates relevant to the whole message.
Usage : M..2

SG1 RFF

Function: A segment referencing documents relating to the whole message.
Usage : D..3
Notes : There must be at least one reference to a document occurring at an earlier stage in the business process, e.g. purchase order or contract. Where the reference relates to the whole document it must be sent in SG1. Where the reference is not the same in every line item it must appear in every LIN segment and not here. The DTM segment must be sent where local law requires a date or expiry date of a reference document to be sent. If the line number of the referenced document needs to be specified, both document and line number are specified in RFF of SG29 even if the document number applies to the whole invoice. In this case the document number should not be shown in RFF SG1.

RFF REFERENCE

Function: A segment specifying a document reference number.
Usage : M1

SG2 NAD-SG3-SG5

Function: A group of segments identifying the parties involved and their associated information, relevant to the whole message.
Usage : R..4
Notes : As a minimum NAD segments identifying the buyer and seller must be present. The deliver-to and invoice-to name and address may be sent, if different, to the buyer address. SG3 must be sent if the invoice is a cross-border invoice in the European Union to transmit VAT registration numbers of buyer and seller.

NAD NAME AND ADDRESS

Function: A segment identifying the function and coded identification, name and address of a party involved.
Usage : M1

SG3 RFF

Function: A group of segments giving references relating to the identified party involved.
Usage : D..4
Notes :

RFF REFERENCE

Function: A segment specifying a company specific reference.
Usage : M1

SG5 CTA

Function: A segment giving contact details of the specific person or department within the identified buying party involved, to whom communication should be directed.
Usage : O..1

Notes :

CTA CONTACT INFORMATION

Function: A segment identifying a person or department, and their function.
Usage : M1

SG7 CUX

Function: A group of segments specifying the currencies and exchange rate information, valid for the whole message.
Usage : R..2
Notes : At least one CUX segment must be present specifying the invoicing currency, which applies to the whole document.

CUX CURRENCIES

Function: A segment specifying currencies and an exchange rate for all prices and/or amounts.
Usage : M1

SG25 LIN-PIA-QTY-SG26-SG28-SG29-SG33-SG38-SG47

Function: A group of segments providing details of the individual line items i.e. invoiced products or services.
Usage : R..200000
Notes : It is preferred that the item should be uniquely identified by a single primary reference. Where the primary reference to the item being invoiced is insufficient to identify the item, the PIA segment may be used to provide additional product identification. Information such as engineering change level, drawing revision number etc. can also be included in this segment.
The QTY segment may not be relevant where a service is supplied.
SG29 must be sent if references occur at line level.
SG33 depends on country tax accounting requirements.
SG47 depends on official requirements and on status of goods.

LIN LINE ITEM

Function: A segment identifying a line item by its item number, and agreed to be the primary reference number between the buyer and seller.
The segment also carries a sequence number assigned to the line item within the message.
Usage : M1

PIA ADDITIONAL PRODUCT ID

Function: A segment providing additional or substitute identification numbers for the line item.
Usage : D..2

QTY QUANTITY

Function: A segment specifying the quantity information for the line item.
Usage : D1

SG26 MOA

Function: A group of segments specifying total monetary amounts for the line item.
Usage : R..2
Notes :

MOA MONETARY AMOUNT

Function: A segment specifying the total monetary amount.
Usage : M1

SG28 PRI

Function: A group of segments specifying pricing information for the line item.
Usage : R1

Notes :

PRI PRICE DETAILS

Function: A segment specifying the line item price and the qualifying information.
Usage : M1

SG29 RFF

Function: A group of segments referencing documents and their dates for the line item.
Usage : D..3
Notes : There must be at least one reference to a document occurring at an earlier stage in the business process, e.g. purchase order or contract.
If a reference applies to the whole document or to all invoice lines it should be sent at header level (SG1).
Where the document reference differs by line then use only this segment group. This segment group should not be used to override SG1.
If the line number of the referenced document needs to be specified, both document and line number are specified in RFF of SG29 even if the document number applies to the whole invoice. In this case the document number should not be shown in RFF SG1.
The DTM segment must be sent where local law requires a date or expiry date of a reference document to be sent.

RFF REFERENCE

Function: A segment specifying a document reference number.
Usage : M1

SG33 TAX-MOA

Function: A group of segments specifying tax related information for the line item.
Usage : D..5
Notes : The MOA segment may be required by tax regulations.

TAX DUTY/TAX/FEE DETAILS

Function: A segment specifying the type of tax, category and rate.
Usage : M1

MOA MONETARY AMOUNT

Function: A segment specifying the monetary amount related to the type of tax, category and rate.
Usage : D1

SG38 ALC-SG41

Function: A group of segments specifying allowances and/or charges.
Usage : O..5
Notes : Allowances and/or charges at header level and line level are independent, i.e. line level does not override header level.
Both may occur.
SG41 is only used if the allowance or charge is an absolute monetary amount.

ALC ALLOWANCE OR CHARGE

Function: A segment specifying an allowance or charge and the calculation sequence.
Usage : M1

SG41 MOA

Function: A group of segments specifying an allowance or charge as a monetary amount.
Usage : D1
Notes :

MOA MONETARY AMOUNT

Function: A segment specifying the monetary amount.

Usage : M1

SG47 RCS-FTX

Function: A group of segments specifying embargo information for the line item.
Usage : D..1
Notes : The FTX segment must only be sent if local law requires text to accompany the embargo information.

RCS REQUIREMENTS AND CONDITIONS

Function: A segment identifying an embargo restriction for the electronics industry.
Usage : M1

FTX FREE TEXT

Function: A segment providing free form or coded text information related to the embargo restriction.
Usage : D..1

UNS SECTION CONTROL

Function: A service segment separating detail and summary section.
Usage : M1

SG49 MOA

Function: A group of segments specifying monetary totals for the whole message.
Usage : M..2
Notes : Amounts required to be expressed in a target currency are shown using repeats of the MOA with the currency qualified.

MOA MONETARY AMOUNT

Function: A segment specifying a monetary total.
Usage : M1

SG51 TAX-MOA

Function: A group of segments specifying per tax type, category and rate the total tax amount summary of the tax amounts provided in the heading and detail section, including tax on allowances and charges.
Usage : D..2
Notes : One occurrence of the segment group must be sent for each combination of tax type and rate occurring in the document.
If there are no tax amounts in the detail section this segment group is not sent.
The same amount of tax may be required to be expressed in two currencies. The MOA segment may therefore occur twice.

TAX DUTY/TAX/FEE DETAILS

Function: A segment specifying the tax type, category and rate to be summarised.
Usage : M1

MOA MONETARY AMOUNT

Function: A segment specifying the summary amount for the tax type, category and rate.
Usage : D..2

SG52 ALC-MOA

Function: A group of segments specifying the summary of the allowances and charges as specified in the heading and detail sections.
Usage : D..2
Notes :

ALC ALLOWANCE OR CHARGE

Function: A segment identifying an allowance or charge.
Usage : M1

MOA MONETARY AMOUNT

Function: A segment specifying the monetary amount.
Usage : R1

UNT MESSAGE TRAILER

Function: A service segment ending, and providing information for checking the completeness of a message.
Usage : M1

UNH MESSAGE HEADER

Function: A service segment heading, and uniquely identifying the message.

Usage : M1

Notes : Refer to EDIFICE Utilisation of the UN/EDIFACT Service Segments, Issue 3.

Ref.	Rep.	Name		EDIFICE Utilisation
0062	an..14	M MESSAGE REFERENCE NUMBER	M	Transmission message count from 1
S009		M MESSAGE IDENTIFIER	M	
0065	an..6	M Message type identifier	M	INVOIC
0052	an..3	M Message type version number	M	D
0054	an..3	M Message type release number	M	97A
0051	an..2	M Controlling agency	M	UN
0057	an..6	C Association assigned code	R	EDIN03
0068	an..35	C COMMON ACCESS REFERENCE	N	
S010		C STATUS OF THE TRANSFER	N	
0070	n..2	M Sequence message transfer number		
0073	a1	C First/last sequence message transfer indication		

BGM BEGINNING OF MESSAGE

Function: A segment uniquely identifying the message by means of its coded name and number.
 Usage : M1
 Notes :

Ref.	Rep.	Name		EDIFICE Utilisation
C002		C DOCUMENT/MESSAGE NAME	R	
1001	an..3	C Document/message name, coded	R	380 = Commercial invoice Document/message claiming payment for goods or services supplied under conditions agreed between seller and buyer. 381 = Credit note Document/message for providing credit information to the relevant party. 383 = Debit note Document/message for providing debit information to the relevant party.
1131	an..3	C Code list qualifier	N	
3055	an..3	C Code list responsible agency, coded	N	
1000	an..35	C Document/message name	N	
C106		C DOCUMENT/MESSAGE IDENTIFICATION	R	
1004	an..35	C Document/message number	R	Unique document identity
1056	an..9	C Version	N	
1060	an..6	C Revision number	N	
1225	an..3	C MESSAGE FUNCTION, CODED	N	
4343	an..3	C RESPONSE TYPE, CODED	N	

DTM DATE/TIME/PERIOD

Function: A segment specifying the date of creation of the message and other dates relevant to the whole message.

Usage : M..3

Notes : At least one DTM segment must be present, specifying the document creation date.

Ref.	Rep.	Name	EDIFICE Utilisation	
C507		M DATE/TIME/PERIOD	M	
2005	an..3	M Date/time/period qualifier	M	137 = Document/message date/time Date when the document is created.
2380	an..35	C Date/time/period	R	
2379	an..3	C Date/time/period format qualifier	R	102 = CCYYMMDD

SG1 RFF

RFF REFERENCE

Function: A segment specifying a document reference number.

Usage : M1

Notes :

Ref.	Rep.	Name		EDIFICE Utilisation
C506		M REFERENCE	M	
1153	an..3	M Reference qualifier	M	AWB = Air waybill number GC = Government contract number PR = Price quote number
1154	an..35	C Reference number	R	
1156	an..6	C Line number	N	
4000	an..35	C Reference version number	N	

NAD NAME AND ADDRESS

Function: A segment identifying the function and coded identification, name and address of a party involved.

Usage : M1

Notes : It is advised that the party identification CO C082 be used. When CO C082 cannot be used it is recommended to use the structured name and address CO C080 through DE 3207 rather than the unstructured one CO C058.

Ref.	Rep.	Name		EDIFICE Utilisation
3035	an..3	M PARTY QUALIFIER	M	BY = Buyer DP = Delivery party This is the ship to address IV = Invoicee This is the bill to address SE = Seller
C082		C PARTY IDENTIFICATION DETAILS	A	
3039	an..35	M Party id. identification	M	
1131	an..3	C Code list qualifier	N	
3055	an..3	C Code list responsible agency, coded	R	91 = Assigned by seller or seller's agent 92 = Assigned by buyer or buyer's agent
C058		C NAME AND ADDRESS	D	
3124	an..35	M Name and address line	M	
3124	an..35	C Name and address line	O	
3124	an..35	C Name and address line	O	
3124	an..35	C Name and address line	O	
3124	an..35	C Name and address line	O	
C080		C PARTY NAME	D	
3036	an..35	M Party name	M	
3036	an..35	C Party name	O	
3036	an..35	C Party name	O	
3036	an..35	C Party name	O	
3036	an..35	C Party name	O	
3045	an..3	C Party name format, coded	N	
C059		C STREET	D	
3042	an..35	M Street and number/p.o. box	M	
3042	an..35	C Street and number/p.o. box	O	
3042	an..35	C Street and number/p.o. box	O	
3042	an..35	C Street and number/p.o. box	O	
3164	an..35	C CITY NAME	D	
3229	an..9	C COUNTRY SUB-ENTITY IDENTIFICATION	D	
3251	an..9	C POSTCODE IDENTIFICATION	D	
3207	an..3	C COUNTRY, CODED	D	Use ISO 3166, 2 alpha code

SG3 RFF

RFF REFERENCE

Function: A segment specifying a company specific reference.

Usage : M1

Notes :

Ref.	Rep.	Name		EDIFICE Utilisation
C506		M REFERENCE	M	
1153	an..3	M Reference qualifier	M	VA = VAT registration number
1154	an..35	C Reference number	R	
1156	an..6	C Line number	N	
4000	an..35	C Reference version number	N	

SG5 CTA

CTA CONTACT INFORMATION

Function: A segment identifying a person or department, and their function.

Usage : M1

Notes :

Ref.	Rep.	Name	EDIFICE Utilisation	
3139	an..3	C CONTACT FUNCTION, CODED	R	AR = Accounts receivable contact
C056		C DEPARTMENT OR EMPLOYEE DETAILS	R	If a code is available use DE 3413, otherwise use DE 3412.
3413	an..17	C Department or employee identification	D	
3412	an..35	C Department or employee	D	

CUX CURRENCIES

Function: A segment specifying currencies and an exchange rate for all prices and/or amounts.

Usage : M1

Notes : Prices and amounts are all stated in the reference currency (which is the invoice currency).

Amounts in the reference currency may also be converted to other target currencies.

The general rule for calculating the target currency amount is as follows:

Amount in Reference currency x Rate of exchange = Amount in Target currency.

The rate of exchange may be required, depending on customs or fiscal regulations.

Ref.	Rep.	Name	EDIFICE Utilisation	
C504		C CURRENCY DETAILS	R	
6347	an..3	M Currency details qualifier	M	2 = Reference currency
6345	an..3	C Currency, coded	R	Use ISO 4217, 3 alpha code
6343	an..3	C Currency qualifier	R	4 = Invoicing currency
6348	n..4	C Currency rate base	N	
C504		C CURRENCY DETAILS	N	
6347	an..3	M Currency details qualifier	N	
6345	an..3	C Currency, coded	N	
6343	an..3	C Currency qualifier	N	
6348	n..4	C Currency rate base	N	
5402	n..12	C RATE OF EXCHANGE	D	
6341	an..3	C CURRENCY MARKET EXCHANGE, CODED	N	

LIN LINE ITEM

Function: A segment identifying a line item by its item number, and agreed to be the primary reference number between the buyer and seller.
 The segment also carries a sequence number assigned to the line item within the message.
 Usage : M1
 Notes : For a line item referring to a service which has no coded identification, the primary identification is found in segment IMD, rather than in CO C212.

Ref.	Rep.	Name		EDIFICE Utilisation
1082	an..6	C LINE ITEM NUMBER	R	It is required to assign a number to the line items within a message. The number is assigned by the sender of the message. The first line item within a message will be numbered 1 and further line items will be incremented by 1 for each new line. Primary reference BP = Buyer's part number VP = Vendor's (seller's) part number 91 = Assigned by seller or seller's agent 92 = Assigned by buyer or buyer's agent
1229	an..3	C ACTION REQUEST/NOTIFICATION, CODED	N	
C212		C ITEM NUMBER IDENTIFICATION	A	
7140	an..35	C Item number	R	
7143	an..3	C Item number type, coded	R	
1131	an..3	C Code list qualifier	N	
3055	an..3	C Code list responsible agency, coded	R	
C829		C SUB-LINE INFORMATION	N	
5495	an..3	C Sub-line indicator, coded		
1082	an..6	C Line item number		
1222	n..2	C CONFIGURATION LEVEL	N	
7083	an..3	C CONFIGURATION, CODED	N	

PIA ADDITIONAL PRODUCT ID

Function: A segment providing additional or substitute identification numbers for the line item.
 Usage : D..2

Notes : The 5 internal repetitions of CO C212 may be used, but EDIFICE recommends to only use the first occurrence.

Ref.	Rep.	Name		EDIFICE Utilisation
4347	an..3	M PRODUCT ID. FUNCTION QUALIFIER	M	1 = Additional identification
C212		M ITEM NUMBER IDENTIFICATION	M	
7140	an..35	C Item number	R	
7143	an..3	C Item number type, coded	R	BP = Buyer's part number EC = Engineering change level VP = Vendor's (seller's) part number
1131	an..3	C Code list qualifier	N	
3055	an..3	C Code list responsible agency, coded	R	91 = Assigned by seller or seller's agent 92 = Assigned by buyer or buyer's agent
C212		C ITEM NUMBER IDENTIFICATION	O	As for first CO C212
7140	an..35	C Item number	R	
7143	an..3	C Item number type, coded	R	
1131	an..3	C Code list qualifier	N	
3055	an..3	C Code list responsible agency, coded	R	
C212		C ITEM NUMBER IDENTIFICATION	O	As for first CO C212
7140	an..35	C Item number	R	
7143	an..3	C Item number type, coded	R	
1131	an..3	C Code list qualifier	N	
3055	an..3	C Code list responsible agency, coded	R	
C212		C ITEM NUMBER IDENTIFICATION	O	As for first CO C212
7140	an..35	C Item number	R	
7143	an..3	C Item number type, coded	R	
1131	an..3	C Code list qualifier	N	
3055	an..3	C Code list responsible agency, coded	R	
C212		C ITEM NUMBER IDENTIFICATION	O	As for first CO C212
7140	an..35	C Item number	R	
7143	an..3	C Item number type, coded	R	
1131	an..3	C Code list qualifier	N	
3055	an..3	C Code list responsible agency, coded	R	

SG25 LIN-PIA-QTY-SG26-SG28-SG29-SG33-SG38-SG47

QTY QUANTITY

Function: A segment specifying the quantity information for the line item.

Usage : D1

Notes :

Ref.	Rep.	Name		EDIFICE Utilisation
C186		M QUANTITY DETAILS	M	
6063	an..3	M Quantity qualifier	M	47 = Invoiced quantity
6060	n..15	M Quantity	M	
6411	an..3	C Measure unit qualifier	R	PCE = piece

SG26 MOA

MOA MONETARY AMOUNT

Function: A segment specifying the total monetary amount.

Usage : M1

Notes : The monetary amount is expressed in the reference currency.

Ref.	Rep.	Name		EDIFICE Utilisation
C516		M MONETARY AMOUNT	M	
5025	an..3	M Monetary amount type qualifier	M	203 = Line item amount
5004	n..18	C Monetary amount	R	This is the amount for the invoiced item, including all line allowances and charges relating to it.
				Item amount = (Quantity x Unit Price) + Charges - Allowances
				Zero priced items have this field set to zero
6345	an..3	C Currency, coded	N	
6343	an..3	C Currency qualifier	N	
4405	an..3	C Status, coded	N	

PRI PRICE DETAILS

Function: A segment specifying the line item price and the qualifying information.

Usage : M1

Notes : When DE 6411 = 'PCE', CO C509 is used as shown below:

```

+-----+
!         SOLD BY         SOLD BY BOX         SOLD BY BATCH         !
!  DE         PIECE         (set)         (price break)         !
+-----+
!
! 5118         Unit Price         Unit Price         Unit Price         !
!              per piece         per box         per batch         !
!
! 5284         1         Number of         Number of         !
!              units in box         units per batch         !
!
+-----+

```

Ref.	Rep.	Name		EDIFICE Utilisation
C509		C PRICE INFORMATION	R	
5125	an..3	M Price qualifier	M	AAB = Calculation gross The price stated is the gross price to which allowances/charges (if any) must be applied.
5118	n..15	C Price	R	Unit price excluding line allowance or charge.
5375	an..3	C Price type, coded	R	CT = Contract NC = No charge (*) The price will be zero QT = Quoted (*) Use this code until UN/EDIFACT makes one available
5387	an..3	C Price type qualifier	N	
5284	n..9	C Unit price basis	R	
6411	an..3	C Measure unit qualifier	R	PCE = piece
5213	an..3	C SUB-LINE PRICE CHANGE, CODED	N	

SG29 RFF

RFF REFERENCE

Function: A segment specifying a document reference number.

Usage : M1

Notes : DE 1156 Line number may be required in order to cross-reference a line in a Purchase Order or a Despatch Advice, or, if within a Credit Note or a Debit Note, to an Invoice.

Ref.	Rep.	Name		EDIFICE Utilisation
C506		M REFERENCE	M	
1153	an..3	M Reference qualifier	M	AAK = Despatch advice number ON = Order number (purchase) VN = Order number (vendor)
1154	an..35	C Reference number	R	
1156	an..6	C Line number	D	
4000	an..35	C Reference version number	N	

TAX DUTY/TAX/FEE DETAILS

Function: A segment specifying the type of tax, category and rate.

Usage : M1

Notes : CO C243 must be sent if the rate is required to be specified at the time of invoicing.
If no rate is specified the amount of tax or duty must be sent in the following MOA segment.

Ref.	Rep.	Name		EDIFICE Utilisation
5283	an..3	M DUTY/TAX/FEE FUNCTION QUALIFIER	M	7 = Tax
C241		C DUTY/TAX/FEE TYPE	R	
5153	an..3	C Duty/tax/fee type, coded	R	VAT = Value added tax Used when DE 5283 is '7'
1131	an..3	C Code list qualifier	N	
3055	an..3	C Code list responsible agency, coded	N	
5152	an..35	C Duty/tax/fee type	N	
C533		C DUTY/TAX/FEE ACCOUNT DETAIL	N	
5289	an..6	M Duty/tax/fee account identification		
1131	an..3	C Code list qualifier		
3055	an..3	C Code list responsible agency, coded		
5286	an..15	C DUTY/TAX/FEE ASSESSMENT BASIS	N	
C243		C DUTY/TAX/FEE DETAIL	D	
5279	an..7	C Duty/tax/fee rate identification	N	
1131	an..3	C Code list qualifier	N	
3055	an..3	C Code list responsible agency, coded	N	
5278	an..17	C Duty/tax/fee rate	R	Tax rate
5273	an..12	C Duty/tax/fee rate basis identification	N	
1131	an..3	C Code list qualifier	N	
3055	an..3	C Code list responsible agency, coded	N	
5305	an..3	C DUTY/TAX/FEE CATEGORY, CODED	A	S = Standard rate Z = Zero rated goods
3446	an..20	C PARTY TAX IDENTIFICATION NUMBER	N	

SG33 TAX-MOA

MOA MONETARY AMOUNT

Function: A segment specifying the monetary amount related to the type of tax, category and rate.

Usage : D1

Notes :

Ref.	Rep.	Name		EDIFICE Utilisation
C516		M MONETARY AMOUNT	M	
5025	an..3	M Monetary amount type qualifier	M	161 = Duty, tax or fee amount
5004	n..18	C Monetary amount	R	
6345	an..3	C Currency, coded	N	
6343	an..3	C Currency qualifier	N	
4405	an..3	C Status, coded	N	

ALC ALLOWANCE OR CHARGE

Function: A segment specifying an allowance or charge and the calculation sequence.

Usage : M1

Notes : Either CO C552 or CO C214 must be used but not both. Use DE 1227 to specify sequence of calculation if more than one occurrence of ALC is used.

Ref.	Rep.	Name		EDIFICE Utilisation
5463	an..3	M ALLOWANCE OR CHARGE QUALIFIER	M	A = Allowance C = Charge
C552		C ALLOWANCE/CHARGE INFORMATION	D	Either DE 1230 or DE 5189 has to be used.
1230	an..35	C Allowance or charge number	D	
5189	an..3	C Charge/allowance description, coded	D	
4471	an..3	C SETTLEMENT, CODED	N	
1227	an..3	C CALCULATION SEQUENCE INDICATOR, CODED	N	
C214		C SPECIAL SERVICES IDENTIFICATION	D	
7161	an..3	C Special services, coded	M	See UN/EDIFACT code list FC = Freight Charges ACA = Allowance
1131	an..3	C Code list qualifier	N	
3055	an..3	C Code list responsible agency, coded	N	
7160	an..35	C Special service	N	
7160	an..35	C Special service	N	

SG41 MOA

MOA MONETARY AMOUNT

Function: A segment specifying the monetary amount.

Usage : M1

Notes :

Ref.	Rep.	Name	EDIFICE Utilisation	
C516		M MONETARY AMOUNT	M	
5025	an..3	M Monetary amount type qualifier	M	8 = Allowance or charge amount
5004	n..18	C Monetary amount	R	Total amount.
6345	an..3	C Currency, coded	N	
6343	an..3	C Currency qualifier	N	
4405	an..3	C Status, coded	N	

RCS REQUIREMENTS AND CONDITIONS

Function: A segment identifying an embargo restriction for the electronics industry.

Usage : M1

Notes : The values entered in this segment are only used to enable access to the following segments in the segment group.

Ref.	Rep.	Name		EDIFICE Utilisation
7293	an..3	M SECTOR/SUBJECT IDENTIFICATION QUALIFIER	M	4 = Electronic industry
C550		C REQUIREMENT/CONDITION IDENTIFICATION	M	
7295	an..17	M Requirement/condition identification	M	EMBARGO
1131	an..3	C Code list qualifier	N	
3055	an..3	C Code list responsible agency, coded	N	
7294	an..35	C Requirement or condition	N	
1229	an..3	C ACTION REQUEST/NOTIFICATION, CODED	N	

FTX FREE TEXT

Function: A segment providing free form or coded text information related to the embargo restriction.

Usage : D..5

Notes : This segment must only be present if a declaration is required by law or regulations to be expressed in text.

EDIFICE recommends not to use FTX segments.

The language must be specified in DE 3453 if required by regulations.

Where possible, use CO C107 rather than CO C108.

Ref.	Rep.	Name		EDIFICE Utilisation
4451	an..3	M TEXT SUBJECT QUALIFIER	M	LIN = Line item 1 = Text for subsequent use The occurrence of this text does not affect invoice
4453	an..3	C TEXT FUNCTION, CODED	R	
C107		C TEXT REFERENCE	A	DCS = Destination control statement A statement from the supplier to the customer informing him of legal or other restrictions which limit the resale or re-export of the product.
4441	an..17	M Free text identification	M	
1131	an..3	C Code list qualifier	N	
3055	an..3	C Code list responsible agency, coded	N	
C108		C TEXT LITERAL	D	As for DE 4441
4440	an..70	M Free text	M	
4440	an..70	C Free text	O	
4440	an..70	C Free text	O	
4440	an..70	C Free text	O	
3453	an..3	C LANGUAGE, CODED	D	Use ISO 639

UNS SECTION CONTROL

Function: A service segment separating detail and summary section.
Usage : M1
Notes :

Ref.	Rep.	Name	EDIFICE Utilisation	
0081	a1	M SECTION IDENTIFICATION	M	S = Detail/summary section separation

SG49 MOA

MOA MONETARY AMOUNT

Function: A segment specifying a monetary total.

Usage : M1

Notes : DE 6345 is required when more than one currency is used in the invoice.

Ref.	Rep.	Name		EDIFICE Utilisation
C516		M MONETARY AMOUNT	M	
5025	an..3	M Monetary amount type qualifier	M	79 = Total line items amount The sum of all line item monetary amounts and allowances and charges at detail level.
				86 = Message total monetary amount The sum of all line item monetary amounts, (which include allowances and charges at detail level), allowances and charges at header level and all tax and duty invoiced.
5004	n..18	C Monetary amount	R	
6345	an..3	C Currency, coded	D	Use ISO 4217, 3 alpha code
6343	an..3	C Currency qualifier	N	
4405	an..3	C Status, coded	N	

TAX DUTY/TAX/FEE DETAILS

Function: A segment specifying the tax type, category and rate to be summarised.

Usage : M1

Notes : CO C243 must be sent if the rate is required to be specified at the time of invoicing.
If no rate is specified the amount of tax or duty must be sent in the following MOA segment.

Ref.	Rep.	Name		EDIFICE Utilisation
5283	an..3	M DUTY/TAX/FEE FUNCTION QUALIFIER	M	7 = Tax
C241		C DUTY/TAX/FEE TYPE	R	
5153	an..3	C Duty/tax/fee type, coded	R	VAT = Value added tax Used when DE 5283 is '7'
1131	an..3	C Code list qualifier	N	
3055	an..3	C Code list responsible agency, coded	N	
5152	an..35	C Duty/tax/fee type	N	
C533		C DUTY/TAX/FEE ACCOUNT DETAIL	N	
5289	an..6	M Duty/tax/fee account identification		
1131	an..3	C Code list qualifier		
3055	an..3	C Code list responsible agency, coded		
5286	an..15	C DUTY/TAX/FEE ASSESSMENT BASIS	N	
C243		C DUTY/TAX/FEE DETAIL	D	
5279	an..7	C Duty/tax/fee rate identification	N	
1131	an..3	C Code list qualifier	N	
3055	an..3	C Code list responsible agency, coded	N	
5278	an..17	C Duty/tax/fee rate	R	Tax rate
5273	an..12	C Duty/tax/fee rate basis identification	N	
1131	an..3	C Code list qualifier	N	
3055	an..3	C Code list responsible agency, coded	N	
5305	an..3	C DUTY/TAX/FEE CATEGORY, CODED	A	S = Standard rate Z = Zero rated goods
3446	an..20	C PARTY TAX IDENTIFICATION NUMBER	N	

SG51 TAX-MOA

MOA MONETARY AMOUNT

Function: A segment specifying the summary amount for the tax type, category and rate.

Usage : D..2

Notes : DE 6345 must be specified if the segment occurs twice.

DE 5283 in the previous TAX segment indicates whether this is for tax or duty, and for which category.

Ref.	Rep.	Name		EDIFICE Utilisation
C516		M MONETARY AMOUNT	M	
5025	an..3	M Monetary amount type qualifier	M	176 = Message total duty/tax/fee amount
5004	n..18	C Monetary amount	R	
6345	an..3	C Currency, coded	D	Use ISO 4217, 3 alpha code
6343	an..3	C Currency qualifier	N	
4405	an..3	C Status, coded	N	

ALC ALLOWANCE OR CHARGE

Function: A segment identifying an allowance or charge.

Usage : M1

Notes :

Ref.	Rep.	Name		EDIFICE Utilisation
5463	an..3	M ALLOWANCE OR CHARGE QUALIFIER	M	A = Allowance C = Charge
C552		C ALLOWANCE/CHARGE INFORMATION	N	
1230	an..35	C Allowance or charge number		
5189	an..3	C Charge/allowance description, coded		
4471	an..3	C SETTLEMENT, CODED	N	
1227	an..3	C CALCULATION SEQUENCE INDICATOR, CODED	N	
C214		C SPECIAL SERVICES IDENTIFICATION	N	
7161	an..3	C Special services, coded		
1131	an..3	C Code list qualifier		
3055	an..3	C Code list responsible agency, coded		
7160	an..35	C Special service		
7160	an..35	C Special service		

SG52 ALC-MOA

MOA MONETARY AMOUNT

Function: A segment specifying the monetary amount.

Usage : R1

Notes :

Ref.	Rep.	Name		EDIFICE Utilisation
C516		M MONETARY AMOUNT	M	
5025	an..3	M Monetary amount type qualifier	M	131 = Total charges/allowances
5004	n..18	C Monetary amount	R	Total of all line items and header allowances/charges.
6345	an..3	C Currency, coded	N	
6343	an..3	C Currency qualifier	N	
4405	an..3	C Status, coded	N	

UNT MESSAGE TRAILER

Function: A service segment ending, and providing information for checking the completeness of a message.

Usage : M1

Notes : Refer to EDIFICE Utilisation of the UN/EDIFACT Service Segments, Issue 3.

Ref.	Rep.	Name		EDIFICE Utilisation
0074	n..6	M NUMBER OF SEGMENTS IN A MESSAGE	M	Count of all segments in the message, UNH and UNT included.
0062	an..14	M MESSAGE REFERENCE NUMBER	M	Must be the same reference number as in DE 0062 of the UNH segment of this message.

EXAMPLES

EXAMPLE 1: Multi Line Invoice

UNH+4622+INVOIC:D:97A:UN:EDIN03'
BGM+380+51316'
DTM+137:19950313:102'
RFF+AWB:123456'
NAD+SE+1234::91'
RFF+VA:222444466'
NAD+BY+5678::92'
CTA+AR+:CONTACT NAME'
NAD+DP+4120::92'
CUX+2:GBP:4'
LIN+1++BUYER PART NO:BP::92'
PIA+1+VENDOR PART NO:VP::91'
QTY+47:10:PCE'
MOA+203:200'
PRI+AAB:20::CT:1:PCE'
RFF+AAK:006376'
TAX+7+VAT+++:::17.5+S'
MOA+161:35'
LIN+2++BUYER PART NO:BP::92'
PIA+1+VENDOR PART NO:VP::91'
QTY+47:80:PCE'
MOA+203:3200'
PRI+AAB:40::CT:1:PCE'
RFF+AAK:006376'
TAX+7+VAT+++:::17.5+S'
MOA+161:560'
UNS+S'
MOA+86:3995'
TAX+7+VAT+++:::17.5+S'
MOA+176:595'
UNT+30+4622'

Commercial Invoice
Document/message date
Air waybill number
Seller
Seller VAT reg. no.
Buyer
Accounts receivable contact
Delivery party
Reference currency & invoicing currency, GBP
Buyer's part no.
Vendor's part no.
Invoice quantity 10
Line item amount 200 (10*20)
Contract price per piece 20
Despatch advice number
VAT 17.5% standard rate
Tax amount 35 (200@17.5%)
Buyer's part no.
Vendor's part no.
Invoice quantity 80
Line item amount 3200 (80*40)
Contract price per piece 40
Despatch advice number
VAT 17.5% standard rate
Tax amount 560 (3200@17.5%)
Message total amount 3995 (200+35+3200+560)
VAT 17.5% standard rate
Total tax amount 595 (35+560)