



EDIFICE Message Implementation Guideline

Quotation

QUOTES Issue EDQT04

Endorsed 27 November 2002

Based on UN/EDIFACT D.97A QUOTES Message

Copyright ©EDIFICE 2004

All rights reserved. No part of this publication may be reproduced or transmitted in any form or by any means without prior permission of EDIFICE.

Notwithstanding the fact that the utmost care has been observed in the collecting, drawing up and formulating of data, EDIFICE can under no circumstances be held liable for errors, omissions or misinterpretations as a result of the information compiled in the guidelines.

EDIFICE
The European B2B Forum for the Electronics Industry
EDIFICE secretariat
Dora Cresens
Tiensestraat 2
B-3320 Hoegaarden
Belgium
Tel: +32 16 76 54 40
Fax: +32 16 76 53 58
Email: Dora.Cresens@edifice.org

TABLE OF CONTENTS

<u>TITLE</u>	<u>PAGE</u>
COMPARISON TO PREVIOUS ISSUE	3
EDIFICE FUNCTIONAL DEFINITION	5
REFERENCES	7
EXPLANATORY NOTES	7
MESSAGE STRUCTURE CHART	8
BRANCHING DIAGRAM	9
SEGMENT GROUPS/SEGMENTS DESCRIPTION	11
UNH MESSAGE HEADER	15
BGM BEGINNING OF MESSAGE	16
DTM DATE/TIME/PERIOD	17
ALI ADDITIONAL INFORMATION	18
FTX FREE TEXT	19
SG1 - RFF REFERENCE	20
SG1 - DTM DATE/TIME/PERIOD	21
SG4 - CUX CURRENCIES	22
SG6 - TOD TERMS OF DELIVERY	23
SG6 - LOC PLACE/LOCATION IDENTIFICATION	24
SG11 - NAD NAME AND ADDRESS	25
SG27 - LIN LINE ITEM	26
SG27 - PIA ADDITIONAL PRODUCT ID	27
SG27 - IMD ITEM DESCRIPTION	28
SG27 - QTY QUANTITY	29
SG27 - PCD PERCENTAGE DETAILS	30
SG27 - FTX FREE TEXT	31
SG31 - PRI PRICE DETAILS	32
SG31 - RNG RANGE DETAILS	33
SG31 - DTM DATE/TIME/PERIOD	34
SG32 - RFF REFERENCE	35
SG39 - PAC PACKAGE	36
SG39 - QTY QUANTITY	38
SG54 - SCC SCHEDULING CONDITIONS	39
SG55 - QTY QUANTITY	40
SG55 - DTM DATE/TIME/PERIOD	41
UNS SECTION CONTROL	43
UNT MESSAGE TRAILER	43
EXAMPLES	44 - 45

COMPARISON TO PREVIOUS ISSUE

12 May 2004 : EDIFIX 5.0 Technical Upgrade

- The 'KMT' qualifier in SEG QTY and PRI DE 6411 is now defined as (*) EDIFICE code. UN/ECE Recommendation 20 specifies 'KTM' as qualifier for 'kilometre'.

21 May 2003: EDIFIX 4.2 Technical upgrade; review and correction of examples

Issue EDQT04 of 13 November 2002 is based on UN/EDIFACT D97.A / Code List D01.A

- Addition of the following code value:

SG27, LIN segment, CO C212, DE 7143 code 'SRV' EAN.UCC Global Trade Item Number

SG27, PIA segment, CO C212, DE 7143 code 'SRV' EAN.UCC Global Trade Item Number

Issue EDQT03 of 29 May 2002 – addition of recommended set of DTM qualifiers

Issue EDQT03 includes the following changes compared to issue EDQT02 of 24 September 1997:

- Replacement of the following code:

- UNH, DE 0057 Association assigned code EDQT03

- Addition of the following segments:

- SG31, RNG

- SG31, DTM

Issue EDQT02 includes the changes that have been made to the issue 1 of the Quotation document endorsed by the EDIFICE Plenary on 22 June 1993. The changes are as follows:

- Recast from the 92.1 version of the UN/EDIFACT directory to the D.97A version,

- Addition of the following code values:

SG11, NAD segment, DE 3055, code '16' DUNS (Dun & Bradstreet)

SG27, LIN segment, DE 7143, codes 'DI' Distributor's part number

'MF' Manufacturer's (producer's) article number and

'UP' UPC (Universal product code)

SG27, LIN segment, DE 3055, codes '89' Assigned by distributor

'90' Assigned by manufacturer and

'113' US, UCC (Uniform Code Council)

SG27, PIA segment, DE 7143, codes 'CL' Color number

'DI' Distributor's part number

'DW' Drawing

'MF' Manufacturer's (producer's) article number and

'UP' UPC (Universal product code)

SG27, PIA segment, DE 3055, codes '89' Assigned by distributor

'90' Assigned by manufacturer and

'113' US, UCC (Uniform Code Council)

SG27, IMD segment, DE 7077, code 'C' Code (from industry code list)

SG27, IMD segment, DE 7081, code '26' Ship to line

SG39, PAC segment, DE 7065, codes 'BLK90' Standard Bulk

'RAL90' Standard Rail (semiconductor)

'REL90' Standard Reel

'TRY90' Standard Tray

SG39, PAC segment, CO C202, DE 3055, code '116' US, ANSI ASC X12,

- Addition of the following segments:

SG1, DTM

SG6, LOC

SG39, QTY,

- Replacement of the following codes:

header DTM segment, CO C507, DE 2005, codes '341' to '194' Start date/time

'342' to '206' End date/time

SG1, RFF segment, CO C506, DE 1153, code 'BQ' to 'AHU' Request for quote number

SG4, CUX segment, CO C504, DE 6347, codes '6' to '16' (same value)

'7' to '17' (same value)

SG4, CUX segment, CO C504, DE 6343, codes '18' to '3' Home currency

'20' to '14' Supplier currency

SG27, PIA segment, DE 4347, code '5' to '1' Additional identification

SG27, PIA segment, CO C212, DE 7143, codes 'RN' to 'AA' Product version number

'SA' to 'VP' Vendor's (seller's) part

number

SG27, QTY segment, CO C186, DE 6063, codes '147' to '447' (same value)

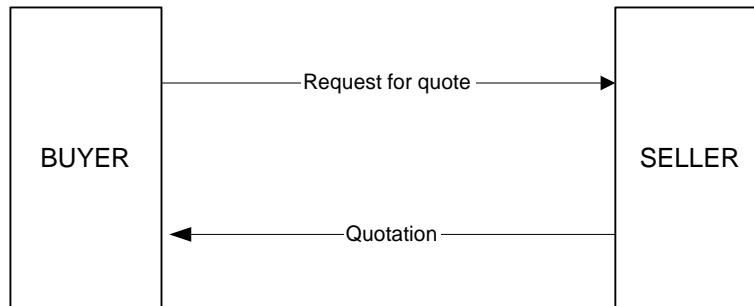
'148' to '448' (same value)

'149' to '449' (same value)

EDIFICE FUNCTIONAL DEFINITION

EDIFICE provides two messages for the quotation process ; the Request for Quote (REQOTE) and the Quotation (QUOTES). Together they are used to satisfy the business needs of the quotation function.

The information flow is shown in the diagram below:



This EDIFICE guideline for the utilisation of the UN/EDIFACT QUOTES message caters for the issuing of a quotation of price and/or delivery for goods and/or services in response to a buyer's request for quote under a business or commercial agreement. It is assumed that this agreement defines all standard, basic trading terms and conditions as agreed between the two parties. As such, a Quotation constitutes a business function under this agreement, to which it will refer for basic terms and conditions.

The following principles apply:

- There is a one to one relationship between REQOTE and QUOTES.
- A QUOTES must apply to only one REQOTE.
- Once sent, a QUOTES may not be amended.
- Every Quotation message should have a unique document number assigned by the supplier and this must be sent in the BGM segment of the Quotation message.
- The buyer's Request for Quote number must be returned by the Seller in a Reference segment (RFF) at header level in the QUOTES message.
- Item Numbers are used to identify the product or service for which a quotation is being provided. Where this is not sufficient, the item must be identified by providing a clear description.
- The individual item lines for which a quotation was requested (REQOTE) should be identified unambiguously in the QUOTES message by returning the Buyers Request for Quote line number in a Reference segment (RFF) associated with each item line. Any other means of identification, or a decision that such identification is not required, must be agreed by both trading partners concerned and documented in the Trading Partner Agreement.
- Those Segment Groups, Segments and Data Elements which are labelled with 'O' (Optional) should be used only if the information they contain cannot be incorporated in the business or commercial agreement. The use of 'O' (Optional) must be agreed between trading partners.

- Nine variations of the Quotation message have been identified. The QUOTES message will be used to satisfy all nine variations. These variations are:

1. Quotation of Price only (no delivery)
2. Quotation of Delivery only (no price)
3. Quotation of Price and Delivery.

4. Contract Quotation (price and delivery)

This message is designed to facilitate the exchange of item, quantity, delivery and pricing information (at a minimum) between a supplier and a buyer. The contract quotation will be provided to the buyer by the supplier as part of a periodic contract negotiation and will include item pricing together with delivery schedules. This data is sent in response to a request for contract quotation.

The scope is that within an agreed timeframe, the buyer will purchase stated quantities in order to retain the quoted price and can be applied between:

- a manufacturer and an OEM customer,
- a manufacturer and a distributor,
- a manufacturer, distributor and end customer,
- a distributor and an end customer.

5. Contract Quotation (price only)

[refer to contract quotation (price and delivery) and omit all reference to delivery].

6. Ship & Debit Quotation (price and delivery)

This message is designed to facilitate the exchange of item, quantity, pricing and delivery information (at a minimum), between a Manufacturer and a Manufacturer's Agent (commonly referred to as a Distributor or Stockist) to authorise a price and delivery quotation request previously issued by the Agent.

The Agent will frequently hold stock, purchased from the Manufacture at a fixed price with assumptions regarding expected margins (profit on the resale). In given circumstances/criteria the fixed Price Catalogue "Distributor Cost" (issued by the Manufacturer) does not return expected margins when the Agent resells the item to the third party customer.

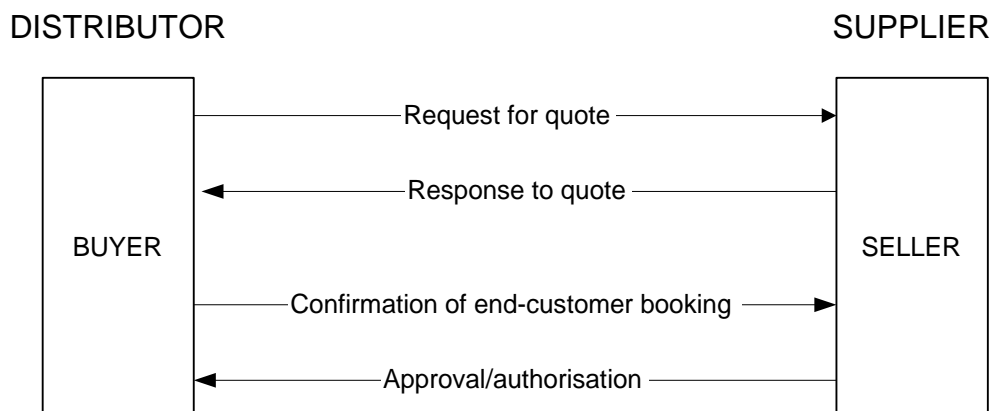
In these situations the Agent will apply to the Manufacturer for a special buy price and specific deliver schedules and request a quoted price/delivery. This is followed by the Manufacturer authorising the quoted price/delivery, with or without changes.

This business practise (Ship & Debit) is common in the Electronics Industry with the Quote process an essential and critical part of the Ship & Debit cycle.

7. Ship & Debit Quotation (price only)

[refer to ship & debit quotation (price and delivery) and omit all reference to delivery].

There will be business situations within the Ship & Debit environment when the Distributor is unable to inform the Manufacturer (at time of the Request for Quotation) whether he has "won" the business. Where this happens four distinct processes (versus the standard two) will be undertaken using the REQOTE and QUOTES messages. The following demonstrates the data flow:



REFERENCES

Refer to the document : Reference list for the EDIFICE message guidelines – Issue 1

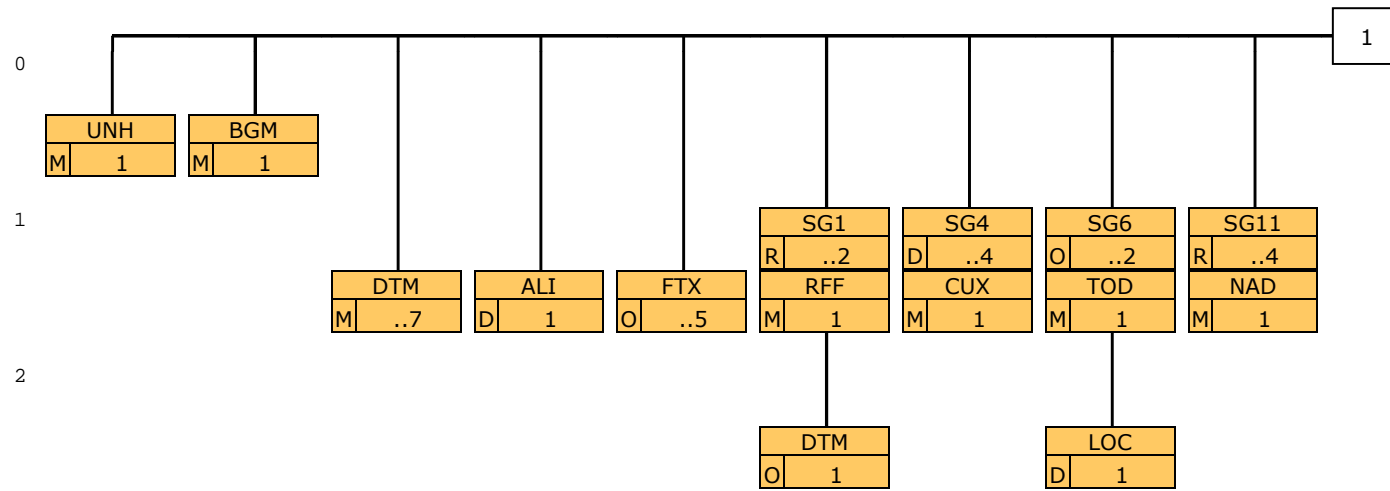
EXPLANATORY NOTES

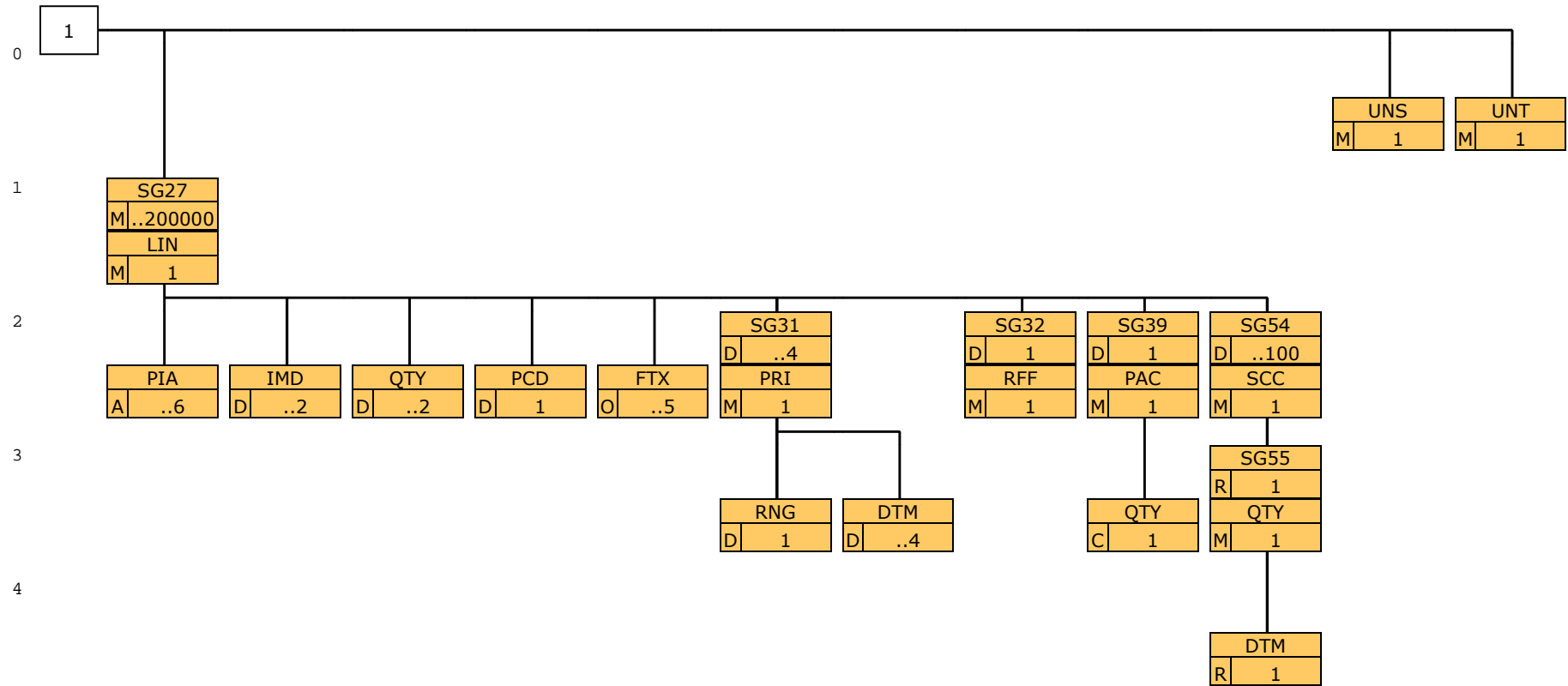
Refer to the document : Explanatory notes for the EDIFICE message guidelines – Issue 1

MESSAGE STRUCTURE CHART

UNH	MESSAGE HEADER	M 1
BGM	BEGINNING OF MESSAGE	M 1
DTM	DATE/TIME/PERIOD	M..7
ALI	ADDITIONAL INFORMATION	D 1
FTX	FREE TEXT	O..5
SG1		R..2
RFF	REFERENCE	M 1
DTM	DATE/TIME/PERIOD	O 1
SG4		D..4
CUX	CURRENCIES	M 1
SG6		O..2
TOD	TERMS OF DELIVERY OR TRANSPORT	M 1
LOC	PLACE/LOCATION IDENTIFICATION	D 1
SG11		R..4
NAD	NAME AND ADDRESS	M 1
SG27		M..200000
LIN	LINE ITEM	M 1
PIA	ADDITIONAL PRODUCT ID	A..6
IMD	ITEM DESCRIPTION	D..2
OTY	QUANTITY	D..2
PCD	PERCENTAGE DETAILS	D 1
FTX	FREE TEXT	O..5
SG31		D..4
PRI	PRICE DETAILS	M 1
RNG	RANGE DETAILS	D 1
DTM	DATE/TIME/PERIOD	D..4
SG32		D 1
RFF	REFERENCE	M 1
SG39		D 1
PAC	PACKAGE	M 1
OTY	QUANTITY	C 1
SG54		D..100
SCC	SCHEDULING CONDITIONS	M 1
SG55		R 1
OTY	QUANTITY	M 1
DTM	DATE/TIME/PERIOD	R 1
UNS	SECTION CONTROL	M 1
UNT	MESSAGE TRAILER	M 1

BRANCHING DIAGRAM





SEGMENT GROUPS/SEGMENTS DESCRIPTION

UNH MESSAGE HEADER

Function: A service segment heading, and uniquely identifying the message.
Usage: M1

BGM BEGINNING OF MESSAGE

Function: A segment uniquely identifying the message by means of its coded name, number and function.
Usage: M1

DTM DATE/TIME/PERIOD

Function: A segment specifying the date of creation of the message and, other dates relevant to the whole message.
Usage: M..7

ALI ADDITIONAL INFORMATION

Function: A segment indicating that special conditions due to the origin, fiscal or commercial factors are applicable.
Usage: D 1

FTX FREE TEXT

Function: A segment providing free form or coded text information, applicable to the whole message.
Usage: O..5

SG1 RFF-DTM

Function: A group of segments referencing documents and their dates, relating to the whole message.
Usage: R..2
Notes: This segment group is to be used to specify the buyer's request for quote number and any relevant contract number.

RFF REFERENCE

Function: A segment specifying a document reference number.
Usage: M1

DTM DATE/TIME/PERIOD

Function: A segment specifying the date of the reference document.
Usage: O 1

SG4 CUX

Function: A group of segments specifying the currencies for all prices, valid for the whole message.
Usage: D..4
Notes: This segment group is to be used to specify the currencies in which prices are stated. There must be one occurrence of the segment group for each price type stated.

CUX CURRENCIES

Function: A segment specifying a buyer's or seller's currency.
Usage: M1

SG6 TOD-LOC

Function: A group of segments indicating the terms of delivery for the whole message.
Usage: O..2
Notes: To be used only if it is necessary to be specific about terms of delivery and the relevant location points. The LOC segment is only used if the terms of delivery ('F' & 'C') require a named location/place.

TOD TERMS OF DELIVERY OR TRANSPORT

Function: A segment specifying the terms of delivery to be used.

Usage: M1

LOC PLACE/LOCATION IDENTIFICATION

Function: A segment identifying a location or place required for the terms of delivery.

Usage: D 1

SG11 NAD

Function: A group of segments identifying the parties involved and their associated information, relevant to the whole message.

Usage: R ..4

Notes: EDIFICE requires that this segment group be used at least once to identify the sender of the document.

NAD NAME AND ADDRESS

Function: A segment identifying the function and coded identification, name and address of a party involved.

Usage: M1

SG27 LIN-PIA-IMD-QTY-PCD-FTX-SG31-SG32-SG39-SG54

Function: A group of segments providing details of the individual line items i.e. products for which a quotation is being provided.

Usage: M..200000

Notes: If DE 1229 in the LIN segment = '5' (Accepted without amendment) or '7' (Not accepted), then only one 'dummy' LIN segment need be sent.

The IMD segment is used to provide an additional description of the primary reference. It may also be used for items that can not be identified by a code or article number.

There will be instances within a price and delivery quotation where the quantity associated with the price will be different to the quantity associated with the delivery and vice versa; this information needs to be specified in the QTY segment.

The PCD segment may be used to provide the agreed profit percentage and is only expected to be relevant in a supplier/distributor relationship.

SG31 is only required when a price or price and delivery quotation is being provided. The segment group should be repeated for each price type which pertains to the quotation.

Up to four occurrences are envisaged:

- buyer's requested buy price
- buyer's target resale price
- supplier's quoted buy price
- supplier's agreed resale price

If DE 1225 in the BGM segment = '27' (Not accepted), '29' (Accepted without amendment) or '32' (Approval), and the sender wishes to send one 'dummy' LIN segment, then there is no requirement to send the associated RFF segment (SG32).

SG39 may be used where alternative packaging methods are agreed between trading partners.

SG54 is not expected to be used when replying to a request for quotation of price only.

LIN LINE ITEM

Function: A segment identifying a line item by its item number, and agreed to be the primary reference number between the buyer and seller.

The segment also carries a sequence number assigned to the line item within the message, and the action taken.

Usage: M1

PIA ADDITIONAL PRODUCT ID

Function: A segment providing additional or substitute identification numbers for the line item.

Usage: A ..6

IMD ITEM DESCRIPTION

Function: A segment specifying ship to stock or ship to line quality and/or an additional description in clear or coded form, for the line item.

Usage: D..2

QTY QUANTITY

Function: A segment specifying the total quantity for the line item for which a quotation is being provided.

Usage: D..2

PCD PERCENTAGE DETAILS

Function: A segment specifying the agreed profit percentage for the line item.
Usage: D 1

FTX FREE TEXT

Function: A segment providing free form or coded text information for the line item.
Usage: O..5

SG31 PRI-RNG-DTM

Function: A group of segments specifying pricing and range information for the line item.
Usage: D..4
Notes:

PRI PRICE DETAILS

Function: A segment specifying the line item price and the qualifying information.
Usage: M1

RNG RANGE DETAILS

Function: A segment specifying the line item range
Usage: D 1

DTM DATE/TIME/PERIOD

Function: A segment specifying the date applying to the range.
Usage: D..4

SG32 RFF

Function: A group of segments specifying references for the line item.
Usage: D 1
Notes: This segment group should be used to return the buyer's request for quote item line number as transmitted by the buyer (in the detail RFF segment in the Request for Quotation message).

RFF REFERENCE

Function: A segment specifying a line item reference number.
Usage: M1

SG39 PAC-QTY

Function: A group of segments specifying product packaging information for the line item.
Usage: D 1
Notes:

PAC PACKAGE

Function: A segment specifying the product package type.
Usage: M1

QTY QUANTITY

Function: A segment specifying the number of products contained in the package type.
Usage: C 1

SG54 SCC-SG55

Function: A group of segments specifying firm delivery dates and the quantities scheduled for the line item, associated with a delivery quotation or a price and delivery quotation.
Usage: D..100

Notes:

SCC SCHEDULING CONDITIONS

Function: A segment specifying a firm delivery.
Usage: M1

SG55 QTY-DTM

Function: A group of segments specifying the delivery dates and the quantities scheduled.
Usage: R 1
Notes:

QTY QUANTITY

Function: A segment specifying a quantity.
Usage: M1

DTM DATE/TIME/PERIOD

Function: A segment specifying the corresponding date of the quantity.
Usage: R 1

UNS SECTION CONTROL

Function: A service segment separating the detail and summary sections.
Usage: M1

UNT MESSAGE TRAILER

Function: A service segment ending, and providing information for checking the completeness of a message.
Usage: M1

UNH MESSAGE HEADER

Function: A service segment heading, and uniquely identifying the message.

Usage : M1

Notes : Refer to EDIFICE utilisation of the UN/EDIFACT service segments, Issue EDSS04

Ref.	Rep.	Name	EDIFICE Utilisation
0062	an..14	M MESSAGE REFERENCE NUMBER	M
S009		M MESSAGE IDENTIFIER	M
0065	an..6	M Message type identifier	M QUOTES = Quote message
0052	an..3	M Message type version number	M D = Draft version/UN/EDIFACT Directory
0054	an..3	M Message type release number	M 97A = Release 1997 - A
0051	an..2	M Controlling agency	M UN = UN/CEFACT
0057	an..6	C Association assigned code	R EDQT04 = Quotation Issue EDQT04
0068	an..35	C COMMON ACCESS REFERENCE	N
S010		C STATUS OF THE TRANSFER	N
0070	n..2	M Sequence message transfer number	N
0073	a1	C First/last sequence message transfer indication	N

BGM BEGINNING OF MESSAGE

Function: A segment uniquely identifying the message by means of its coded name, number and function.

Usage : M1

Notes :

Ref.	Rep.	Name		EDIFICE Utilisation
C002		C DOCUMENT/MESSAGE NAME	R	
1001	an..3	C Document/message name, coded	R	361 = Price quote (*) 362 = Delivery quote (*) 363 = Price and delivery quote (*) 364 = Contract price quote (*) 365 = Contract price and delivery quote (*) 366 = Back to back price quote (*) 367 = Back to back price and delivery quote (*) 368 = Ship & debit price quote (*) 369 = Ship & debit price and delivery quote (*) (*) EDIFICE code
1131	an..3	C Code list qualifier	N	
3055	an..3	C Code list responsible agency, coded	N	
1000	an..35	C Document/message name	N	
C106		C DOCUMENT/MESSAGE IDENTIFICATION	R	
1004	an..35	C Document/message number	R	Seller's quotation/authorisation number
1056	an..9	C Version	N	
1060	an..6	C Revision number	N	
1225	an..3	C MESSAGE FUNCTION, CODED	R	27 = Not accepted 29 = Accepted without amendment 32 = Approval To approve a previous quotation number issued in a ship & debit scenario; if this code is used then DE 1004 must contain the seller's authorisation number. 34 = Accepted with amendment If DE 1225 = '27', '29' or '32' only one 'dummy' LIN segment need be sent.
4343	an..3	C RESPONSE TYPE, CODED	N	

DTM DATE/TIME/PERIOD

Function: A segment specifying the date of creation of the message and, other dates relevant to the whole message.

Usage : M..7

Notes : At least one DTM segment must be present, specifying the document creation date.

Ref.	Rep.	Name		EDIFICE Utilisation
C507	M	DATE/TIME/PERIOD	M	
2005	an..3	M Date/time/period qualifier	M	36 = Expiry date The date upon which this quotation expires 37 = Ship not before date/time Supplier to buyer or buyer to end customer in cases of ship & debit 38 = Ship not later than date/time Supplier to buyer or buyer to end customer in cases of ship & debit 137 = Document/message date/time Date when the document is created 157 = Validity start date The date upon which this quotation becomes valid 194 = Start date/time Start date of buyer placing order on supplier 206 = End date/time End date of buyer placing order on supplier Buyer placing order on supplier
2380	an..35	C Date/time/period	R	Date
2379	an..3	C Date/time/period format qualifier	R	102 = CCYYMMDD 203 = CCYYMMDDHHMM 303 = CCYYMMDDHHMMZZZ ZZZ = Time zone 304 = CCYYMMDDHHMMSSZZZ ZZZ = Time zone X03 = CCYYMMDDHHMMZZZZZ (*) ZZZZZ = Time zone X04 = CCYYMMDDHHMMSSZZZZZ (*) ZZZZZ = Time zone (*) EDIFICE code

ALI ADDITIONAL INFORMATION

Function: A segment indicating that special conditions due to the origin, fiscal or commercial factors are applicable.

Usage : D 1

Notes : EDIFICE advise that this segment be sent if the commercial reason is different to that stated in the request for quotation.

Ref.	Rep.	Name		EDIFICE Utilisation
3239	an..3	C COUNTRY OF ORIGIN, CODED	N	
9213	an..3	C TYPE OF DUTY REGIME, CODED	N	
4183	an..3	C SPECIAL CONDITIONS, CODED	R	100 = Costings (*) 101 = Tender (*) 102 = Mixed (*) 103 = Design win (*) 104 = Order to place (*) 105 = To be advised (*) 106 = Turns (*) 107 = Promotion (*) 108 = No design win registered (*) 109 = Backlog protection (*) 110 = Kit (*) 111 = Demonstration equipment (*) 112 = Volume (*) 113 = Estimated annual quantity (*) (*) EDIFICE code
4183	an..3	C SPECIAL CONDITIONS, CODED	D	As for first DE 4183
4183	an..3	C SPECIAL CONDITIONS, CODED	D	As for first DE 4183
4183	an..3	C SPECIAL CONDITIONS, CODED	D	As for first DE 4183
4183	an..3	C SPECIAL CONDITIONS, CODED	D	As for first DE 4183

FTX FREE TEXT

Function: A segment providing free form or coded text information, applicable to the whole message.

Usage : O..5

Notes : EDIFICE recommends not to use FTX segments.
Where possible, use CO C107 rather than CO C108.

Ref.	Rep.	Name		EDIFICE Utilisation
4451	an..3	M TEXT SUBJECT QUALIFIER	M	GEN = Entire transaction set 1 = Text for subsequent use The occurrence of this text does not affect message processing. 3 = Text for immediate use Text must be read before processing the message.
4453	an..3	C TEXT FUNCTION, CODED	A	
C107		C TEXT REFERENCE	A	
4441	an..17	M Free text identification	M	
1131	an..3	C Code list qualifier	N	
3055	an..3	C Code list responsible agency, coded	N	
C108		C TEXT LITERAL	D	
4440	an..70	M Free text	M	
4440	an..70	C Free text	O	
4440	an..70	C Free text	O	
4440	an..70	C Free text	O	
4440	an..70	C Free text	O	
3453	an..3	C LANGUAGE, CODED	N	

SG1 RFF-DTM**RFF REFERENCE**

Function: A segment specifying a document reference number.

Usage : M1

Notes :

Ref.	Rep.	Name		EDIFICE Utilisation
C506		M REFERENCE	M	
1153	an..3	M Reference qualifier	M	AHU = Request for quote number Buyer's request for quote number CT = Contract number
1154	an..35	C Reference number	R	
1156	an..6	C Line number	N	
4000	an..35	C Reference version number	N	

SG1 RFF-DTM**DTM DATE/TIME/PERIOD**

Function: A segment specifying the date of the reference document.

Usage : 01

Notes :

Ref.	Rep.	Name		EDIFICE Utilisation
C507		M DATE/TIME/PERIOD	M	
2005	an..3	M Date/time/period qualifier	M	171 = Reference date/time
2380	an..35	C Date/time/period	R	
2379	an..3	C Date/time/period format qualifier	R	102 = CCYYMMDD 203 = CCYYMMDDHHMM 303 = CCYYMMDDHHMMZZZ ZZZ = Time zone 304 = CCYYMMDDHHMMSSZZZ ZZZ = Time zone X03 = CCYYMMDDHHMMZZZZZ (*) ZZZZZ = Time zone X04 = CCYYMMDDHHMMSSZZZZZ (*) ZZZZZ = Time zone (*) EDIFICE code

SG4 CUX**CUX CURRENCIES**

Function: A segment specifying a buyer's or seller's currency.

Usage : M1

Notes : This segment may be used to indicate the currency for each price type being sent i.e. seller's quoted buy and/or resale prices.

Ref.	Rep.	Name		EDIFICE Utilisation
C504		C CURRENCY DETAILS	R	
6347	an..3	M Currency details qualifier	M	16 = Buy price (*) 17 = Resale price (*) (* EDIFICE code
6345	an..3	C Currency, coded	R	Use ISO 4217, 3 alpha code
6343	an..3	C Currency qualifier	R	3 = Home currency Buyer's currency 14 = Supplier currency Seller's currency
6348	n..4	C Currency rate base	N	
C504		C CURRENCY DETAILS	N	
6347	an..3	M Currency details qualifier	N	
6345	an..3	C Currency, coded	N	
6343	an..3	C Currency qualifier	N	
6348	n..4	C Currency rate base	N	
5402	n..12	C RATE OF EXCHANGE	N	
6341	an..3	C CURRENCY MARKET EXCHANGE, CODED	N	

SG6 TOD-LOC

TOD TERMS OF DELIVERY OR TRANSPORT

Function: A segment specifying the terms of delivery to be used.

Usage : M1

Notes :

Ref.	Rep.	Name		EDIFICE Utilisation
4055	an..3	C TERMS OF DELIVERY OR TRANSPORT FUNCTION, CODED	R	1 = Price condition 3 = Price and despatch condition 6 = Delivery condition
4215	an..3	C TRANSPORT CHARGES METHOD OF PAYMENT, CODED	N	
C100		C TERMS OF DELIVERY OR TRANSPORT	R	
4053	an..3	C Terms of delivery or transport, coded	R	Use UN/ECE Recommendation no.5, Incoterms 1990 (see next table). Incoterms code list: Group E - Departure EXW = Ex works Group F - Main carriage unpaid FAS = Free alongside ship FCA = Free carrier FOB = Free on Board Group C - Main carriage paid CFR = Cost and freight CIF = Cost, insurance and freight CIP = Carriage and insurance paid to CPT = Carriage paid to Group D - Arrival DAF = Delivered at frontier DDP = Delivered duty paid DDU = Delivered duty unpaid DEQ = Delivered ex quay DES = Delivered ex ship If not applicable, use code from another appropriate code set in DE 4053 in combination with DE 1131/3055.
1131	an..3	C Code list qualifier	D	
3055	an..3	C Code list responsible agency, coded	D	
4052	an..70	C Terms of delivery or transport	N	
4052	an..70	C Terms of delivery or transport	N	

SG6 TOD-LOC

LOC PLACE/LOCATION IDENTIFICATION

Function: A segment identifying a location or place required for the terms of delivery.

Usage : D 1

Notes :

Ref.	Rep.	Name	EDIFICE Utilisation
3227	an..3	M PLACE/LOCATION QUALIFIER	M 1 = Place of terms of delivery
C517		C LOCATION IDENTIFICATION	R
3225	an..25	C Place/location identification	R Use UN/ECE Recommendation no.16, UNLOCODE. If not applicable, use codes from another appropriate code set in combination with DE 1131/3055.
1131	an..3	C Code list qualifier	D
3055	an..3	C Code list responsible agency, coded	D 3 = IATA (International Air Transport Association) 91 = Assigned by seller or seller's agent 92 = Assigned by buyer or buyer's agent
3224	an..70	C Place/location	N
C519		C RELATED LOCATION ONE IDENTIFICATION	N
3223	an..25	C Related place/location one identification	N
1131	an..3	C Code list qualifier	N
3055	an..3	C Code list responsible agency, coded	N
3222	an..70	C Related place/location one	N
C553		C RELATED LOCATION TWO IDENTIFICATION	N
3233	an..25	C Related place/location two identification	N
1131	an..3	C Code list qualifier	N
3055	an..3	C Code list responsible agency, coded	N
3232	an..70	C Related place/location two	N
5479	an..3	C RELATION, CODED	N

SG11 NAD**NAD NAME AND ADDRESS**

Function: A segment identifying the function and coded identification, name and address of a party involved.

Usage : M1

Notes : It is advised that the party identification CO C082 be used. When CO C082 cannot be used it is recommended to use the structured name and address CO C080 through DE 3207 rather than the unstructured one CO C058.

Ref.	Rep.	Name	EDIFICE Utilisation	
3035	an..3	M PARTY QUALIFIER	M	BY = Buyer It is to be assumed that delivery will be made to the buyer's address, unless a delivery party is specified. DP = Delivery party PC = Actual purchaser's customer End customer SE = Seller
C082		C PARTY IDENTIFICATION DETAILS	D	
3039	an..35	M Party id. identification	M	Code identifying the party
1131	an..3	C Code list qualifier	N	
3055	an..3	C Code list responsible agency, coded	R	9 = EAN (International Article Numbering association) 16 = DUNS (Dun & Bradstreet) 91 = Assigned by seller or seller's agent 92 = Assigned by buyer or buyer's agent
C058		C NAME AND ADDRESS	D	
3124	an..35	M Name and address line	M	
3124	an..35	C Name and address line	O	
3124	an..35	C Name and address line	O	
3124	an..35	C Name and address line	O	
3124	an..35	C Name and address line	O	
C080		C PARTY NAME	D	
3036	an..35	M Party name	M	
3036	an..35	C Party name	O	
3036	an..35	C Party name	O	
3036	an..35	C Party name	O	
3036	an..35	C Party name	O	
3036	an..35	C Party name	O	
3045	an..3	C Party name format, coded	N	
C059		C STREET	D	
3042	an..35	M Street and number/p.o. box	M	
3042	an..35	C Street and number/p.o. box	O	
3042	an..35	C Street and number/p.o. box	O	
3042	an..35	C Street and number/p.o. box	N	
3164	an..35	C CITY NAME	D	
3229	an..9	C COUNTRY SUB-ENTITY IDENTIFICATION	D	
3251	an..9	C POSTCODE IDENTIFICATION	D	
3207	an..3	C COUNTRY, CODED	D	Use ISO 3166, 2 alpha code

SG27 LIN-PIA-IMD-QTY-PCD-FTX-SG31-SG32-SG39-SG54

LIN LINE ITEM

Function: A segment identifying a line item by its item number, and agreed to be the primary reference number between the buyer and seller.
The segment also carries a sequence number assigned to the line item within the message, and the action taken.

Usage : M1

Notes :

Ref.	Rep.	Name		EDIFICE Utilisation
1082	an..6	C LINE ITEM NUMBER	R	It is required to assign a number to the line items within a message. The number is assigned by the sender of the message. The first line item within a message will be numbered 1 and further line items will be incremented by 1 for each new line. 5 = Accepted without amendment 6 = Accepted with amendment 7 = Not accepted If DE 1225 in the BGM segment = '32' (Approval) then DE 1229 must hold either '5' (Accepted without amendment) or '7' (Not accepted). Primary reference BP = Buyer's part number DI = Distributor's part number (*) EN = International Article Numbering Association (EAN) MF = Manufacturer's (producer's) article number SRV = EAN.UCC Global Trade Item Number UP = UPC (Universal product code) VP = Vendor's (seller's) part number (*) EDIFICE code 9 = EAN (International Article Numbering association) 89 = Assigned by distributor 90 = Assigned by manufacturer 91 = Assigned by seller or seller's agent 92 = Assigned by buyer or buyer's agent 113 = US, UCC (Uniform Code Council)
1229	an..3	C ACTION REQUEST/NOTIFICATION, CODED	R	
C212		C ITEM NUMBER IDENTIFICATION	A	
7140	an..35	C Item number	R	
7143	an..3	C Item number type, coded	R	
1131	an..3	C Code list qualifier	N	
3055	an..3	C Code list responsible agency, coded	R	
C829		C SUB-LINE INFORMATION	N	
5495	an..3	C Sub-line indicator, coded	N	
1082	an..6	C Line item number	N	
1222	n..2	C CONFIGURATION LEVEL	N	
7083	an..3	C CONFIGURATION, CODED	N	

SG27 LIN-PIA-IMD-QTY-PCD-FTX-SG31-SG32-SG39-SG54**PIA ADDITIONAL PRODUCT ID**

Function: A segment providing additional or substitute identification numbers for the line item.

Usage : A..6

Notes : The 5 internal repetitions of CO C212 may be used, but EDIFICE recommends to only use the first occurrence.

Ref.	Rep.	Name		EDIFICE Utilisation
4347	an..3	M PRODUCT ID. FUNCTION QUALIFIER	M	1 = Additional identification 4 = Substituted for
C212		M ITEM NUMBER IDENTIFICATION	M	
7140	an..35	C Item number	R	
7143	an..3	C Item number type, coded	R	AA = Product version number Number assigned by manufacturer or seller to identify the release of a product. BP = Buyer's part number CL = Color number DI = Distributor's part number (*) DR = Drawing revision number DW = Drawing EC = Engineering change level EN = International Article Numbering Association (EAN) MF = Manufacturer's (producer's) article number SRV = EAN.UCC Global Trade Item Number UP = UPC (Universal product code) VP = Vendor's (seller's) part number (*) EDIFICE code
1131	an..3	C Code list qualifier	N	
3055	an..3	C Code list responsible agency, coded	R	9 = EAN (International Article Numbering association) 89 = Assigned by distributor 90 = Assigned by manufacturer 91 = Assigned by seller or seller's agent 92 = Assigned by buyer or buyer's agent 113 = US, UCC (Uniform Code Council)
C212		C ITEM NUMBER IDENTIFICATION	O	As for first CO C212
7140	an..35	C Item number	R	
7143	an..3	C Item number type, coded	R	
1131	an..3	C Code list qualifier	N	
3055	an..3	C Code list responsible agency, coded	R	
C212		C ITEM NUMBER IDENTIFICATION	O	As for first CO C212
7140	an..35	C Item number	R	
7143	an..3	C Item number type, coded	R	
1131	an..3	C Code list qualifier	N	
3055	an..3	C Code list responsible agency, coded	R	
C212		C ITEM NUMBER IDENTIFICATION	O	As for first CO C212
7140	an..35	C Item number	R	
7143	an..3	C Item number type, coded	R	
1131	an..3	C Code list qualifier	N	
3055	an..3	C Code list responsible agency, coded	R	
C212		C ITEM NUMBER IDENTIFICATION	O	As for first CO C212
7140	an..35	C Item number	R	
7143	an..3	C Item number type, coded	R	
1131	an..3	C Code list qualifier	N	
3055	an..3	C Code list responsible agency, coded	R	

SG27 LIN-PIA-IMD-QTY-PCD-FTX-SG31-SG32-SG39-SG54

IMD ITEM DESCRIPTION

Function: A segment specifying ship to stock or ship to line quality and/or an additional description in clear or coded form, for the line item.

Usage : D..2

Notes :

Ref.	Rep.	Name		EDIFICE Utilisation
7077	an..3	C ITEM DESCRIPTION TYPE, CODED	D	C = Code (from industry code list) F = Free-form 3 = Ship to stock 26 = Ship to line D Use DE 7009 for a coded description. If no code is available use DE 7008 instead.
7081	an..3	C ITEM CHARACTERISTIC, CODED	O	
C273		C ITEM DESCRIPTION	D	
7009	an..17	C Item description identification	A	
1131	an..3	C Code list qualifier	N	
3055	an..3	C Code list responsible agency, coded	N	
7008	an..35	C Item description	D	
7008	an..35	C Item description	O	
3453	an..3	C Language, coded	N	
7383	an..3	C SURFACE/LAYER INDICATOR, CODED	N	

SG27 LIN-PIA-IMD-QTY-PCD-FTX-SG31-SG32-SG39-SG54**QTY QUANTITY**

Function: A segment specifying the total quantity for the line item for which a quotation is being provided.

Usage : D..2

Notes : The measure unit qualifier used in DE 6411 applies to all the underlying QTY segments.

Ref.	Rep.	Name		EDIFICE Utilisation
C186		M QUANTITY DETAILS	M	
6063	an..3	M Quantity qualifier	M	447 = Quoted quantity (*) 448 = Quoted delivery quantity (*) Only to be used if delivery quantity is different to price quantity 449 = Quoted price quantity (*) Only to be used if price quantity is different to delivery quantity (*) EDIFICE code
6060	n..15	M Quantity	M	Total line quantity
6411	an..3	C Measure unit qualifier	R	Use the following codes from UN/ECE Recommendation no.20, Codes for Units of Measurement: CLT = centilitre CMT = centimetre GRM = gram KGM = kilogram KMT = kilometre (*) LTR = litre MGM = milligram MMT = millimetre MTK = square metre MTQ = cubic metre MTR = metre PCE = piece (*) (*) EDIFICE code, not included in UN/ECE Recommendation No. 20 Other codes should be previously agreed between trading partners.

SG27 LIN-PIA-IMD-QTY-PCD-FTX-SG31-SG32-SG39-SG54**PCD PERCENTAGE DETAILS**

Function: A segment specifying the agreed profit percentage for the line item.

Usage : D 1

Notes :

Ref.	Rep.	Name	EDIFICE Utilisation	
C501		M PERCENTAGE DETAILS	M	
5245	an..3	M Percentage qualifier	M	5 = Entry percentage
5482	n..10	C Percentage	R	Percentage value
5249	an..3	C Percentage basis, coded	N	
1131	an..3	C Code list qualifier	N	
3055	an..3	C Code list responsible agency, coded	N	

SG27 LIN-PIA-IMD-QTY-PCD-FTX-SG31-SG32-SG39-SG54**FTX FREE TEXT**

Function: A segment providing free form or coded text information for the line item.

Usage : O..5

Notes : EDIFICE recommends not to use FTX segments.
Where possible, use CO C107 rather than CO C108.

Ref.	Rep.	Name		EDIFICE Utilisation
4451	an..3	M TEXT SUBJECT QUALIFIER	M	LIN = Line item 1 = Text for subsequent use The occurrence of this text does not affect message processing 3 = Text for immediate use Text must be read before processing the message
4453	an..3	C TEXT FUNCTION, CODED	A	
C107		C TEXT REFERENCE	A	
4441	an..17	M Free text identification	M	
1131	an..3	C Code list qualifier	N	
3055	an..3	C Code list responsible agency, coded	N	
C108		C TEXT LITERAL	D	
4440	an..70	M Free text	M	
4440	an..70	C Free text	O	
4440	an..70	C Free text	O	
4440	an..70	C Free text	O	
4440	an..70	C Free text	O	
3453	an..3	C LANGUAGE, CODED	N	

SG31 PRI-RNG-DTM

PRI PRICE DETAILS

Function: A segment specifying the line item price and the qualifying information.

Usage : M1

Notes :

Ref.	Rep.	Name		EDIFICE Utilisation
C509		C PRICE INFORMATION	R	
5125	an..3	M Price qualifier	M	AAA = Calculation net
5118	n..15	C Price	R	
5375	an..3	C Price type, coded	R	BY = Buyer (*) SE = Seller (*) (*) EDIFICE code
5387	an..3	C Price type qualifier	N	
5284	n..9	C Unit price basis	R	
6411	an..3	C Measure unit qualifier	R	Use the following codes from UN/ECE Recommendation no.20, Codes for Units of Measurement: CLT = centilitre CMT = centimetre GRM = gram KGM = kilogram KMT = kilometre (*) LTR = litre MGM = milligram MMT = millimetre MTK = square metre MTQ = cubic metre MTR = metre PCE = piece (*) (*) EDIFICE code, not included in UN/ECE Recommendation No. 20 Other codes should be previously agreed between trading partners.
5213	an..3	C SUB-LINE PRICE CHANGE, CODED	N	

SG31 PRI-RNG-DTM

RNG RANGE DETAILS

Function: A segment specifying the line item range

Usage : D1

Notes : This segment is only used when the quote is related to a contract, i.e. BGM , DE 1001 = '364 Contract price quote' or '365 Contract price & delivery quote'

Ref.	Rep.	Name		EDIFICE Utilisation
6167	an..3	M RANGE TYPE QUALIFIER	M	4 = Quantity range
C280		C RANGE	R	
6411	an..3	M Measure unit qualifier	M	PCE = Piece (*) (* EDIFICE code, not included in UN/ECE Recommendation No. 20
6162	n..18	C Range minimum	R	Range minimum
6152	n..18	C Range maximum	R	Range maximum

SG31 PRI-RNG-DTM**DTM DATE/TIME/PERIOD**

Function: A segment specifying the date applying to the range.

Usage : D..4

Notes : This segment is only used when the quote is related to a contract. i.e. BGM , DE 1001 = '364 Contract price quote' or '365 Contract price & delivery quote'

Ref.	Rep.	Name	EDIFICE Utilisation	
C507		M DATE/TIME/PERIOD	M	
2005	an..3	M Date/time/period qualifier	M	37 = Ship not before date/time 38 = Ship not later than date/time 194 = Start date/time 206 = End date/time
2380	an..35	C Date/time/period	R	Date
2379	an..3	C Date/time/period format qualifier	R	102 = CCYYMMDD 203 = CCYYMMDDHHMM 303 = CCYYMMDDHHMMZZZ ZZZ = Time zone 304 = CCYYMMDDHHMMSSZZZ ZZZ = Time zone X03 = CCYYMMDDHHMMZZZZZ (*) ZZZZZ = Time zone X04 = CCYYMMDDHHMMSSZZZZZ (*) ZZZZZ = Time zone (*) EDIFICE code

SG32 RFF**RFF REFERENCE**

Function: A segment specifying a line item reference number.

Usage : M1

Notes :

Ref.	Rep.	Name		EDIFICE Utilisation
C506		M REFERENCE	M	
1153	an..3	M Reference qualifier	M	LI = Line item reference number
1154	an..35	C Reference number	N	
1156	an..6	C Line number	R	Buyer's item line number
4000	an..35	C Reference version number	N	

SG39 PAC-QTY

PAC PACKAGE

Function: A segment specifying the product package type.

Usage : M1

Notes :

Ref.	Rep.	Name		EDIFICE Utilisation
7224	n..8	C NUMBER OF PACKAGES	N	
C531		C PACKAGING DETAILS	N	
7075	an..3	C Packaging level, coded	N	
7233	an..3	C Packaging related information, coded	N	
7073	an..3	C Packaging terms and conditions, coded	N	
C202		C PACKAGE TYPE	R	
7065	an..17	C Type of packages identification	R	<p>The following codes are taken from EIDX documentation: BLK90 = Standard Bulk RAL90 = Standard Rail (semiconductor) REL90 = Standard Reel TRY90 = Standard Tray</p> <p>The following codes are taken from UN/ECE Recommendation no.21, (TDED 5.8): BA = Barrel BB = Bobbin BE = Bundle BG = Bag BQ = Bottle, protected cylindrical BV = Bottle, protected bulbous BX = Box CG = Cage (*) CN = Container CR = Crate CS = Case CT = Carton CX = Can, cylindrical DR = Drum EN = Envelope NE = Unpacked or unpackaged PC = Parcel PE = Pallet (*) PK = Package PU = Tray RL = Reel RO = Roll SW = Shrinkwrapped TN = Tin TU = Tube</p> <p>(*) EDIFICE code, not included in UN/ECE Recommendation No. 21 Other codes should be previously agreed between trading partners.</p>
1131	an..3	C Code list qualifier	N	
3055	an..3	C Code list responsible agency, coded	D	<p>Only used if the code is taken from EIDX documentation. 116 = US, ANSI ASC X12</p>
7064	an..35	C Type of packages	N	
C402		C PACKAGE TYPE IDENTIFICATION	N	
7077	an..3	M Item description type, coded	N	
7064	an..35	M Type of packages	N	
7143	an..3	C Item number type, coded	N	
7064	an..35	C Type of packages	N	
7143	an..3	C Item number type, coded	N	
C532		C RETURNABLE PACKAGE DETAILS	N	
8395	an..3	C Returnable package freight payment responsibility, coded	N	

Ref.	Rep.	Name	EDIFICE Utilisation	
8393	an..3	C Returnable package load contents, coded	N	

SG39 PAC-QTY**QTY QUANTITY**

Function: A segment specifying the number of products contained in the package type.

Usage : C 1

Notes :

Ref.	Rep.	Name		EDIFICE Utilisation
C186		M QUANTITY DETAILS	M	
6063	an..3	M Quantity qualifier	M	52 = Quantity per pack
6060	n..15	M Quantity	M	
6411	an..3	C Measure unit qualifier	N	

SG54 SCC-SG55

SCC SCHEDULING CONDITIONS

Function: A segment specifying a firm delivery.

Usage : M1

Notes :

Ref.	Rep.	Name		EDIFICE Utilisation
4017	an..3	M DELIVERY PLAN STATUS INDICATOR, CODED	M	1 = Firm
4493	an..3	C DELIVERY REQUIREMENTS, CODED	N	
C329		C PATTERN DESCRIPTION	N	
2013	an..3	C Frequency, coded	N	
2015	an..3	C Despatch pattern, coded	N	
2017	an..3	C Despatch pattern timing, coded	N	

SG55 QTY-DTM**QTY QUANTITY**

Function: A segment specifying a quantity.

Usage : M1

Notes : This segment is used to specify the breakdown of the total quotation line quantity into its constituent delivery quantities (i.e. multiple drops).

Ref.	Rep.	Name		EDIFICE Utilisation
C186		M QUANTITY DETAILS	M	447 = Quoted quantity (*) Should only be used if DE 6063 in QTY segment (SG27) = '447' 448 = Quoted delivery quantity (*) (*) EDIFICE code
6063	an..3	M Quantity qualifier	M	
6060	n..15	M Quantity	M	
6411	an..3	C Measure unit qualifier	N	

SG55 QTY-DTM**DTM DATE/TIME/PERIOD**

Function: A segment specifying the corresponding date of the quantity.

Usage : R 1

Notes :

Ref.	Rep.	Name		EDIFICE Utilisation
C507		M DATE/TIME/PERIOD	M	
2005	an..3	M Date/time/period qualifier	M	444 = Quoted delivery date (*) (*) EDIFICE code
2380	an..35	C Date/time/period	R	Date
2379	an..3	C Date/time/period format qualifier	R	102 = CCYYMMDD 203 = CCYYMMDDHHMM 303 = CCYYMMDDHHMMZZZ ZZZ = Time zone 304 = CCYYMMDDHHMMSSZZZ ZZZ = Time zone X03 = CCYYMMDDHHMMZZZZ (*) ZZZZ = Time zone X04 = CCYYMMDDHHMMSSZZZZ (*) ZZZZ = Time zone (*) EDIFICE code

UNS SECTION CONTROL

Function: A service segment separating the detail and summary sections.

Usage : M1

Notes :

Ref.	Rep.	Name	EDIFICE Utilisation	
0081	a1	M SECTION IDENTIFICATION	M	S = Detail/summary section separation

UNT MESSAGE TRAILER

Function: A service segment ending, and providing information for checking the completeness of a message.

Usage : M1

Notes : Refer to EDIFICE utilisation of the UN/EDIFACT service segments, Issue EDSS04.

Ref.	Rep.	Name	EDIFICE Utilisation	
0074	n..6	M NUMBER OF SEGMENTS IN A MESSAGE	M	Count of all segments in the message, UNH and UNT included.
0062	an..14	M MESSAGE REFERENCE NUMBER	M	Must be the same reference number as in DE 0062 of the UNH segment of this message.

EXAMPLES

EXAMPLE 1 PRICE QUOTATION

UNB+UNOC:3+234567891:1:X+198765432:1:X+971201:1924+66+X:AA+QUOTES+++1+X+1'
UNH+1+QUOTES:D:97A:UN:EDQT04'
BGM+361+Q001+34'
DTM+137:19970402:102'
DTM+36:19970601:102'
DTM+38:19970501:102'
RFF+AHU:RFQ1'
CUX+16:GBP:14'
NAD+SE+SUPPLIER CORP::91'
LIN+1+6+WIDGET:VP::92'
IMD++3'
QTY+447:1100:PCE'
PRI+AAA:25.50:SE::1:PCE'
RFF+LI::001'
UNS+S'
UNT+15+1'
UNZ+1+66'

EXAMPLE 2 PRICE AND DELIVERY QUOTATION

UNB+UNOC:3+234567891:1:X+198765432:1:X+971201:1924+66+X:AA+QUOTES+++1+X+1'
UNH+1+QUOTES:D:97A:UN:EDQT04'
BGM+363+Q003+34'
DTM+137:19970402:102'
DTM+157:19970406:102'
DTM+36:19970706:102'
ALI+++110'
RFF+AHU:RFQ3'
CUX+16:USD:14'
NAD+SE+SUPPLIER GMBH::91'
LIN+1+6+PRODUCT:VP::91'
QTY+448:1000:PCE'
QTY+449:1500:PCE'
PRI+AAA:55.10:BY::1:PCE'
RFF+LI::1'
SCC+1'
QTY+448:1000'
DTM+444:19970510:102'
LIN+2+5+ITEM CODE:VP::91'
RFF+LI::2'
UNS+S'
UNT+21+1'
UNZ+1+66'

EXAMPLE 3 DELIVERY QUOTATION

UNB+UNOC:3+234567891:1:X+198765432:1:X+971201:1924+66+X:AA+QUOTES++1+X+1'
UNH+1+QUOTES:D:97A:UN:EDQT04'
BGM+362+Q002+29'
DTM+137:19970402:102'
RFF+AHU:RFQ2'
NAD+SE+SUPPLIER::91'
LIN+1+5+ITEM ABC:VP::92'
UNS+S'
UNT+8+1'
UNZ+1+66'

EXAMPLE 4 SHIP & DEBIT PRICE QUOTATION

UNB+UNOC:3+234567891:1:X+198765432:1:X+971201:1924+66+X:AA+QUOTES++1+X+1'
UNH+1+QUOTES:D:97A:UN:EDQT04'
BGM+368+Q0006+34'
DTM+137:19970402:102'
DTM+36:19970801:102'
RFF+AHU:RFQ4'
CUX+16:GBP:14'
CUX+17:GBP:3'
NAD+SE+SUPPLIER LTD::91'
LIN+1+6+MATH COPROCESSOR:VP::91'
QTY+447:75:PCE'
PCD+5:29.5'
PRI+AAA:63.80:SE::1:PCE'
PRI+AAA:90.50:BY::1:PCE'
RFF+LI::1'
UNS+S'
UNT+16+1'
UNZ+1+66'

EXAMPLE 5 SHIP & DEBIT PRICE QUOTATION (Authorisation)

UNB+UNOC:3+234567891:1:X+198765432:1:X+971201:1924+66+X:AA+QUOTES++1+X+1'
UNH+1+QUOTES:D:97A:UN:EDQT04'
BGM+368+Q0006A+32'
DTM+137:19970404:102'
DTM+36:19970801:102'
RFF+AHU:RFQ4'
NAD+SE+SUPPLIER LTD::91'
LIN+1+5+MATH COPROCESSOR:VP::91'
RFF+LI::001'
UNS+S'
UNT+10+1'
UNZ+1+66'