



The European B2B Forum for the Electronics Industry

EDIFICE Message Implementation Guideline Price/Sales Catalogue

PRICAT Issue EDPC03

Endorsed 27 November 2002

Based on UN/EDIFACT D.97A PRICAT message

Copyright ©EDIFICE 2004

All rights reserved. No part of this publication may be reproduced or transmitted in any form or by any means without prior permission of EDIFICE.

Notwithstanding the fact that the utmost care has been observed in the collecting, drawing up and formulating of data, EDIFICE can under no circumstances be held liable for errors, omissions or misinterpretations as a result of the information compiled in the guidelines.

EDIFICE
The European B2B Forum for the Electronics Industry
EDIFICE secretariat
Dora Cresens
Tiensestraat 2
B-3320 Hoegaarden
Belgium
Tel: +32 16 76 54 40
Fax: +32 16 76 53 58
Email: Dora.Cresens@edifice.org

TABLE OF CONTENTS

<u>TITLE</u>	<u>PAGE</u>
COMPARISON TO PREVIOUS ISSUE	3
EDIFICE FUNCTIONAL DEFINITION	4
REFERENCES	5
EXPLANATORY NOTES	5
MESSAGE STRUCTURE CHART	6
BRANCHING DIAGRAM	7
SEGMENT GROUPS/SEGMENTS DESCRIPTION	10
UNH MESSAGE HEADER	14
BGM BEGINNING OF MESSAGE	15
DTM DATE/TIME/PERIOD	16
SG1 - RFF REFERENCE	17
SG1 - DTM DATE/TIME/PERIOD	18
SG2 - NAD NAME AND ADDRESS	19
SG3 - RFF REFERENCE	20
SG6 - CUX CURRENCIES	21
SG9 - TOD TERMS OF DELIVERY	22
SG9 - LOC PLACE/LOCATION IDENTIFICATION	23
SG16 - PGI PRODUCT GROUP INFORMATION	24
SG26 - NAD NAME AND ADDRESS	25
SG33 - LIN LINE ITEM	26
SG33 - PIA ADDITIONAL PRODUCT ID	27
SG33 - IMD ITEM DESCRIPTION	29
SG33 - QTY QUANTITY	30
SG33 - ALI ADDITIONAL INFORMATION	31
SG33 - DTM DATE/TIME/PERIOD	33
SG33 - FTX FREE TEXT	34
SG37 - PRI PRICE DETAILS	35
SG37 - RNG RANGE DETAILS	36
SG37 - DTM DATE/TIME/PERIOD	37
SG38 - ALC ALLOWANCE OR CHARGE	38
SG40 - PCD PERCENTAGE DETAILS	39
SG41 - MOA MONETARY AMOUNT	40
SG44 - PAC PACKAGE	42
SG44 - MEA MEASUREMENTS	44
UNT MESSAGE TRAILER	45
EXAMPLES	46- 47

COMPARISON TO PREVIOUS ISSUE

12 May 2004 : EDIFIX 5.0 Technical Upgrade

- The 'KMT' qualifier in SEG QTY, PRI, RNG and MEA DE 6411 is now defined as (*) EDIFICE code. UN/ECE Recommendation 20 specifies 'KTM' as qualifier for 'kilometre'.

21 May 2003: EDIFIX 4.2 Technical upgrade; review and correction of examples

Issue EDPC03 of 13 November 2002 is based on UN/EDIFACT D97.A / Code List D01.A

- Addition of the following code value:
 - o SG33, LIN segment, CO C212, DE 7143 code 'SRV' EAN.UCC Global Trade Item Number
 - o SG33, PIA segment, CO C212, DE 7143 code 'SRV' EAN.UCC Global Trade Item Number

Issue EDPC02 of 29 May 2002 – addition of recommended set of DTM qualifiers

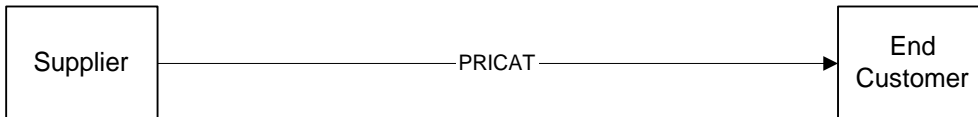
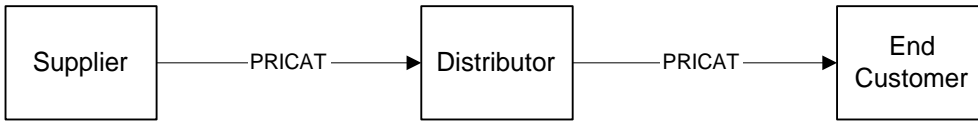
Issue EDPC02 includes the changes that have been made to the issue 1 of the Price/Sales Catalogue document endorsed by the EDIFICE Plenary on 29 November 1995. The changes are as follows:

- Recast from the 92.1 version of the UN/EDIFACT directory to the D.97A version,
- Addition of the following code values:
 - all NAD segments, DE 3055, code '16' DUNS (Dun & Bradstreet)
 - SG16, PGI segment, DE 5379, code 'WS' Worldwide-Semiconductors-Trade-Statistics number
 - SG33, PIA segment, DE 7143, codes 'CL' Color number
 - 'CV' Customs article number
 - 'DI' Distributor's part number
 - 'MF' Manufacturer's (producer's) article number
 - 'UP' UPC (Universal product code) and
 - 'WS' Worldwide-Semiconductors-Trade-Statistics number
 - SG33, PIA segment, DE 3055, codes '89' Assigned by distributor and
 - '113' US, UCC (Uniform Code Council)
 - SG33, IMD segment, DE 7081, code '26' Ship to line
 - SG37, PRI segment, CO C509, DE 5375, code 'INV' Invoice price
 - SG44, PAC segment, DE 7065, codes 'BLK90' Standard Bulk
 - 'REL90' Standard Reel
 - 'TRY90' Standard Tray
 - SG44, PAC segment, CO C202, DE 3055, code '116' US, ANSI ASC X12,
- Replacement of the following segment:
 - SG33, PIT segment to LIN segment (which now holds the primary reference),
- Replacement of the following codes:
 - SG33, PIA segment, CO C212, DE 7143, code 'ZEC' to 'AFE' Export Control Commodity number (ECCN)
 - SG33, QTY segment, DE 6063, code '45' to '164' Delivery batch
 - SG37, PRI segment, CO C509, DE 5125, code 'INV' to 'AAA' Calculation net and
 - 'AAB' Calculation gross
 - SG37, PRI segment, DE 5375, code 'MSR' to 'SR' Suggested retail
 - SG44, PAC segment, CO C202, DE 7065, code 'TR' to 'PU' Tray,
- Deletion of the following code values:
 - SG9, LOC segment, CO C517, DE 3055, code '6' UN/ECE (United Nations - Economic Commission for Europe)
 - SG33, PIA segment, DE 4347, code '5' Product identification
- Usage changed for the following segment groups/segments/data elements:
 - SG1, DTM segment, O1 to D1
 - SG6, R..5 to R..20
 - SG9, TOD segment, CO C100, DE 1131, X to D
 - SG9, TOD segment, CO C100, DE 3055, X to D
 - SG9, LOC segment, CO C517, DE 1131, X to D
 - SG9, LOC segment, CO C517, DE 3055, R to D
 - SG16, PGI segment, CO C288, DE 1131, R to N
 - SG16, PGI segment, CO C288, DE 5388, X to O
 - SG33, IMD segment, DE 7077, R to D
 - SG33, IMD segment, CO C273, A to D
 - SG33, IMD segment, CO C273, DE 7009, O to A
 - SG33, IMD segment, CO C273, DE 7008, O to D
 - SG33, ALI segment, 1st DE 4183, R to D
 - SG44, PAC segment, CO C202, DE 7064, O to D,

- Where UN/ECE Recommendations are referenced the most commonly used codes have been identified,
- Alignment of segments and composite data elements to ensure conformance (data harmonization) across all EDIFICE Implementation Guidelines,
- Update of the REFERENCES and EXPLANATORY NOTES sections to comply with the EDIFICE Standards for Documentation of Message Implementation Guidelines issue 3,
- Update of examples,
- Documentation adjustments resulting from the use of GEFEG's EdiFix Message Implementation Guidelines documentation tool,
- Correction of typographical errors.

EDIFICE PRICAT FUNCTIONAL DEFINITION

The EDIFICE PRICAT message guideline is intended to support the transmission of price list information related to products offered by a supplier to his distributors or customers, or a distributor to his end customers.



This core version of the message focuses on the area of supply of electronic components. However, complex product structures (e.g. configurations) are not provided for.

The EDIFICE PRICAT message guideline is designed to transport information related to uniquely identified products. This information comprises:

- product identification,
- marketing information, (e.g. product life cycle information)
- logistics information,
- price information.

In the area of distribution of electronic components, the PRICAT message is a source of information given by manufacturers to distributors to support the business activities dealing with quotations, product availability, stock management, ship from stock and debit, ordering, etc.

The PRICAT message should be used for commercial information related to products and prone to frequent changes, such as price, discount and availability. More stable information, such as the technical description of products, should be communicated using the UN/EDIFACT Product Data Message (PRODAT).

The EDIFICE PRICAT message guideline supports two functions:

- change function - to communicate changes to be applied to an existing price list,
- replace function - a complete replacement of an existing price list.

One of these two functions must be indicated in the header section of the message (BGM segment, DE 1225).

The change function is further qualified at the detail level of the message (LIN segment, DE 1229) to indicate the following types of changes:

- addition - to add an item to an existing price list
- deletion - to delete an item from an existing price list.
- change - to modify information on an existing item in an existing price list.

The following data must be transmitted when using the change function:

- Those required to identify the individual products (PIA in SG33).
- All segments below the LIN segment, when there is a change in one of them.

The change function applies to data at detail level of the message and cannot be applied only to data which occurs at header level.

Prices are expressed in a single reference currency for the whole message. Rates of exchange may be given for the conversion of prices in the reference currency to prices in target currencies.

REFERENCES

Refer to the document : Reference list for the EDIFICE message guidelines – Issue 1

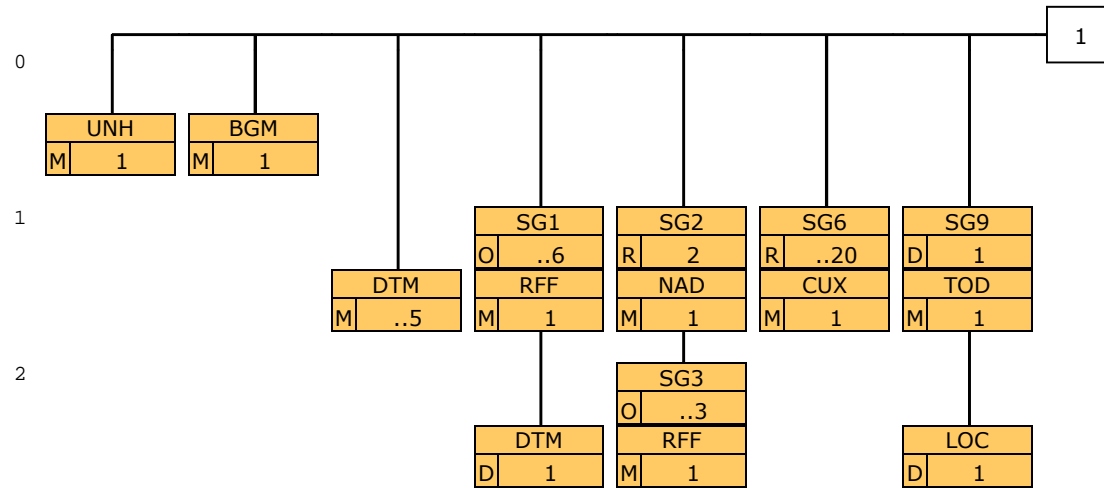
EXPLANATORY NOTES

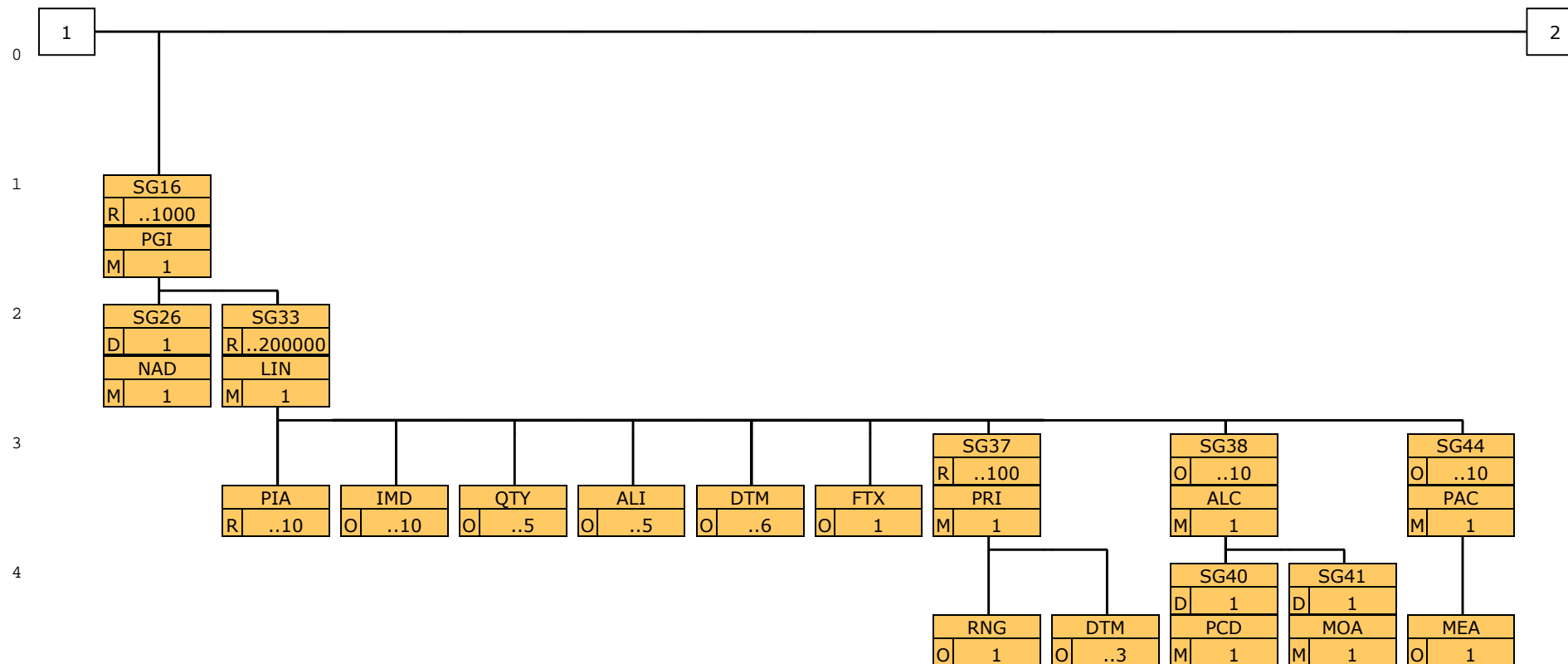
Refer to the document : Explanatory notes for the EDIFICE message guidelines – Issue 1

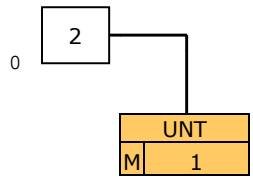
MESSAGE STRUCTURE CHART

UNH	MESSAGE HEADER	M1
BGM	BEGINNING OF MESSAGE	M1
DTM	DATE/TIME/PERIOD	M..5
SG1		O..6
RFF	REFERENCE	M1
DTM	DATE/TIME/PERIOD	D1
SG2		R2
NAD	NAME AND ADDRESS	M1
SG3		O..3
RFF	REFERENCE	M1
SG6		R..20
CUX	CURRENCIES	M1
SG9		D1
TOD	TERMS OF DELIVERY OR TRANSPORT	M1
LOC	PLACE/LOCATION IDENTIFICATION	D1
SG16		R..1000
PGI	PRODUCT GROUP INFORMATION	M1
SG26		D1
NAD	NAME AND ADDRESS	M1
SG33		R..200000
LIN	LINE ITEM	M1
PIA	ADDITIONAL PRODUCT ID	R..10
IMD	ITEM DESCRIPTION	O..10
OTY	QUANTITY	O..5
ALI	ADDITIONAL INFORMATION	O..5
DTM	DATE/TIME/PERIOD	O..6
FTX	FREE TEXT	O1
SG37		R..100
PRI	PRICE DETAILS	M1
RNG	RANGE DETAILS	O1
DTM	DATE/TIME/PERIOD	O..3
SG38		O..10
ALC	ALLOWANCE OR CHARGE	M1
SG40		D1
PCD	PERCENTAGE DETAILS	M1
SG41		D1
MOA	MONETARY AMOUNT	M1
SG44		O..10
PAC	PACKAGE	M1
MEA	MEASUREMENTS	O1
UNT	MESSAGE TRAILER	M1

BRANCHING DIAGRAM







SEGMENT GROUPS/SEGMENTS DESCRIPTION

UNH MESSAGE HEADER

Function: A service segment heading, and uniquely identifying the message.
Usage : M1

BGM BEGINNING OF MESSAGE

Function: A segment uniquely identifying the message by means of its coded name, number and function.
Usage : M1

DTM DATE/TIME/PERIOD

Function: A segment specifying the date of creation of the message and, other dates relevant to the whole message.
Usage : M..5

SG1 RFF-DTM

Function: A group of segments referencing documents and their dates, relating to the whole message.
Usage : O..6
Notes : The DTM segment must be sent where local law requires the date of a reference document to be sent.

RFF REFERENCE

Function: A segment specifying a document reference number.
Usage : M1

DTM DATE/TIME/PERIOD

Function: A segment specifying the date of the reference document.
Usage : D1

SG2 NAD-SG3

Function: A group of segments identifying the parties involved and their associated information, relevant to the whole message.
Usage : R2
Notes : The receiver of the Price/Sales Catalogue message is identified as 'buyer'.
The sender of the Price/Sales Catalogue message is identified as 'seller'.

NAD NAME AND ADDRESS

Function: A segment identifying the function and coded identification, name and address of a party involved.
Usage : M1

SG3 RFF

Function: A group of segments giving references relating to the identified party involved.
Usage : O..3
Notes :

RFF REFERENCE

Function: A segment specifying a company specific reference.
Usage : M1

SG6 CUX

Function: A group of segments specifying currencies, valid for the whole message.
Usage : R..20

Notes : At present the maximum occurrence of this segment group is 5. EDIFICE has raised a DMR to increase the number of occurrences to 20.
At least one occurrence of the CUX segment must be present holding the reference currency in which prices are quoted. The segment group allows for up to 20 target currencies and their exchange rates relative to the reference currency.

CUX CURRENCIES

Function: A segment specifying the reference and target currency for all prices and/or amounts.
Usage : M1

SG9 TOD-LOC

Function: A group of segments indicating the terms of delivery for the whole message.
Usage : D1
Notes : To be used only if it is necessary to be specific about terms of delivery and the relevant location points.
The LOC segment is only used if the terms of delivery ('F' & 'C') require a named location/place.

TOD TERMS OF DELIVERY OR TRANSPORT

Function: A segment specifying the transport charge method and applicable terms of delivery.
Usage : M1

LOC PLACE/LOCATION IDENTIFICATION

Function: A segment identifying a location or place required for the terms of delivery.
Usage : D1

SG16 PGI-SG26-SG33

Function: A group of segments providing details of the product groups, individual items and related price information.
Usage : R..1000
Notes : When DE 5379 '4' ('Group of products with the same price') is used in segment PGI, the price information for the group (SG37) must be included in the first occurrence of SG33. SG26 is only used when products are grouped by supplier or manufacturer and it is required to provide information identifying the supplier or manufacturer.

PGI PRODUCT GROUP INFORMATION

Function: A segment identifying the type of grouping.
Usage : M1

SG26 NAD

Function: A group of segments identifying the parties involved and their associated information, relevant to a product group.
Usage : D1
Notes :

NAD NAME AND ADDRESS

Function: A segment identifying the function and coded identification, name and address of a party involved.
Usage : M1

SG33 LIN-PIA-IMD-QTY-ALI-DTM-FTX-SG37-SG38-SG44

Function: A group of segments providing details of the individual line items i.e. offered products.
Usage : R..200000
Notes :

LIN LINE ITEM

Function: A segment identifying a line item by its item number, and agreed to be the primary reference number between the buyer and seller.
The segment also carries a sequence number assigned to the line item within the message, and the action taken.

Usage : M1

PIA ADDITIONAL PRODUCT ID

Function: A segment providing supplementary identification for the line item.

Usage : R..10

IMD ITEM DESCRIPTION

Function: A segment specifying a characteristic and/or an additional description in clear or coded form, for the line item.

Usage : O..10

QTY QUANTITY

Function: A segment providing information about a possible order or delivery quantity for the line item.

Usage : O..5

ALI ADDITIONAL INFORMATION

Function: A segment indicating that special conditions due to the origin, customs preference, fiscal or commercial factors are applicable to the line item.

Usage : O..5

DTM DATE/TIME/PERIOD

Function: A segment specifying a relevant date for the line item.

Usage : O..6

FTX FREE TEXT

Function: A segment providing a clear, free form text description for the line item.

Usage : O1

SG37 PRI-RNG-DTM

Function: A group of segments specifying pricing information for the line item.

Usage : R..100

Notes : The RNG segment is only used if quantity ranges need to be transmitted for a price.

PRI PRICE DETAILS

Function: A segment specifying the line item price and the qualifying information.

Usage : M1

RNG RANGE DETAILS

Function: A segment specifying the quantity range applicable to the specified line item price.

Usage : O1

DTM DATE/TIME/PERIOD

Function: A segment specifying a promotion period start or end date or the effective date of the specified line item price.

Usage : O..3

SG38 ALC-SG40-SG41

Function: A group of segments specifying allowances and/or charges for the line item.

Usage : O..10

Notes : The group occurs once for each allowance or charge. Within the group there must be one occurrence of either SG40 or SG41.

ALC ALLOWANCE OR CHARGE

Function: A segment specifying an allowance or charge, its settlement and calculation sequence.
Usage : M1

SG40 PCD

Function: A group of segments specifying an allowance or charge as a percentage.
Usage : D1
Notes :

PCD PERCENTAGE DETAILS

Function: A segment specifying a discount or charge percentage.
Usage : M1

SG41 MOA

Function: A group of segments specifying an allowance or charge as an amount.
Usage : D1
Notes : Currency of monetary amount is determined by the header CUX segment and reference currency cannot be different here.

MOA MONETARY AMOUNT

Function: A segment specifying the monetary amount of an allowance or charge.
Usage : M1

SG44 PAC-MEA

Function: A group of segments specifying product packaging information for the line item.
Usage : O..10
Notes : This segment group should be repeated for each package type available for the line item.

PAC PACKAGE

Function: A segment specifying the product package type.
Usage : M1

MEA MEASUREMENTS

Function: A segment specifying the number of products contained in the package type.
Usage : O1

UNT MESSAGE TRAILER

Function: A service segment ending, and providing information for checking the completeness of a message.
Usage : M1

SEGMENT DETAILS



UNH MESSAGE HEADER

Function: A service segment heading, and uniquely identifying the message.

Usage : M1

Notes : Refer to EDIFICE Utilisation of the UN/EDIFACT Service Segments, Issue EDSS04

Ref.	Rep.	Name		EDIFICE Utilisation
0062	an..14	M MESSAGE REFERENCE NUMBER	M	Transmission message count from 1
S009		M MESSAGE IDENTIFIER	M	
0065	an..6	M Message type identifier	M	PRICAT = Price/sales catalogue message
0052	an..3	M Message type version number	M	D = Draft version/UN/EDIFACT Directory
0054	an..3	M Message type release number	M	97A = Release 1997 - A
0051	an..2	M Controlling agency	M	UN = UN/CEFACT
0057	an..6	C Association assigned code	R	EDPC03 = Price/sales catalogue Issue EDPC03
0068	an..35	C COMMON ACCESS REFERENCE	N	
S010		C STATUS OF THE TRANSFER	N	
0070	n..2	M Sequence message transfer number	N	
0073	a1	C First/last sequence message transfer indication	N	

BGM BEGINNING OF MESSAGE

Function: A segment uniquely identifying the message by means of its coded name, number and function.

Usage : M1

Notes :

Ref.	Rep.	Name		EDIFICE Utilisation
C002		C DOCUMENT/MESSAGE NAME	R	
1001	an..3	C Document/message name, coded	R	9 = Price/sales catalogue
1131	an..3	C Code list qualifier	N	
3055	an..3	C Code list responsible agency, coded	N	
1000	an..35	C Document/message name	N	
C106		C DOCUMENT/MESSAGE IDENTIFICATION	R	
1004	an..35	C Document/message number	R	Unique price/sales catalogue number assigned by the document sender.
1056	an..9	C Version	N	
1060	an..6	C Revision number	N	
1225	an..3	C MESSAGE FUNCTION, CODED	R	4 = Change This code is used to change an existing price list already known by the trading partner. In this case, any detail level changes must be further qualified in SG33, LIN segment, DE 1229.
				5 = Replace This code is used to completely replace an existing price list.
4343	an..3	C RESPONSE TYPE, CODED	N	

DTM DATE/TIME/PERIOD

Function: A segment specifying the date of creation of the message and, other dates relevant to the whole message.

Usage : M..5

Notes : This information is applicable to the whole message. It may be overridden for individual products by information in SG33 DTM. At least two DTM segments must be present specifying the document creation date and the effective date.

Ref.	Rep.	Name		EDIFICE Utilisation
C507		M DATE/TIME/PERIOD	M	7 = Effective date/time Date at which the price/sales catalogue information becomes effective. 36 = Expiry date Date of expiry of the validity of the price/sales catalogue information. 63 = Delivery date/time, latest Last possible date for delivery of products. 117 = Delivery date/time, first First possible date for delivery of products. 137 = Document/message date/time Date when the document is created.
2005	an..3	M Date/time/period qualifier	M	
2380	an..35	C Date/time/period	R	102 = CCYYMMDD 203 = CCYYMMDDHHMM 303 = CCYYMMDDHHMMZZZ ZZZ = Time zone 304 = CCYYMMDDHHMMSSZZZ ZZZ = Time zone X03 = CCYYMMDDHHMMZZZZZ (*) ZZZZZ = Time zone X04 = CCYYMMDDHHMMSSZZZZZ (*) ZZZZZ = Time zone (*) EDIFICE code
2379	an..3	C Date/time/period format qualifier	R	

SG1 RFF-DTM**RFF REFERENCE**

Function: A segment specifying a document reference number.

Usage : M1

Notes :

Ref.	Rep.	Name		EDIFICE Utilisation
C506		M REFERENCE	M	
1153	an..3	M Reference qualifier	M	AAD = Contract addendum number CR = Customer reference number Reference number assigned by the customer to a transaction. CS = Condition of sale document number Reference number identifying the conditions of sale relevant to a sale. CT = Contract number GC = Government contract number PL = Price list number Reference to a previous Price/Sales Catalogue message.
1154	an..35	C Reference number	R	
1156	an..6	C Line number	N	
4000	an..35	C Reference version number	N	

SG1 RFF-DTM

DTM DATE/TIME/PERIOD

Function: A segment specifying the date of the reference document.

Usage : D 1

Notes :

Ref.	Rep.	Name		EDIFICE Utilisation
C507		M DATE/TIME/PERIOD	M	
2005	an..3	M Date/time/period qualifier	M	171 = Reference date/time
2380	an..35	C Date/time/period	R	
2379	an..3	C Date/time/period format qualifier	R	102 = CCYYMMDD 203 = CCYYMMDDHHMM 303 = CCYYMMDDHHMMZZZ ZZZ = Time zone 304 = CCYYMMDDHHMMSSZZZ ZZZ = Time zone X03 = CCYYMMDDHHMMZZZZZ (*) ZZZZZ = Time zone X04 = CCYYMMDDHHMMSSZZZZZ (*) ZZZZZ = Time zone (*) EDIFICE code

SG2 NAD-SG3

NAD NAME AND ADDRESS

Function: A segment identifying the function and coded identification, name and address of a party involved.

Usage : M1

Notes : It is advised that the party identification CO C082 be used. When CO C082 cannot be used it is recommended to use the structured name and address CO C080 through DE 3207 rather than the unstructured one CO C058.

Ref.	Rep.	Name		EDIFICE Utilisation
3035	an..3	M PARTY QUALIFIER	M	BY = Buyer Party to which merchandise is sold. SE = Seller Party selling merchandise to a buyer.
C082		C PARTY IDENTIFICATION DETAILS	A	
3039	an..35	M Party id. identification	M	
1131	an..3	C Code list qualifier	N	
3055	an..3	C Code list responsible agency, coded	R	9 = EAN (International Article Numberingassociation) 16 = DUNS (Dun & Bradstreet) 91 = Assigned by seller or seller's agent 92 = Assigned by buyer or buyer's agent
C058		C NAME AND ADDRESS	D	
3124	an..35	M Name and address line	M	
3124	an..35	C Name and address line	O	
3124	an..35	C Name and address line	O	
3124	an..35	C Name and address line	O	
3124	an..35	C Name and address line	O	
C080		C PARTY NAME	D	
3036	an..35	M Party name	M	
3036	an..35	C Party name	O	
3036	an..35	C Party name	O	
3036	an..35	C Party name	O	
3036	an..35	C Party name	O	
3045	an..3	C Party name format, coded	N	
C059		C STREET	D	
3042	an..35	M Street and number/p.o. box	M	
3042	an..35	C Street and number/p.o. box	O	
3042	an..35	C Street and number/p.o. box	O	
3042	an..35	C Street and number/p.o. box	O	
3164	an..35	C CITY NAME	D	
3229	an..9	C COUNTRY SUB-ENTITY IDENTIFICATION	D	
3251	an..9	C POSTCODE IDENTIFICATION	D	
3207	an..3	C COUNTRY, CODED	D	Use ISO 3166, 2 alpha code

SG3 RFF**RFF REFERENCE**

Function: A segment specifying a company specific reference.

Usage : M1

Notes :

Ref.	Rep.	Name		EDIFICE Utilisation
C506		M REFERENCE	M	GN = Government reference number VA = VAT registration number XA = Company/place registration number
1153	an..3	M Reference qualifier	M	
1154	an..35	C Reference number	R	
1156	an..6	C Line number	N	
4000	an..35	C Reference version number	N	

SG6 CUX
CUX CURRENCIES

Function: A segment specifying the reference and target currency for all prices and/or amounts.

Usage : M1

Notes : Prices and amounts are all stated in the reference currency. Prices in the reference currency may also be converted to other target currencies. The rate of exchange is a coefficient assigned by the seller and may take account of factors in his policy other than international financial markets.

If there is more than one occurrence of CUX the same reference currency must be present in all of them.

The general rule for calculating the target currency amount is as follows:
 Amount in Reference Currency x Rate of Exchange = Amount in Target Currency

Ref.	Rep.	Name	EDIFICE Utilisation	
C504		C CURRENCY DETAILS	R	
6347	an..3	M Currency details qualifier	M	2 = Reference currency 3 = Target currency
6345	an..3	C Currency, coded	R	Use ISO 4217, 3 alpha code 8 = Price list currency
6343	an..3	C Currency qualifier	R	
6348	n..4	C Currency rate base	N	
C504		C CURRENCY DETAILS	D	
6347	an..3	M Currency details qualifier	M	2 = Reference currency 3 = Target currency
6345	an..3	C Currency, coded	R	Use ISO 4217, 3 alpha code 8 = Price list currency
6343	an..3	C Currency qualifier	R	
6348	n..4	C Currency rate base	O	
5402	n..12	C RATE OF EXCHANGE	D	
6341	an..3	C CURRENCY MARKET EXCHANGE, CODED	N	

SG9 TOD-LOC

TOD TERMS OF DELIVERY OR TRANSPORT

Function: A segment specifying the transport charge method and applicable terms of delivery.

Usage : M1

Notes :

Ref.	Rep.	Name		EDIFICE Utilisation
4055	an..3	C TERMS OF DELIVERY OR TRANSPORT FUNCTION, CODED	R	6 = Delivery condition
4215	an..3	C TRANSPORT CHARGES METHOD OF PAYMENT, CODED	O	CC = Collect A shipment on which freight charges will be paid by consignee. DF = Defined by buyer and seller PC = Prepaid but charged to customer PP = Prepaid (by seller)
C100		C TERMS OF DELIVERY OR TRANSPORT	R	
4053	an..3	C Terms of delivery or transport, coded	R	Use UN/ECE Recommendation no.5, Incoterms 1990 (see next table). Incoterms code list: Group E - Departure EXW = Ex works Group F - Main carriage unpaid FAS = Free alongside ship FCA = Free carrier FOB = Free on Board Group C - Main carriage paid CFR = Cost and freight CIF = Cost, insurance and freight CIP = Carriage and insurance paid to CPT = Carriage paid to Group D - Arrival DAF = Delivered at frontier DDP = Delivered duty paid DDU = Delivered duty unpaid DEQ = Delivered ex quay DES = Delivered ex ship If not applicable, use code from another appropriate code set in DE 4053 in combination with DE 1131/3055.
1131	an..3	C Code list qualifier	D	
3055	an..3	C Code list responsible agency, coded	D	
4052	an..70	C Terms of delivery or transport	N	
4052	an..70	C Terms of delivery or transport	N	

SG9 TOD-LOC

LOC PLACE/LOCATION IDENTIFICATION

Function: A segment identifying a location or place required for the terms of delivery.

Usage : D 1

Notes :

Ref.	Rep.	Name		EDIFICE Utilisation
3227	an..3	M PLACE/LOCATION QUALIFIER	M	1 = Place of terms of delivery Use UN/ECE Recommendation no.16, UNLOCODE. If not applicable, use codes from another appropriate code set in combination with DE 1131/3055.
C517		C LOCATION IDENTIFICATION	R	
3225	an..25	C Place/location identification	R	
1131	an..3	C Code list qualifier	D	3 = IATA (International Air Transport Association) 91 = Assigned by seller or seller's agent 92 = Assigned by buyer or buyer's agent
3055	an..3	C Code list responsible agency, coded	D	
3224	an..70	C Place/location	N	
C519		C RELATED LOCATION ONE IDENTIFICATION	N	
3223	an..25	C Related place/location one identification	N	
1131	an..3	C Code list qualifier	N	
3055	an..3	C Code list responsible agency, coded	N	
3222	an..70	C Related place/location one	N	
C553		C RELATED LOCATION TWO IDENTIFICATION	N	
3233	an..25	C Related place/location two identification	N	
1131	an..3	C Code list qualifier	N	
3055	an..3	C Code list responsible agency, coded	N	
3232	an..70	C Related place/location two	N	
5479	an..3	C RELATION, CODED	N	

SG16 PGI-SG26-SG33**PGI PRODUCT GROUP INFORMATION**

Function: A segment identifying the type of grouping.

Usage : M1

Notes :

Ref.	Rep.	Name		EDIFICE Utilisation
5379	an..3	M PRODUCT GROUP TYPE, CODED	M	2 = No price group used 4 = Group of products with same price PF = Product family (*) MF = Group of products supplied by same manufacturer (*) SU = Group of products supplied by same supplier (*) WS = Worldwide-Semiconductors-Trade-Statistics number (*) (*) EDIFICE code
C288		C PRODUCT GROUP	O	This composite can be used to provide a pricing or product group code and description as agreed between the trading partners.
5389	an..3	C Product group, coded	O	
1131	an..3	C Code list qualifier	N	
3055	an..3	C Code list responsible agency, coded	N	
5388	an..35	C Product group	O	

SG26 NAD

NAD NAME AND ADDRESS

Function: A segment identifying the function and coded identification, name and address of a party involved.

Usage : M1

Notes : It is advised that the party identification CO C082 be used. When CO C082 cannot be used it is recommended to use the structured name and address CO C080 through DE 3207 rather than the unstructured one CO C058.

Ref.	Rep.	Name		EDIFICE Utilisation
3035	an..3	M PARTY QUALIFIER	M	MF = Manufacturer of goods SU = Supplier 9 = EAN (International Article Numbering association) 16 = DUNS (Dun & Bradstreet) 91 = Assigned by seller or seller's agent 92 = Assigned by buyer or buyer's agent
C082		C PARTY IDENTIFICATION DETAILS	A	
3039	an..35	M Party id. identification	M	
1131	an..3	C Code list qualifier	N	
3055	an..3	C Code list responsible agency, coded	R	
C058		C NAME AND ADDRESS	D	
3124	an..35	M Name and address line	M	
3124	an..35	C Name and address line	O	
3124	an..35	C Name and address line	O	
3124	an..35	C Name and address line	O	
3124	an..35	C Name and address line	O	
C080		C PARTY NAME	D	
3036	an..35	M Party name	M	
3036	an..35	C Party name	O	
3036	an..35	C Party name	O	
3036	an..35	C Party name	O	
3036	an..35	C Party name	O	
3045	an..3	C Party name format, coded	N	
C059		C STREET	D	
3042	an..35	M Street and number/p.o. box	M	
3042	an..35	C Street and number/p.o. box	O	
3042	an..35	C Street and number/p.o. box	O	
3042	an..35	C Street and number/p.o. box	O	
3164	an..35	C CITY NAME	D	
3229	an..9	C COUNTRY SUB-ENTITY IDENTIFICATION	D	
3251	an..9	C POSTCODE IDENTIFICATION	D	
3207	an..3	C COUNTRY, CODED	D	Use ISO 3166, 2 alpha code

SG33 LIN-PIA-IMD-QTY-ALI-DTM-FTX-SG37-SG38-SG44

LIN LINE ITEM

Function: A segment identifying a line item by its item number, and agreed to be the primary reference number between the buyer and seller.
 The segment also carries a sequence number assigned to the line item within the message, and the action taken.

Usage : M1

Notes : The LIN segment acts as the trigger segment for information related to one line item.
 When DE 1225 in BGM is set to '4' (change) it is necessary to explicitly indicate in DE 1229 what modification applies to the line item.

Ref.	Rep.	Name		EDIFICE Utilisation
1082	an..6	C LINE ITEM NUMBER	R	It is required to assign a number to the line items within a message. The number is assigned by the sender of the message. The first line item within a message will be numbered 1 and further line items will be incremented by 1 for each new line. 1 = Added This code is used to add an item to an existing price list. 2 = Deleted This code is used to delete an item from an existing price list. In the case of deletion, only the LIN segment need be sent. 3 = Changed This code is used to modify information on an existing item in an existing price list.
1229	an..3	C ACTION REQUEST/NOTIFICATION, CODED	D	
C212		C ITEM NUMBER IDENTIFICATION	R	Primary reference BP = Buyer's part number DI = Distributor's part number (*) EN = International Article Numbering Association (EAN) MF = Manufacturer's (producer's) article number SRV = EAN.UCC Global Trade Item Number UP = UPC (Universal product code) VP = Vendor's (seller's) part number (*) EDIFICE code 9 = EAN (International Article Numbering association) 89 = Assigned by distributor 90 = Assigned by manufacturer 91 = Assigned by seller or seller's agent 92 = Assigned by buyer or buyer's agent 113 = US, UCC (Uniform Code Council)
7140	an..35	C Item number	R	
7143	an..3	C Item number type, coded	R	
1131	an..3	C Code list qualifier	N	
3055	an..3	C Code list responsible agency, coded	R	
C829		C SUB-LINE INFORMATION	N	
5495	an..3	C Sub-line indicator, coded	N	
1082	an..6	C Line item number	N	
1222	n..2	C CONFIGURATION LEVEL	N	
7083	an..3	C CONFIGURATION, CODED	N	

SG33 LIN-PIA-IMD-QTY-ALI-DTM-FTX-SG37-SG38-SG44**PIA ADDITIONAL PRODUCT ID**

Function: A segment providing supplementary identification for the line item.

Usage : R..10

Notes : The 5 internal repetitions of CO C212 may be used, but EDIFICE recommends to only use the first occurrence.

Ref.	Rep.	Name		EDIFICE Utilisation
4347	an..3	M PRODUCT ID. FUNCTION QUALIFIER	M	<p>1 = Additional identification To provide additional identification(s) for the item identified in the LIN segment. The additional identification can consist of:</p> <ul style="list-style-type: none"> - A supplemental identification which provides more information complementary to the primary reference number e.g., a batch number, promotional variant number, grouping code. - An alternative identification e.g., a buyer's part number. <p>2 = Identification for potential substitution To provide the article number of an item which can be substituted for the primary reference number.</p> <p>3 = Substituted by To provide the article number of an item which is permanently substituted for the primary reference number.</p> <p>4 = Substituted for To provide the article number of an item which has been substituted by the primary reference number.</p>
C212		M ITEM NUMBER IDENTIFICATION	M	
7140	an..35	C Item number	R	
7143	an..3	C Item number type, coded	R	<p>AFE = Export Control Commodity number (ECCN) (*) Export control classification of the USA. BP = Buyer's part number CL = Color number CV = Customs article number DI = Distributor's part number (*) DR = Drawing revision number DW = Drawing EC = Engineering change level EN = International Article Numbering Association (EAN) HS = Harmonised system Code classifying products according to the Customs Co-operation Council Nomenclature 'Harmonized System'. MF = Manufacturer's (producer's) article number NB = Batch number PV = Promotional variant number SG = Standard group of products (mixed assortment) SRV = EAN.UCC Global Trade Item Number UP = UPC (Universal product code) VP = Vendor's (seller's) part number WS = Worldwide-Semiconductors-Trade-Statistics number (*) (*) EDIFICE code</p>
1131	an..3	C Code list qualifier	N	

Ref.	Rep.	Name	EDIFICE Utilisation	
3055	an..3	C Code list responsible agency, coded	R	9 = EAN (International Article Numbering association) 89 = Assigned by distributor 90 = Assigned by manufacturer 91 = Assigned by seller or seller's agent 92 = Assigned by buyer or buyer's agent 113 = US, UCC (Uniform Code Council) 251 = Assigned by industry/national grouping agency (*) (*) EDIFICE code
C212		C ITEM NUMBER IDENTIFICATION	O	As for first CO C212
7140	an..35	C Item number	R	
7143	an..3	C Item number type, coded	R	
1131	an..3	C Code list qualifier	N	
3055	an..3	C Code list responsible agency, coded	R	
C212		C ITEM NUMBER IDENTIFICATION	O	As for first CO C212
7140	an..35	C Item number	R	
7143	an..3	C Item number type, coded	R	
1131	an..3	C Code list qualifier	N	
3055	an..3	C Code list responsible agency, coded	R	
C212		C ITEM NUMBER IDENTIFICATION	O	As for first CO C212
7140	an..35	C Item number	R	
7143	an..3	C Item number type, coded	R	
1131	an..3	C Code list qualifier	N	
3055	an..3	C Code list responsible agency, coded	R	
C212		C ITEM NUMBER IDENTIFICATION	O	As for first CO C212
7140	an..35	C Item number	R	
7143	an..3	C Item number type, coded	R	
1131	an..3	C Code list qualifier	N	
3055	an..3	C Code list responsible agency, coded	R	

SG33 LIN-PIA-IMD-QTY-ALI-DTM-FTX-SG37-SG38-SG44
IMD ITEM DESCRIPTION

Function: A segment specifying a characteristic and/or an additional description in clear or coded form, for the line item.

Usage : O..10

Notes : If both coded and free-form descriptions are required then the IMD segment must be repeated.

Ref.	Rep.	Name		EDIFICE Utilisation
7077	an..3	C ITEM DESCRIPTION TYPE, CODED	R	C = Code (from industry code list) F = Free-form S = Structured (from industry code list) 3 = Ship to stock
7081	an..3	C ITEM CHARACTERISTIC, CODED	O	i.e. straight to stock, without any need of inspection at the receiving end 13 = Quality 26 = Ship to line ZSI = Software included (*) ZLR = Software licence required (*) (*) EDIFICE code
C273		C ITEM DESCRIPTION	D	Use DE 7009 for a coded description. If no code is available use DE 7008 instead.
7009	an..17	C Item description identification	A	CU = Consumer unit (*) DU = Despatch unit (*) IT = Intermediate unit (*) TU = Traded (Order) unit (*) HN = Handling unit (*) IN = Invoicing unit (*) NO = Not an ordering unit (*) VQ = Variable quantity product (*) SG = Standard group of products (mixed assortment) (*) SU = Smallest unit (*) EDIFICE code
1131	an..3	C Code list qualifier	N	
3055	an..3	C Code list responsible agency, coded	N	
7008	an..35	C Item description	D	
7008	an..35	C Item description	O	
3453	an..3	C Language, coded	N	
7383	an..3	C SURFACE/LAYER INDICATOR, CODED	N	

SG33 LIN-PIA-IMD-QTY-ALI-DTM-FTX-SG37-SG38-SG44

QTY QUANTITY

Function: A segment providing information about a possible order or delivery quantity for the line item.

Usage : 0..5

Notes :

Ref.	Rep.	Name	EDIFICE Utilisation
C186		M QUANTITY DETAILS	M
6063	an..3	M Quantity qualifier	M
6060	n..15	M Quantity	M
6411	an..3	C Measure unit qualifier	R

53 = Minimum order quantity
 54 = Maximum order quantity
 59 = Numbers of consumer units in the traded unit
 164 = Delivery batch
 OIQ = Order increment quantity (*)
 (*) EDIFICE code

Use the following codes from UN/ECE Recommendation no.20, Codes for Units of Measurement:
 CLT = centilitre
 CMT = centimetre
 GRM = gram
 KGM = kilogram
 KMT = kilometre (*)
 LTR = litre
 MGM = milligram
 MMT = millimetre
 MTK = square metre
 MTQ = cubic metre
 MTR = metre
 PCE = piece (*)
 (*) EDIFICE code, not included in UN/ECE Recommendation No. 20
 Other codes should be previously agreed between trading partners.

SG33 LIN-PIA-IMD-QTY-ALI-DTM-FTX-SG37-SG38-SG44

ALI ADDITIONAL INFORMATION

Function: A segment indicating that special conditions due to the origin, customs preference, fiscal or commercial factors are applicable to the line item.

Usage : 0..5

Notes :

Ref.	Rep.	Name	EDIFICE Utilisation	
3239	an..3	C COUNTRY OF ORIGIN, CODED	A	Use ISO 3166, 2 alpha code
9213	an..3	C TYPE OF DUTY REGIME, CODED	N	

Ref.	Rep.	Name	EDIFICE Utilisation
4183	an..3	C SPECIAL CONDITIONS, CODED	<p>D</p> <p>1 = Item for national preference 6 = Subject to bonus 9 = Freely available in EEC 16 = Subject to embargo restriction 18 = Item subject to national export restrictions 20 = Item subject to import restrictions CSR = Contact supplier (*) LPR = Less popular (*) NCO = Non-cancellable order (*) NPD = Not preferred (*) OAN = On allocation (*) PPR = Subject to price protection (*) PTP = Push type (*) SCA = Ship & credit allowed (*) SDA = Special/dedicated application (*) SDP = Subject to design protection (*) SSC = Sole source (*) STA = Stock return allowed (*) TPR = Thrust product (*) E1 = New, announcement only (*)</p> <p>Life cycle stage 2 E2 = New, available (*)</p> <p>Life cycle stage 3 E3 = Obsolete (*)</p> <p>Life cycle stage 7 E4 = Prototype (*)</p> <p>Life cycle stage 1 L = Last buy (*)</p> <p>Life cycle stage 6 P = Production (*)</p> <p>Life cycle stage 4 N = Not recommended for new design (*)</p> <p>Life cycle stage 5</p> <p>Strategic goods indicator. Only one of the following values can apply per product. SG0 = Not controlled. (*) SG1 = Controlled, industrial goods, not US origin. (*) Controlled according to international regulation(s) for industrial (dual-use) goods, not US origin. SG2 = Controlled, industrial goods, US origin. (*) Controlled according to international regulation(s) for industrial (dual-use) goods, US origin. SG3 = Controlled by US national regulation(s). (*) SG4 = Controlled by other national regulation(s). (*) SG5 = Controlled by Australian Group for chemical or biological warfare (CBW). (*) SG6 = Controlled by missile technology control regime (MTCR). (*) SG7 = Provisional (final indicator to be fixed). (*) SG8 = Controlled, nuclear goods. (*) Controlled according to international regulation(s) for nuclear goods. SG9 = Controlled, military goods. (*) Controlled according to international regulation(s) for military goods. (*) EDIFICE code</p> <p>O As for first DE 4183 O As for first DE 4183 O As for first DE 4183 O As for first DE 4183</p>
4183	an..3	C SPECIAL CONDITIONS, CODED	O As for first DE 4183
4183	an..3	C SPECIAL CONDITIONS, CODED	O As for first DE 4183
4183	an..3	C SPECIAL CONDITIONS, CODED	O As for first DE 4183
4183	an..3	C SPECIAL CONDITIONS, CODED	O As for first DE 4183

SG33 LIN-PIA-IMD-QTY-ALI-DTM-FTX-SG37-SG38-SG44

DTM DATE/TIME/PERIOD

Function: A segment specifying a relevant date for the line item.

Usage : 0..6

Notes : For individual products, this information overrides information communicated in the Header DTM segment.
 Values '803' Week, '804' Day and '805' Hour for DE 2379 only apply when DE 2005 holds '169' Lead time.

Ref.	Rep.	Name		EDIFICE Utilisation
C507		M DATE/TIME/PERIOD	M	7 = Effective date/time Date at which the product information becomes effective. 36 = Expiry date Date of expiry of validity of product information. 63 = Delivery date/time, latest Last possible date for delivery of product. 117 = Delivery date/time, first First possible date for delivery of product. 169 = Lead time Time required between order entry till earliest goods delivery. LTB = Last time buy date (*) (*) EDIFICE code
2005	an..3	M Date/time/period qualifier	M	
2380	an..35	C Date/time/period	R	
2379	an..3	C Date/time/period format qualifier	R	
				102 = CCYYMMDD 203 = CCYYMMDDHHMM 303 = CCYYMMDDHHMMZZZ ZZZ = Time zone 304 = CCYYMMDDHHMMSSZZZ ZZZ = Time zone 803 = Week To indicate a quantity of weeks 804 = Day To indicate a quantity of days 805 = Hour To indicate a quantity of hours X03 = CCYYMMDDHHMMZZZZZ (*) ZZZZZ = Time zone X04 = CCYYMMDDHHMMSSZZZZZ (*) ZZZZZ = Time zone (*) EDIFICE code

SG33 LIN-PIA-IMD-QTY-ALI-DTM-FTX-SG37-SG38-SG44**FTX FREE TEXT**

Function: A segment providing a clear, free form text description for the line item.

Usage : 01

Notes : EDIFICE recommends not to use FTX segments.

This segment is to communicate item descriptions which cannot be accommodated in the IMD segment.

Ref.	Rep.	Name	EDIFICE Utilisation	
4451	an..3	M TEXT SUBJECT QUALIFIER	M	PRD = Product information 1 = Text for subsequent use
4453	an..3	C TEXT FUNCTION, CODED	R	
C107		C TEXT REFERENCE	N	
4441	an..17	M Free text identification	N	
1131	an..3	C Code list qualifier	N	
3055	an..3	C Code list responsible agency, coded	N	
C108		C TEXT LITERAL	R	
4440	an..70	M Free text	M	
4440	an..70	C Free text	O	
4440	an..70	C Free text	O	
4440	an..70	C Free text	O	
4440	an..70	C Free text	O	
3453	an..3	C LANGUAGE, CODED	D	The language code is used to indicate the free text language if it is other than the language agreed between the trading partners. Use ISO 639, 2 alpha code

SG37 PRI-RNG-DTM

PRI PRICE DETAILS

Function: A segment specifying the line item price and the qualifying information.

Usage : M1

Notes : When code 'SR' is used in DE 5375, it is not appropriate to use 'INV' in DE 5387.

Ref.	Rep.	Name		EDIFICE Utilisation	
C509		C PRICE INFORMATION	R	AAA = Calculation net AAB = Calculation gross Allowances and charges to be applied to the price and must be provided in SG38.	
5125	an..3	M Price qualifier	M		
5118	n..15	C Price	R	CT = Contract DI = Distributor INV = Invoice price (*) PV = Provisional price TB = To be negotiated QT = Quoted NNG = Not negotiable (*) SBP = Special buy price (*) SR = Suggested retail Manufacturer's suggested retail or resale price (*) EDIFICE code	
5375	an..3	C Price type, coded	R		
5387	an..3	C Price type qualifier	N		
5284	n..9	C Unit price basis	R		
6411	an..3	C Measure unit qualifier	R		
					Use the following codes from UN/ECE Recommendation no.20, Codes for Units of Measurement: CLT = centilitre CMT = centimetre GRM = gram KGM = kilogram KMT = kilometre (*) LTR = litre MGM = milligram MMT = millimetre MTK = square metre MTQ = cubic metre MTR = metre PCE = piece (*) (*) EDIFICE code, not included in UN/ECE Recommendation No. 20 Other codes should be previously agreed between trading partners.
5213	an..3	C SUB-LINE PRICE CHANGE, CODED	N		

SG37 PRI-RNG-DTM
RNG RANGE DETAILS

Function: A segment specifying the quantity range applicable to the specified line item price.

Usage : 01

Notes :

Ref.	Rep.	Name		EDIFICE Utilisation
6167	an..3	M RANGE TYPE QUALIFIER	M	4 = Quantity range
C280		C RANGE	R	
6411	an..3	M Measure unit qualifier	M	
				Use the following codes from UN/ECE Recommendation no.20, Codes for Units of Measurement: CLT = centilitre CMT = centimetre GRM = gram KGM = kilogram KMT = kilometre (*) LTR = litre MGM = milligram MMT = millimetre MTK = square metre MTQ = cubic metre MTR = metre PCE = piece (*) (*) EDIFICE code, not included in UN/ECE Recommendation No. 20 Other codes should be previously agreed between trading partners.
6162	n..18	C Range minimum	R	Minimum quantity of the range
6152	n..18	C Range maximum	O	

SG37 PRI-RNG-DTM

DTM DATE/TIME/PERIOD

Function: A segment specifying a promotion period start or end date or the effective date of the specified line item price.

Usage : O..3

Notes :

Ref.	Rep.	Name	EDIFICE Utilisation
C507		M DATE/TIME/PERIOD	M
2005	an..3	M Date/time/period qualifier	M
			7 = Effective date/time 15 = Promotion start date/time 16 = Promotion end date/time
2380	an..35	C Date/time/period	R
2379	an..3	C Date/time/period format qualifier	R
			102 = CCYYMMDD 203 = CCYYMMDDHHMM 303 = CCYYMMDDHHMMZZZ ZZZ = Time zone 304 = CCYYMMDDHHMMSSZZZ ZZZ = Time zone X03 = CCYYMMDDHHMMZZZZZ (*) ZZZZZ = Time zone X04 = CCYYMMDDHHMMSSZZZZZ (*) ZZZZZ = Time zone (*) EDIFICE code

SG38 ALC-SG40-SG41

ALC ALLOWANCE OR CHARGE

Function: A segment specifying an allowance or charge, its settlement and calculation sequence.

Usage : M1

Notes : Use DE 4471 if DE 5463 indicates 'Charge'.

Use DE 1227 to specify sequence of calculation if more than one ALC segment is used.

Ref.	Rep.	Name		EDIFICE Utilisation
5463	an..3	M ALLOWANCE OR CHARGE QUALIFIER	M	A = Allowance C = Charge
C552		C ALLOWANCE/CHARGE INFORMATION	O	
1230	an..35	C Allowance or charge number	O	
5189	an..3	C Charge/allowance description, coded	N	
4471	an..3	C SETTLEMENT, CODED	D	5 = Charge to be paid by vendor 'vendor' is a synonym for 'seller' 6 = Charge to be paid by customer
1227	an..3	C CALCULATION SEQUENCE INDICATOR, CODED	D	To specify the sequence in which an allowance or charge is calculated. The number must be in ascending order, with no gaps and starting from 1. The basis for calculation of the first allowance or charge is the amount for the line item. The basis for calculation of any subsequent allowance or charge is the amount for the line item resulting from the previous calculation.
C214		C SPECIAL SERVICES IDENTIFICATION	O	This composite is used to indicate the type of allowance or charge.
7161	an..3	C Special services, coded	M	DAE = Distributor discount/allowance DL = Delivery FC = Freight charge IN = Insurance TD = Trade discount
1131	an..3	C Code list qualifier	N	
3055	an..3	C Code list responsible agency, coded	N	
7160	an..35	C Special service	N	
7160	an..35	C Special service	N	

SG40 PCD**PCD PERCENTAGE DETAILS**

Function: A segment specifying a discount or charge percentage.

Usage : M1

Notes :

Ref.	Rep.	Name		EDIFICE Utilisation
C501		M PERCENTAGE DETAILS	M	
5245	an..3	M Percentage qualifier	M	3 = Allowance or charge 12 = Discount
5482	n..10	C Percentage	R	
5249	an..3	C Percentage basis, coded	N	
1131	an..3	C Code list qualifier	N	
3055	an..3	C Code list responsible agency, coded	N	

SG41 MOA**MOA MONETARY AMOUNT**

Function: A segment specifying the monetary amount of an allowance or charge.

Usage : M1

Notes :

Ref.	Rep.	Name		EDIFICE Utilisation
C516		M MONETARY AMOUNT	M	
5025	an..3	M Monetary amount type qualifier	M	23 = Charge amount 52 = Discount amount
5004	n..18	C Monetary amount	R	
6345	an..3	C Currency, coded	N	
6343	an..3	C Currency qualifier	N	
4405	an..3	C Status, coded	N	

SG44 PAC-MEA

PAC PACKAGE

Function: A segment specifying the product package type.

Usage : M1

Notes : CO C532 is only used if packages are returnable.

Ref.	Rep.	Name	EDIFICE Utilisation
7224	n..8	C NUMBER OF PACKAGES	N
C531		C PACKAGING DETAILS	N
7075	an..3	C Packaging level, coded	N
7233	an..3	C Packaging related information, coded	N
7073	an..3	C Packaging terms and conditions, coded	N
C202		C PACKAGE TYPE	R
7065	an..17	C Type of packages identification	A
<p>DE 7064 is only used for type of package description if no appropriate code is available for DE 7065.</p> <p>The following codes are taken from EIDX documentation:</p> <ul style="list-style-type: none"> BLK90 = Standard Bulk RAL90 = Standard Rail (semiconductor) REL90 = Standard Reel TRY90 = Standard Tray <p>The following codes are taken from UN/ECE Recommendation no.21, (TDED 5.8):</p> <ul style="list-style-type: none"> BA = Barrel BB = Bobbin BE = Bundle BG = Bag BQ = Bottle, protected cylindrical BV = Bottle, protected bulbous BX = Box CG = Cage CN = Container (*) CR = Crate CS = Case CT = Carton CX = Can, cylindrical DR = Drum EN = Envelope NE = Unpacked or unpackaged PC = Parcel PE = Pallet (*) PK = Package PU = Tray RL = Reel RO = Roll SW = Shrinkwrapped TN = Tin TU = Tube <p>(*) EDIFICE code, not included in UN/ECE Recommendation No. 21 Other codes should be previously agreed between trading partners.</p>			
1131	an..3	C Code list qualifier	O
3055	an..3	C Code list responsible agency, coded	D
<p>Only used if the code is taken from EIDX documentation. 116 = US, ANSI ASC X12</p>			
7064	an..35	C Type of packages	D
C402		C PACKAGE TYPE IDENTIFICATION	N
7077	an..3	M Item description type, coded	N
7064	an..35	M Type of packages	N
7143	an..3	C Item number type, coded	N
7064	an..35	C Type of packages	N
7143	an..3	C Item number type, coded	N
C532		C RETURNABLE PACKAGE DETAILS	D

Ref.	Rep.	Name	EDIFICE Utilisation	
8395	an..3	C Returnable package freight payment responsibility, coded	R	1 = Paid by customer 3 = Paid by supplier
8393	an..3	C Returnable package load contents, coded	N	

SG44 PAC-MEA
MEA MEASUREMENTS

Function: A segment specifying the number of products contained in the package type.

Usage : 01

Notes : This is used when additional information on the number of units is required.

Ref.	Rep.	Name		EDIFICE Utilisation
6311	an..3	M MEASUREMENT PURPOSE QUALIFIER	M	CT = Counts Use the following codes from UN/ECE Recommendation no.20, Codes for Units of Measurement: CLT = centilitre CMT = centimetre GRM = gram KGM = kilogram KMT = kilometre (*) LTR = litre MGM = milligram MMT = millimetre MTK = square metre MTQ = cubic metre MTR = metre PCE = piece (*) (*) EDIFICE code, not included in UN/ECE Recommendation No. 20 Other codes should be previously agreed between trading partners.
C502		C MEASUREMENT DETAILS	N	
6313	an..3	C Property measured, coded	N	
6321	an..3	C Measurement significance, coded	N	
6155	an..17	C Measurement attribute identification	N	
6154	an..70	C Measurement attribute	N	
C174		C VALUE/RANGE	R	
6411	an..3	M Measure unit qualifier	M	
6314	an..18	C Measurement value	R	
6162	n..18	C Range minimum	N	
6152	n..18	C Range maximum	N	
6432	n..2	C Significant digits	N	
7383	an..3	C SURFACE/LAYER INDICATOR, CODED	N	

UNT MESSAGE TRAILER

Function: A service segment ending, and providing information for checking the completeness of a message.

Usage : M1

Notes : Refer to EDIFICE Utilisation of the UN/EDIFACT Service Segments, Issue EDSS04.

Ref.	Rep.	Name	EDIFICE Utilisation	
0074	n..6	M NUMBER OF SEGMENTS IN A MESSAGE	M	Count of all segments in the message, UNH and UNT included.
0062	an..14	M MESSAGE REFERENCE NUMBER	M	Must be the same reference number as in DE 0062 of the UNH segment of this message.

EXAMPLES

Example 1 PRICAT 'replace' function

```
UNB+UNOC:3+234567891:1:X+198765432:1:X
+971201:1924+66+X:AA+PRICAT++1+X+1'
UNH+0001+PRICAT:D:97A:UN:EDPC03'
BGM+9+00000000015+5'
DTM+7:19950817:102'
DTM+137:19950817:102'
NAD+SE+AMD:::91'
NAD+BY+8713381138577:::9'
CUX+2:ITL:8'
PGI+2'
LIN+1++PRODUCT 1:VP:::91'
PIA+1+L2D:WS:::91'
IMD+F++TU:::PRODUCT 1 DESCRIPTION'
ALI+++P'
DTM+7:19950206:102'
FTX+PRD+1+++XZ 000Z NVD'
PRI+AAA:304200:DI:::1:PCE'
RNG+4+PCE:19'
PRI+AAA:322043.69:SR:::1:PCE'
RNG+4+PCE:1'
PRI+AAA:322043.69:SR:::1:PCE'
RNG+4+PCE:10'
PRI+AAA:322043.69:SR:::1:PCE'
RNG+4+PCE:100'
LIN+2++PRODUCT 2:VP:::91'
IMD+F++TU:::PRODUCT 2 DESCRIPTION'
ALI+++P'
DTM+7:19950703:102'
FTX+PRD+1+++FMC068C NVD'
PRI+AAA:144000:DI:::1:PCE'
RNG+4+PCE:1'
PRI+AAA:215235.23:SR:::1:PCE'
RNG+4+PCE:1'
PRI+AAA:215235.23:SR:::1:PCE'
RNG+4+PCE:10'
PRI+AAA:184487.34:SR:::1:PCE'
RNG+4+PCE:100'
LIN+3++PRODUCT 3:VP:::91'
IMD+F++TU:::PRODUCT 3 DESCRIPTION'
ALI+++P'
DTM+7:19950703:102'
FTX+PRD+1+++FMC068C NVD'
PRI+AAA:205200:DI:::1:PCE'
RNG+4+PCE:1'
PRI+AAA:307478.9:SR:::1:PCE'
RNG+4+PCE:1'
PRI+AAA:307478.9:SR:::1:PCE'
RNG+4+PCE:10'
PRI+AAA:307478.9:SR:::1:PCE'
RNG+4+PCE:100'
UNT+49+0001'
UNZ+1+66'
```

Example 2 PRICAT 'change' function

UNB+UNOC:3+234567891:1:X+198765432:1:X
+971201:1924+66+X:AA+PRICAT++1+X+1'
UNH+0001+PRICAT:D:97A:UN:EDPC03'
BGM+9+00000000016+4'
DTM+7:19950818:102'
DTM+137:19950818:102'
NAD+SE+AMD:::91'
NAD+BY+8713381138577:::9'
CUX+2:ITL:8'
PGI+2'
LIN+1+1+PRODUCT 99:VP:::91'
IMD+F++TU:::PRODUCT 99 DESCRIPTION'
ALI+++E2'
DTM+7:19950831:102'
PRI+AAA:104200:DI:::1:PCE'
RNG+4+PCE:1'
PRI+AAA:122043.69:SR:::1:PCE'
RNG+4+PCE:1'
PRI+AAA:122043.69:SR:::1:PCE'
RNG+4+PCE:10'
PRI+AAA:122043.69:SR:::1:PCE'
RNG+4+PCE:100'
LIN+2+2+PRODUCT 2:VP:::91'
LIN+3+3+PRODUCT 3:VP:::91'
IMD+F++TU:::PRODUCT 3 DESCRIPTION'
ALI+++P'
DTM+7:19950818:102'
FTX+PRD+1++FMC068C NVD'
PRI+AAA:207200:DI:::1:PCE'
RNG+4+PCE:1'
PRI+AAA:309478.9:SR:::1:PCE'
RNG+4+PCE:1'
PRI+AAA:309478.9:SR:::1:PCE'
RNG+4+PCE:10'
PRI+AAA:309478.9:SR:::1:PCE'
RNG+4+PCE:100'
UNT+35+0001'
UNZ+1+66'