



The European B2B Forum for the Electronics Industry

## **EDIFICE Message Implementation Guideline**

### **Inventory Report – Forecast and Inventory Management**

**INVRPT Issue EDFI02**

**Endorsed 27 November 2002**

**Based on UN/EDIFACT D.97A INVRPT Message**

Copyright ©EDIFICE 2004

All rights reserved. No part of this publication may be reproduced or transmitted in any form or by any means without prior permission of EDIFICE.

Notwithstanding the fact that the utmost care has been observed in the collecting, drawing up and formulating of data, EDIFICE can under no circumstances be held liable for errors, omissions or misinterpretations as a result of the information compiled in the guidelines.

EDIFICE  
The European B2B Forum for the Electronics Industry  
EDIFICE secretariat  
Dora Cresens  
Tiensestraat 2  
B-3320 Hoegaarden  
Belgium  
Tel: +32 16 76 54 40  
Fax: +32 16 76 53 58  
Email: Dora.Cresens@edifice.org

## **TABLE OF CONTENTS**

<u>TITLE</u>	<u>PAGE</u>
COMPARISON TO PREVIOUS ISSUE	3
EDIFICE FUNCTIONAL DEFINITION	4
REFERENCES	6
EXPLANATORY NOTES	6
MESSAGE STRUCTURE CHART	7
BRANCHING DIAGRAM	8
SEGMENT GROUPS/SEGMENTS DESCRIPTION	10
UNH           MESSAGE HEADER	13
BGM           BEGINNING OF MESSAGE	14
DTM           DATE/TIME/PERIOD	15
SG2 - NAD     NAME AND ADDRESS	16
SG2 - LOC     PLACE/LOCATION IDENTIFICATION	17
SG3 - RFF     REFERENCE	18
SG4 - CTA     CONTACT INFORMATION	19
SG4 - COM     COMMUNICATION CONTACT	20
SG5 - CUX     CURRENCIES	21
SG9 - LIN     LINE ITEM	22
SG9 - PIA     ADDITIONAL PRODUCT ID	23
SG10 - RFF    REFERENCE	24
SG10 - DTM    DATE/TIME/PERIOD	25
SG11 - INV    INVENTORY MANAGEMENT RELATED DETAILS	26
SG11 - QTY    QUANTITY	27
SG11 - GIN    GOODS IDENTITY NUMBER	28
SG11 - LOC    PLACE/LOCATION IDENTIFICATION	29
SG11 - DTM    DATE/TIME/PERIOD	30
SG12 - NAD    NAME AND ADDRESS	31
SG14 - RFF    REFERENCE	32
SG14 - DTM    DATE/TIME/PERIOD	33
UNT           MESSAGE TRAILER	34
EXAMPLES	35 - 37

## **COMPARISON TO PREVIOUS ISSUE**

12 May 2004 : EDIFIX 5.0 Technical Upgrade

- The 'KMT' qualifier in SEG QTY DE 6411 is now defined as (\*) EDIFICE code. UN/ECE Recommendation 20 specifies 'KTM' as qualifier for 'kilometre'.

21 May 2003:

- SG14 – RFF – C506 EDIFICE Utilisation changed from 'R' to 'M' according to the UN/EDIFACT specification – this does not influence the functionality of the message.

- EDIFIX 4.2 Technical upgrade; review and correction of examples

Issue EDFI02 of 13 November 2002 is based on UN/EDIFACT D97.A / Code List D01.A

- Addition of the following code value:

- o SG9, LIN segment, CO C212, DE 7143 code 'SRV' EAN.UCC Global Trade Item Number
- o SG9, PIA segment, CO C212, DE 7143 code 'SRV' EAN.UCC Global Trade Item Number

Issue EDFI01 of 29 May 2002 – addition of recommended set of DTM qualifiers

## **EDIFICE FUNCTIONAL DEFINITION**

### **Business flow diagram**

Three simplified business scenarios commonly found in materials supply chains are presented here, featuring usage of the INVRPT message.

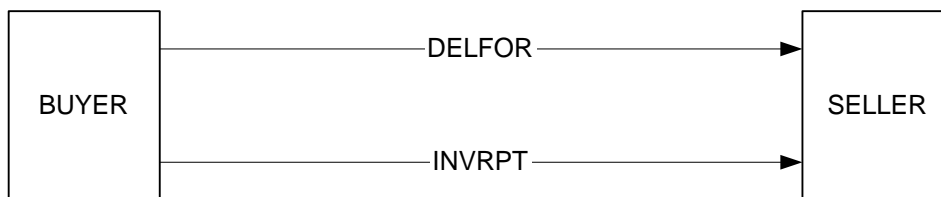
#### **Forecast based Supplier Managed Inventory requiring consumption data.**

(This is used to implement Kanban supply chains)

The buyer sends his supplier regular gross forecasts for his anticipated production requirements, typically using a weekly DELFOR message.

Additionally, the buyer sends an INVRPT message more frequently (typically daily) to the supplier, detailing his current level of stock, new products received into inventory, and quantities which have been consumed by his production. From this data, the supplier calculates schedules and delivers product to maintain the level of inventory defined by the buyer.

Change of ownership of the product occurs when the product is received by the buyer.



#### **Forecast based Supplier Managed Inventory under Consignment**

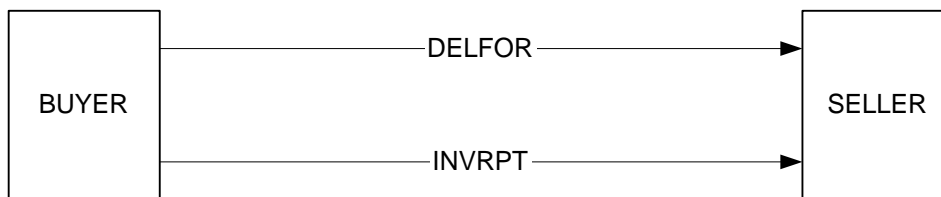
(This is often referred to as consignment stock held by the buyer)

The buyer sends his supplier regular gross forecasts for his anticipated production requirements, typically using a weekly DELFOR message.

In this DELFOR message the buyer can include all additional details needed by the seller to calculate schedules and deliver product to the buyer's site, in order for the seller to control and maintain the desired level of inventory.

Change of ownership of the product occurs when the product is consumed from inventory by the buyer.

Since this consigned inventory, held remotely, is still owned by the seller, the seller may require more frequent information (daily, for example) concerning his inventory. In this case the data may be sent by using an INVRPT message.



### Consignment Inventory held in a third party warehouse

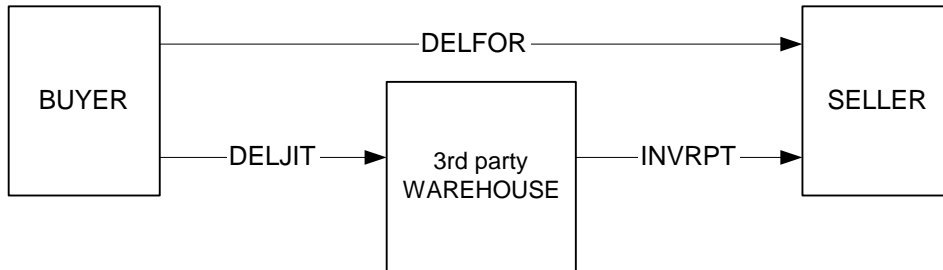
(This is often referred to as the Vendor Hub scenario)

The buyer sends his supplier regular gross forecasts for his anticipated production requirements, typically using a weekly DELFOR message

A remote consignment warehouse, operated by a third party, is stocked by the supplier according to the buyer's forecasted production. The level of inventory is controlled and maintained by the seller. Independently, the buyer communicates his immediate product delivery requirements to the consignment warehouse operator, typically by using a DELJIT message.

Change of ownership of the product occurs when the product is delivered by the third party warehouse to the buyer.

This consigned inventory, held remotely, is still owned by the seller. In order to replenish the stock correctly, the third party warehouse operator must inform the supplier of activities concerning the inventory. This is performed by using the INVRPT.



### Principles

The EDIFACT Inventory Report Message (INVRPT) is used to exchange information relevant to held inventories and which is of interest to the trading partners.

In a materials management environment, the INVRPT may result from monitoring and tracking inventory movements. It is used to inform the seller of the inventory status and movements, within appropriate time frames.

## **REFERENCES**

Refer to the document : Reference list for the EDIFICE message guidelines – Issue 1

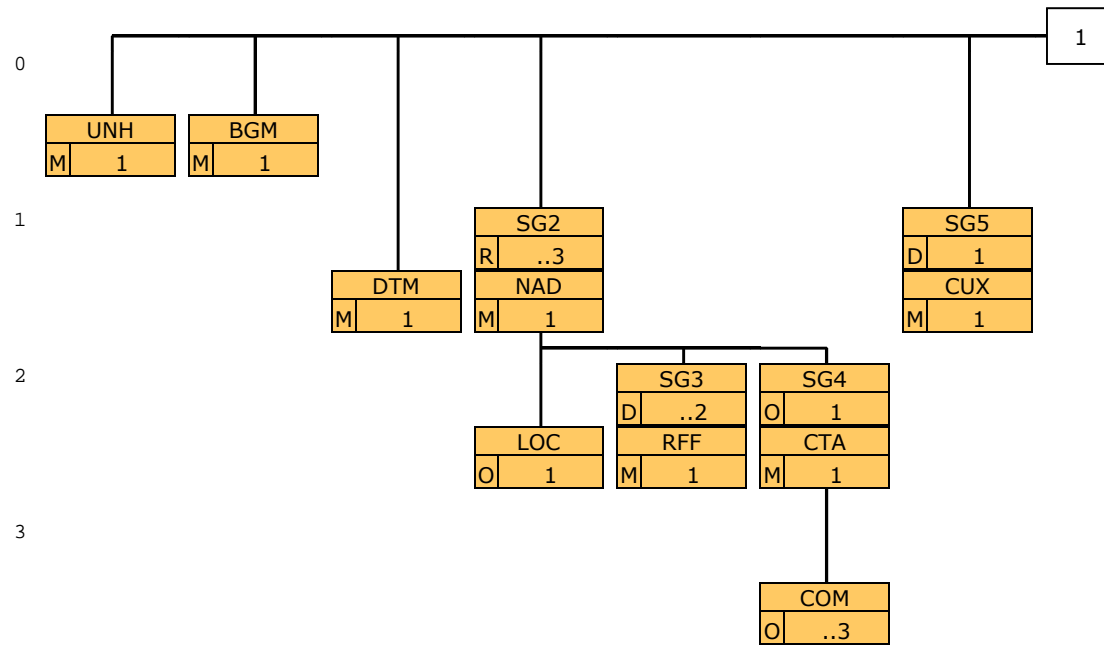
## **EXPLANATORY NOTES**

Refer to the document : Explanatory notes for the EDIFICE message guidelines – Issue 1

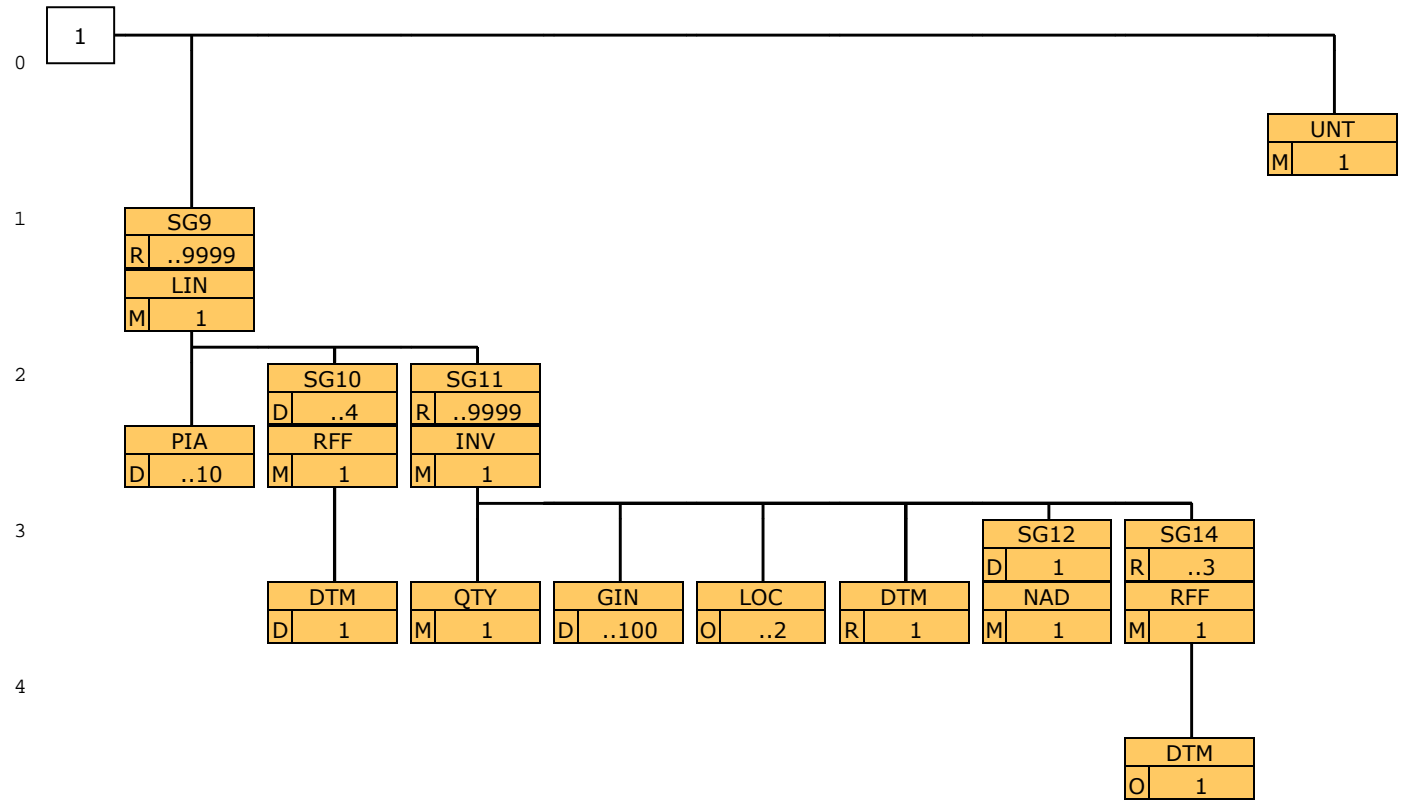
## MESSAGE STRUCTURE CHART

UNH	MESSAGE HEADER	M1
BGM	BEGINNING OF MESSAGE	M1
DTM	DATE/TIME/PERIOD	M1
SG2		R..3
NAD	NAME AND ADDRESS	M1
LOC	PLACE/LOCATION IDENTIFICATION	O1
SG3		D..2
RFF	REFERENCE	M1
SG4		O1
CTA	CONTACT INFORMATION	M1
COM	COMMUNICATION CONTACT	O..3
SG5		D1
CUX	CURRENCIES	M1
SG9		R..9999
LIN	LINE ITEM	M1
PIA	ADDITIONAL PRODUCT ID	D..10
SG10		D..4
RFF	REFERENCE	M1
DTM	DATE/TIME/PERIOD	D1
SG11		R..9999
INV	INVENTORY MANAGEMENT RELATED DETAILS	M1
QTY	QUANTITY	M1
GIN	GOODS IDENTITY NUMBER	D..100
LOC	PLACE/LOCATION IDENTIFICATION	O..2
DTM	DATE/TIME/PERIOD	R1
SG12		D1
NAD	NAME AND ADDRESS	M1
SG14		R..3
RFF	REFERENCE	M1
DTM	DATE/TIME/PERIOD	O1
UNT	MESSAGE TRAILER	M1

**BRANCHING DIAGRAM**







## **SEGMENT GROUPS/SEGMENTS DESCRIPTION**

### **UNH MESSAGE HEADER**

---

Function: A service segment heading, and uniquely identifying the message.  
Usage: M1

### **BGM BEGINNING OF MESSAGE**

---

Function: A segment uniquely identifying the message by means of its coded name, number and function.  
Usage: M1

### **DTM DATE/TIME/PERIOD**

---

Function: A segment specifying the date/time of creation of the message.  
Usage: M1

### **SG2 NAD-LOC-SG3-SG4**

---

---

Function: A group of segments identifying the parties involved and their associated information, relevant to the whole message.

Usage: R..3

Notes: SG3 is used if EC regulations and/or country law requires reference numbers to be sent.  
If the LOC segment is used in SG2, it may be overridden by the information specified in LOC of SG11.

### **NAD NAME AND ADDRESS**

---

Function: A segment identifying the function and coded identification, name and address of a party involved.  
Usage: M1

### **LOC PLACE/LOCATION IDENTIFICATION**

---

Function: A segment identifying a location or place required for the inventory concerned, relevant to the specified party.  
Usage: O1

### **SG3 RFF**

---

---

Function: A group of segments specifying references relating to the specified party.

Usage: D..2

Notes:

### **RFF REFERENCE**

---

Function: A segment specifying a company specific reference.  
Usage: M1

### **SG4 CTA-COM**

---

---

Function: A group of segments giving contact details of the specific person or department within the identified party involved, to whom communication should be directed.

Usage: O1

Notes:

### **CTA CONTACT INFORMATION**

---

Function: A segment identifying a person or department, and their function.  
Usage: M1

### **COM COMMUNICATION CONTACT**

---

Function: A segment identifying a communications type and number.  
Usage: O..3

### **SG5 CUX**

---

---

Function: A group of segments specifying the currency valid for the whole message.

Usage: D 1  
 Notes: SG5 is only used when the billing currency for consignment stock needs to be identified, though the price itself is not necessary. Withdrawals of products requiring different currencies require separate reports. For status-only reports, the currency would not be used.

**CUX CURRENCIES**

---

Function: A segment specifying the currency of the account.  
 Usage: M1

**SG9 LIN-PIA-SG10-SG11**

---

Function: A group of segments providing inventory details of the individual line items i.e. products kept in inventory.  
 Usage: R..9999  
 Notes: SG10 is used when document references need to be specified.

**LIN LINE ITEM**

---

Function: A segment identifying a line item by its item number, and agreed to be the primary reference number between the buyer and seller.  
 The segment also carries a sequence number assigned to the line item within the message.  
 Usage: M1

**PIA ADDITIONAL PRODUCT ID**

---

Function: A segment providing additional identification numbers for the line item.  
 Usage: D..10

**SG10 RFF-DTM**

---

Function: A group of segments specifying references for the line item.  
 Usage: D..4  
 Notes: The DTM segment must be sent where local law requires the date of a reference document to be sent.

**RFF REFERENCE**

---

Function: A segment specifying a document reference number and its appropriate line number.  
 Usage: M1

**DTM DATE/TIME/PERIOD**

---

Function: A segment specifying the date/time of the reference document.  
 Usage: D 1

**SG11 INV-QTY-GIN-LOC-DTM-SG12-SG14**

---

Function: A group of segments providing a quantity with all inventory management related information for the line item.  
 Usage: R..9999  
 Notes: This matrix shows how INV and QTY are used. For each inventory status, the date/time should be specified.

The GIN segment is used when goods identity numbers need to be specified.  
 SG12 is used when the owner of the inventory needs to be specified.

Status of Inventory	INV		QTY	DTM
	DE 4499	DE 4503	DE 6063	
Snapshot	-	1/2	17/89	*
Incoming	1	-	48	*
Outgoing	11/2	-	2	*
Returns	8	-	61	*
Corrections	7	-	213/214	*

**INV INVENTORY MANAGEMENT RELATED DETAILS**

---

Function: A segment specifying the reason for an inventory movement or the inventory status.

Usage: M1

---

**QTY QUANTITY**

Function: A segment specifying a quantity.  
Usage: M1

---

**GIN GOODS IDENTITY NUMBER**

Function: A segment providing identity numbers.  
Usage: D..100

---

**LOC PLACE/LOCATION IDENTIFICATION**

Function: A segment identifying a location or place required for the inventory concerned.  
Usage: O..2

---

**DTM DATE/TIME/PERIOD**

Function: A segment specifying the date/time as applied to the quantity.  
Usage: R 1

---

**SG12 NAD**

Function: A group of segments identifying the owner of the inventory.  
Usage: D 1  
Notes:

---

**NAD NAME AND ADDRESS**

Function: A segment identifying the owner of the inventory.  
Usage: M1

---

**SG14 RFF-DTM**

Function: A group of segments giving references only relating to the specified quantity.  
Usage: R..3  
Notes:

---

**RFF REFERENCE**

Function: A segment specifying a document reference number and its appropriate line number, identifying the quantity received or consumed from inventory.  
Usage: M1

---

**DTM DATE/TIME/PERIOD**

Function: A segment specifying the date/time of the reference document.  
Usage: O 1

---

**UNT MESSAGE TRAILER**

Function: A service segment ending, and providing information for checking the completeness of a message.  
Usage: M1

## SEGMENT DETAILS



### **UNH MESSAGE HEADER**

Function: A service segment heading, and uniquely identifying the message.

Usage : M1

Notes : Refer to EDIFICE Utilisation of the UN/EDIFACT Service Segments, Issue EDSS04

Ref.	Rep.	Name		EDIFICE Utilisation
0062	an..14	M MESSAGE REFERENCE NUMBER	M	Transmission message count from 1
S009		M MESSAGE IDENTIFIER	M	
0065	an..6	M Message type identifier	M	INVRPT = Inventory report message
0052	an..3	M Message type version number	M	D = Draft version/UN/EDIFACT Directory
0054	an..3	M Message type release number	M	97A = Release 1997 - A
0051	an..2	M Controlling agency	M	UN = UN/CEFACT
0057	an..6	C Association assigned code	R	EDFI02 = Inventory report - Forecast and Inventory management Issue EDFI02
0068	an..35	C COMMON ACCESS REFERENCE	N	
S010		C STATUS OF THE TRANSFER	N	
0070	n..2	M Sequence message transfer number	N	
0073	a1	C First/last sequence message transfer indication	N	

## BGM BEGINNING OF MESSAGE

Function: A segment uniquely identifying the message by means of its coded name, number and function.

Usage : M1

Notes :

Ref.	Rep.	Name		EDIFICE Utilisation
C002		C DOCUMENT/MESSAGE NAME	R	
1001	an..3	C Document/message name, coded	R	35 = Inventory report
1131	an..3	C Code list qualifier	N	
3055	an..3	C Code list responsible agency, coded	N	
1000	an..35	C Document/message name	N	
C106		C DOCUMENT/MESSAGE IDENTIFICATION	R	
1004	an..35	C Document/message number	R	Inventory report number
1056	an..9	C Version	N	
1060	an..6	C Revision number	N	
1225	an..3	C MESSAGE FUNCTION, CODED	A	9 = Original
4343	an..3	C RESPONSE TYPE, CODED	N	

**DTM DATE/TIME/PERIOD**

Function: A segment specifying the date/time of creation of the message.

Usage : M1

Notes :

Ref.	Rep.	Name		EDIFICE Utilisation
C507		M DATE/TIME/PERIOD	M	
2005	an..3	M Date/time/period qualifier	M	137 = Document/message date/time Date when the document is created
2380	an..35	C Date/time/period	R	Document creation date
2379	an..3	C Date/time/period format qualifier	R	102 = CCYMMDD 203 = CCYMMDDHHMM 303 = CCYMMDDHHMMZZZ ZZZ = Time zone 304 = CCYMMDDHHMMSSZZZ ZZZ = Time zone X03 = CCYMMDDHHMMZZZZZ (*) ZZZZZ = Time zone X04 = CCYMMDDHHMMSSZZZZZ (*) ZZZZZ = Time zone (*) EDIFICE code

**SG2 NAD-LOC-SG3-SG4**

**NAD NAME AND ADDRESS**

Function: A segment identifying the function and coded identification, name and address of a party involved.

Usage : M1

Notes : It is advised that the party identification CO C082 be used. When CO C082 cannot be used it is recommended to use the structured name and address CO C080 through DE 3207 rather than the unstructured one CO C058.  
The seller and the party holding the inventory must be specified.

Ref.	Rep.	Name		EDIFICE Utilisation
3035	an..3	M PARTY QUALIFIER	M	BY = Buyer SE = Seller DP = Delivery party Party holding the inventory, if different from buyer or seller.
C082		C PARTY IDENTIFICATION DETAILS	A	
3039	an..35	M Party id. identification	M	
1131	an..3	C Code list qualifier	N	9 = EAN (International Article Numbering association) 16 = DUNS (Dun & Bradstreet) 91 = Assigned by seller or seller's agent 92 = Assigned by buyer or buyer's agent
3055	an..3	C Code list responsible agency, coded	R	
C058		C NAME AND ADDRESS	D	
3124	an..35	M Name and address line	M	
3124	an..35	C Name and address line	O	
3124	an..35	C Name and address line	O	
3124	an..35	C Name and address line	O	
3124	an..35	C Name and address line	O	
C080		C PARTY NAME	D	
3036	an..35	M Party name	M	
3036	an..35	C Party name	O	
3036	an..35	C Party name	O	
3036	an..35	C Party name	O	
3045	an..3	C Party name format, coded	N	
C059		C STREET	D	
3042	an..35	M Street and number/p.o. box	M	
3042	an..35	C Street and number/p.o. box	O	
3042	an..35	C Street and number/p.o. box	O	
3164	an..35	C CITY NAME	D	
3229	an..9	C COUNTRY SUB-ENTITY IDENTIFICATION	D	
3251	an..9	C POSTCODE IDENTIFICATION	D	Use ISO 3166, 2 alpha code
3207	an..3	C COUNTRY, CODED	D	



**SG2 NAD-LOC-SG3-SG4**

**LOC PLACE/LOCATION IDENTIFICATION**

Function: A segment identifying a location or place required for the inventory concerned, relevant to the specified party.

Usage : 01

Notes :

Ref.	Rep.	Name	EDIFICE Utilisation	
3227	an..3	M PLACE/LOCATION QUALIFIER	M	18 = Warehouse It is advised that DE 3225 be used together with DE 3055 rather than DE 3224.
C517		C LOCATION IDENTIFICATION	R	
3225	an..25	C Place/location identification	A	91 = Assigned by seller or seller's agent 92 = Assigned by buyer or buyer's agent
1131	an..3	C Code list qualifier	N	
3055	an..3	C Code list responsible agency, coded	D	
3224	an..70	C Place/location	D	91 = Assigned by seller or seller's agent 92 = Assigned by buyer or buyer's agent
C519		C RELATED LOCATION ONE IDENTIFICATION	N	
3223	an..25	C Related place/location one identification	N	
1131	an..3	C Code list qualifier	N	
3055	an..3	C Code list responsible agency, coded	N	
3222	an..70	C Related place/location one	N	
C553		C RELATED LOCATION TWO IDENTIFICATION	N	
3233	an..25	C Related place/location two identification	N	
1131	an..3	C Code list qualifier	N	
3055	an..3	C Code list responsible agency, coded	N	
3232	an..70	C Related place/location two	N	
5479	an..3	C RELATION, CODED	N	

**SG3 RFF****RFF REFERENCE**

Function: A segment specifying a company specific reference.

Usage : M1

Notes :

Ref.	Rep.	Name		EDIFICE Utilisation
C506		M REFERENCE	M	VA = VAT registration number GN = Government reference number
1153	an..3	M Reference qualifier	M	
1154	an..35	C Reference number	R	
1156	an..6	C Line number	N	
4000	an..35	C Reference version number	N	

**SG4 CTA-COM****CTA CONTACT INFORMATION**

Function: A segment identifying a person or department, and their function.

Usage : M1

Notes :

Ref.	Rep.	Name		EDIFICE Utilisation
3139	an..3	C CONTACT FUNCTION, CODED	R	IC = Information contact If a code is available use DE 3413, otherwise use DE 3412.
C056		C DEPARTMENT OR EMPLOYEE DETAILS	R	
3413	an..17	C Department or employee identification	D	
3412	an..35	C Department or employee	D	

**SG4 CTA-COM**

**COM COMMUNICATION CONTACT**

Function: A segment identifying a communications type and number.

Usage : 0..3

Notes :

Ref.	Rep.	Name		EDIFICE Utilisation
C076		M COMMUNICATION CONTACT	M	
3148	an..512	M Communication number	M	
3155	an..3	M Communication channel qualifier	M	EM = Electronic mail FX = Telefax TE = Telephone

**SG5 CUX**

**CUX CURRENCIES**

Function: A segment specifying the currency of the account.

Usage : M1

Notes :

Ref.	Rep.	Name		EDIFICE Utilisation
C504		C CURRENCY DETAILS	R	
6347	an..3	M Currency details qualifier	M	7 = Currency of the account
6345	an..3	C Currency, coded	R	Use ISO 4217, 3 alpha code
6343	an..3	C Currency qualifier	R	4 = Invoicing currency
6348	n..4	C Currency rate base	N	
C504		C CURRENCY DETAILS	N	
6347	an..3	M Currency details qualifier	N	
6345	an..3	C Currency, coded	N	
6343	an..3	C Currency qualifier	N	
6348	n..4	C Currency rate base	N	
5402	n..12	C RATE OF EXCHANGE	N	
6341	an..3	C CURRENCY MARKET EXCHANGE, CODED	N	

**SG9 LIN-PIA-SG10-SG11**

**LIN LINE ITEM**

Function: A segment identifying a line item by its item number, and agreed to be the primary reference number between the buyer and seller.

The segment also carries a sequence number assigned to the line item within the message.

Usage : M1

Notes :

Ref.	Rep.	Name		EDIFICE Utilisation
1082	an..6	C LINE ITEM NUMBER	R	It is required to assign a number to the line items within a message. The number is assigned by the sender of the message. The first line item within a message will be numbered 1 and further line items will be incremented by 1 for each new line.
1229	an..3	C ACTION REQUEST/NOTIFICATION, CODED	N	
C212		C ITEM NUMBER IDENTIFICATION	A	Primary reference BP = Buyer's part number DI = Distributor's part number (*) EN = International Article Numbering Association (EAN) MF = Manufacturer's (producer's) article number SRV = EAN.UCC Global Trade Item Number UP = UPC (Universal product code) VP = Vendor's (seller's) part number (* ) EDIFICE code
7140	an..35	C Item number	R	
7143	an..3	C Item number type, coded	R	
1131	an..3	C Code list qualifier	N	
3055	an..3	C Code list responsible agency, coded	R	9 = EAN (International Article Numbering association) 89 = Assigned by distributor 90 = Assigned by manufacturer 91 = Assigned by seller or seller's agent 92 = Assigned by buyer or buyer's agent 113 = US, UCC (Uniform Code Council)
C829		C SUB-LINE INFORMATION	N	
5495	an..3	C Sub-line indicator, coded	N	
1082	an..6	C Line item number	N	
1222	n..2	C CONFIGURATION LEVEL	N	
7083	an..3	C CONFIGURATION, CODED	N	

**SG9 LIN-PIA-SG10-SG11****PIA ADDITIONAL PRODUCT ID**

Function: A segment providing additional identification numbers for the line item.

Usage : D..10

Notes : The 5 internal repetitions of CO C212 may be used, but EDIFICE recommends to only use the first occurrence.

Ref.	Rep.	Name		EDIFICE Utilisation
4347	an..3	M PRODUCT ID. FUNCTION QUALIFIER	M	1 = Additional identification
C212		M ITEM NUMBER IDENTIFICATION	M	
7140	an..35	C Item number	R	
7143	an..3	C Item number type, coded	R	
				AA = Product version number Release number of a product BP = Buyer's part number CL = Color number CV = Customs article number DI = Distributor's part number (*) DR = Drawing revision number DW = Drawing EC = Engineering change level EN = International Article Numbering Association (EAN) GS = General specification number MF = Manufacturer's (producer's) article number MN = Model number SG = Standard group of products (mixed assortment) SN = Serial number SRV = EAN.UCC Global Trade Item Number UP = UPC (Universal product code) VP = Vendor's (seller's) part number VX = Vendor specification number (*) EDIFICE code
1131	an..3	C Code list qualifier	N	9 = EAN (International Article Numbering association) 89 = Assigned by distributor 90 = Assigned by manufacturer 91 = Assigned by seller or seller's agent 92 = Assigned by buyer or buyer's agent 113 = US, UCC (Uniform Code Council)
3055	an..3	C Code list responsible agency, coded	R	
C212		C ITEM NUMBER IDENTIFICATION	O	As for first CO C212
7140	an..35	C Item number	R	
7143	an..3	C Item number type, coded	R	
1131	an..3	C Code list qualifier	N	
3055	an..3	C Code list responsible agency, coded	R	
C212		C ITEM NUMBER IDENTIFICATION	O	As for first CO C212
7140	an..35	C Item number	R	
7143	an..3	C Item number type, coded	R	
1131	an..3	C Code list qualifier	N	
3055	an..3	C Code list responsible agency, coded	R	
C212		C ITEM NUMBER IDENTIFICATION	O	As for first CO C212
7140	an..35	C Item number	R	
7143	an..3	C Item number type, coded	R	
1131	an..3	C Code list qualifier	N	
3055	an..3	C Code list responsible agency, coded	R	
C212		C ITEM NUMBER IDENTIFICATION	O	As for first CO C212
7140	an..35	C Item number	R	
7143	an..3	C Item number type, coded	R	
1131	an..3	C Code list qualifier	N	
3055	an..3	C Code list responsible agency, coded	R	

**SG10 RFF-DTM****RFF REFERENCE**

Function: A segment specifying a document reference number and its appropriate line number.

Usage : M1

Notes :

Ref.	Rep.	Name		EDIFICE Utilisation
C506		M REFERENCE	M	AAD = Contract addendum number BO = Blanket order number CT = Contract number GC = Government contract number
1153	an..3	M Reference qualifier	M	
1154	an..35	C Reference number	R	
1156	an..6	C Line number	O	
4000	an..35	C Reference version number	N	



**SG10 RFF-DTM**

**DTM DATE/TIME/PERIOD**

Function: A segment specifying the date/time of the reference document.

Usage : D 1

Notes :

Ref.	Rep.	Name		EDIFICE Utilisation
C507		M DATE/TIME/PERIOD	M	
2005	an..3	M Date/time/period qualifier	M	171 = Reference date/time
2380	an..35	C Date/time/period	R	
2379	an..3	C Date/time/period format qualifier	R	102 = CCYMMDD 203 = CCYMMDDHHMM 303 = CCYMMDDHHMMZZZ ZZZ = Time zone 304 = CCYMMDDHHMMSSZZZ ZZZ = Time zone X03 = CCYMMDDHHMMZZZZZ (*) ZZZZ = Time zone X04 = CCYMMDDHHMMSSZZZZZ (*) ZZZZ = Time zone (*) EDIFICE code

**SG11 INV-QTY-GIN-LOC-DTM-SG12-SG14**

**INV INVENTORY MANAGEMENT RELATED DETAILS**

Function: A segment specifying the reason for an inventory movement or the inventory status.

Usage : M1

Notes : Codes in DE 4499 and DE 4503 to be used in accordance with the matrix in the Notes of SG11.

Ref.	Rep.	Name		EDIFICE Utilisation
4501	an..3	C INVENTORY MOVEMENT DIRECTION, CODED	N	
7491	an..3	C TYPE OF INVENTORY AFFECTED, CODED	N	
4499	an..3	C REASON FOR INVENTORY MOVEMENT, CODED	D	1 = Reception 2 = Delivery 7 = Reversal of previous movement 8 = Defects (technical) 11 = Consumption
4503	an..3	C INVENTORY BALANCE METHOD, CODED	D	1 = Book-keeping inventory balance Status 2 = Formal inventory balance Status
C522		C INSTRUCTION	N	
4403	an..3	M Instruction qualifier	N	
4401	an..3	C Instruction, coded	N	
1131	an..3	C Code list qualifier	N	
3055	an..3	C Code list responsible agency, coded	N	
4400	an..35	C Instruction	N	

**SG11 INV-QTY-GIN-LOC-DTM-SG12-SG14**

**QTY QUANTITY**

Function: A segment specifying a quantity.

Usage : M1

Notes : Codes in DE 6063 to be used in accordance with the matrix in the Notes of SG11.

Ref.	Rep.	Name	EDIFICE Utilisation	
C186		M QUANTITY DETAILS	M	
6063	an..3	M Quantity qualifier	M	2 = Charge 17 = Quantity on hand 48 = Received quantity 61 = Return quantity 89 = Quality control held Quarantined 213 = Transferred out quantity 214 = Transferred in quantity
6060	n..15	M Quantity	M	
6411	an..3	C Measure unit qualifier	R	Use the following codes from UN/ECE Recommendation no.20, Codes for Units of Measurement: CLT = centilitre CMT = centimetre GRM = gram KGM = kilogram KMT = kilometre (*) LTR = litre MGM = milligram MMT = millimetre MTK = square metre MTQ = cubic metre MTR = metre PCE = piece (*) (*) EDIFICE code, not included in UN/ECE Recommendation No. 20 Other codes should be previously agreed between trading partners.

**SG11 INV-QTY-GIN-LOC-DTM-SG12-SG14****GIN GOODS IDENTITY NUMBER**

Function: A segment providing identity numbers.

Usage : D..100

Notes :

Ref.	Rep.	Name	EDIFICE Utilisation	
7405	an..3	M IDENTITY NUMBER QUALIFIER	M	BN = Serial number The first DE 7402 in the composite data element is the start of the consecutively numbered range, the second DE 7402 indicates the end of the range. If there is no range only the first DE 7402 is used. If the identity numbers are not sequential and part of a series (e.g. 1,3,10) then a separate CO C208 and DE 7402 must be used for each identity number.
C208		M IDENTITY NUMBER RANGE	M	
7402	an..35	M Identity number	M	As for first CO C208
7402	an..35	C Identity number	D	
C208		C IDENTITY NUMBER RANGE	O	As for first CO C208
7402	an..35	M Identity number	M	
7402	an..35	C Identity number	D	As for first CO C208
C208		C IDENTITY NUMBER RANGE	O	
7402	an..35	M Identity number	M	As for first CO C208
7402	an..35	C Identity number	D	
C208		C IDENTITY NUMBER RANGE	O	As for first CO C208
7402	an..35	M Identity number	M	
7402	an..35	C Identity number	D	As for first CO C208
C208		C IDENTITY NUMBER RANGE	O	
7402	an..35	M Identity number	M	As for first CO C208
7402	an..35	C Identity number	D	

**SG11 INV-QTY-GIN-LOC-DTM-SG12-SG14**

**LOC PLACE/LOCATION IDENTIFICATION**

Function: A segment identifying a location or place required for the inventory concerned.

Usage : O..2

Notes :

Ref.	Rep.	Name		EDIFICE Utilisation
3227	an..3	M PLACE/LOCATION QUALIFIER	M	14 = Location of goods 18 = Warehouse
C517		C LOCATION IDENTIFICATION	R	It is advised that DE 3225 be used together with DE 3055 rather than DE 3224.
3225	an..25	C Place/location identification	A	
1131	an..3	C Code list qualifier	N	
3055	an..3	C Code list responsible agency, coded	D	91 = Assigned by seller or seller's agent 92 = Assigned by buyer or buyer's agent
3224	an..70	C Place/location	D	
C519		C RELATED LOCATION ONE IDENTIFICATION	O	
3223	an..25	C Related place/location one identification	O	
1131	an..3	C Code list qualifier	O	
3055	an..3	C Code list responsible agency, coded	O	
3222	an..70	C Related place/location one	O	
C553		C RELATED LOCATION TWO IDENTIFICATION	N	
3233	an..25	C Related place/location two identification	N	
1131	an..3	C Code list qualifier	N	
3055	an..3	C Code list responsible agency, coded	N	
3232	an..70	C Related place/location two	N	
5479	an..3	C RELATION, CODED	N	

**SG11 INV-QTY-GIN-LOC-DTM-SG12-SG14**

**DTM DATE/TIME/PERIOD**

Function: A segment specifying the date/time as applied to the quantity.  
 Usage : R 1  
 Notes : Date of the status or physical movement of the products in/out of inventory.

Ref.	Rep.	Name		EDIFICE Utilisation
C507		M DATE/TIME/PERIOD	M	
2005	an..3	M Date/time/period qualifier	M	145 = Event date
2380	an..35	C Date/time/period	R	
2379	an..3	C Date/time/period format qualifier	R	102 = CCYMMDD 203 = CCYMMDDHHMM 303 = CCYMMDDHHMMZZZ ZZZ = Time zone 304 = CCYMMDDHHMMSSZZZ ZZZ = Time zone X03 = CCYMMDDHHMMZZZZZ (*) ZZZZ = Time zone X04 = CCYMMDDHHMMSSZZZZZ (*) ZZZZ = Time zone (*) EDIFICE code

**SG12 NAD**

**NAD NAME AND ADDRESS**

Function: A segment identifying the owner of the inventory.

Usage : M1

Notes :

Ref.	Rep.	Name	EDIFICE Utilisation
3035	an..3	M PARTY QUALIFIER	M BY = Buyer SE = Seller
C082		C PARTY IDENTIFICATION DETAILS	N
3039	an..35	M Party id. identification	N
1131	an..3	C Code list qualifier	N
3055	an..3	C Code list responsible agency, coded	N
C058		C NAME AND ADDRESS	N
3124	an..35	M Name and address line	N
3124	an..35	C Name and address line	N
3124	an..35	C Name and address line	N
3124	an..35	C Name and address line	N
3124	an..35	C Name and address line	N
C080		C PARTY NAME	N
3036	an..35	M Party name	N
3036	an..35	C Party name	N
3036	an..35	C Party name	N
3036	an..35	C Party name	N
3036	an..35	C Party name	N
3045	an..3	C Party name format, coded	N
C059		C STREET	N
3042	an..35	M Street and number/p.o. box	N
3042	an..35	C Street and number/p.o. box	N
3042	an..35	C Street and number/p.o. box	N
3042	an..35	C Street and number/p.o. box	N
3164	an..35	C CITY NAME	N
3229	an..9	C COUNTRY SUB-ENTITY IDENTIFICATION	N
3251	an..9	C POSTCODE IDENTIFICATION	N
3207	an..3	C COUNTRY, CODED	N

**SG14 RFF-DTM****RFF REFERENCE**

Function: A segment specifying a document reference number and its appropriate line number, identifying the quantity received or consumed from inventory.

Usage : M1

Notes :

Ref.	Rep.	Name		EDIFICE Utilisation
C506		M REFERENCE	M	
1153	an..3	M Reference qualifier	M	AAB = Proforma invoice AAK = Despatch advice number AKO = Action authorization number IV = Invoice number PK = Packing list number SRN = Shipment reference number TN = Transaction reference number
1154	an..35	C Reference number	R	
1156	an..6	C Line number	O	
4000	an..35	C Reference version number	N	



**SG14 RFF-DTM**

**DTM DATE/TIME/PERIOD**

Function: A segment specifying the date/time of the reference document.

Usage : 01

Notes :

Ref.	Rep.	Name		EDIFICE Utilisation
C507		M DATE/TIME/PERIOD	M	
2005	an..3	M Date/time/period qualifier	M	171 = Reference date/time
2380	an..35	C Date/time/period	R	
2379	an..3	C Date/time/period format qualifier	R	102 = CCYYMMDD 203 = CCYYMMDDHHMM 303 = CCYYMMDDHHMMZZZ ZZZ = Time zone 304 = CCYYMMDDHHMMSSZZZ ZZZ = Time zone X03 = CCYYMMDDHHMMZZZZZ (*) ZZZZZ = Time zone X04 = CCYYMMDDHHMMSSZZZZZ (*) ZZZZZ = Time zone (*) EDIFICE code

**UNT MESSAGE TRAILER**

Function: A service segment ending, and providing information for checking the completeness of a message.

Usage : M1

Notes : Refer to EDIFICE Utilisation of the UN/EDIFACT Service Segments, Issue EDSS04.

Ref.	Rep.	Name	EDIFICE Utilisation	
0074	n..6	M NUMBER OF SEGMENTS IN A MESSAGE	M	Count of all segments in the message, UNH and UNT included.
0062	an..14	M MESSAGE REFERENCE NUMBER	M	Must be the same reference number as in DE 0062 of the UNH segment of this message.

## **EXAMPLES**

### EXAMPLE 1

Forecast based supplier managed inventory requiring consumption data.  
The buyer sends an INVRPT to the supplier, detailing his current level of stock, new products received into inventory, and quantities which have been consumed by his production.

UNB+UNOC:3+234567891:1:X+198765432:1:X+971201:1924+66+X:AA+INVRPT++1+X+1'	
UNH+1+INVRPT:D:97A:UN:EDFI02'	INVRPT message no 1
BGM+35+003987078980128+9'	Original message no 003987078980128
DTM+137:199801281517:203'	Dated 28 January 1998
NAD+SE+003987::92'	Seller's identification
NAD+BY+879645::92'	Buyer's identification
LOC+18+078::92'	Buyer's warehouse
CTA+IC+:H.SMITH'	Contact person's name
COM+07121352047:TE'	Contact person's telephone number
COM+07121351689:FX'	Contact person's telefax number
LIN+1++8905730005:BP::92'	Buyer's partnumber
PIA+1+PNA12346:VP::91'	Seller's partnumber
INV+++1'	Products received into stock
QTY+48:15:PCE'	Quantity received
DTM+145:19980127:102'	Date of receipt
RFF+AAK:8709/326 02'	Despatch advice number
DTM+171:19980107:102'	Date of despatch advice
RFF+TN:98000007'	Receiving transaction number
INV+++11'	Products consumed from stock
QTY+2:50:PCE'	Quantity consumed
DTM+145:19980116:102'	Date of consumption
INV++++1'	Current calculated stock level
QTY+17:200:PCE'	Quantity on hand
DTM+145:199801282315:203'	On 28 Jan 1998
UNT+24+1'	24 segments in this INVRPT report
UNZ+1+66'	

EXAMPLE 2

Forecast based supplier managed inventory under consignment, often referred to as consignment stock held by the buyer.

The buyer sends an INVRPT to the supplier, detailing his current level of stock, new products received into inventory, quantities which have been consumed by his production, corrections for consumption and receiving errors, and defective products to be returned. The information necessary for self-billing is also specified.

UNB+UNOC:3+234567891:1:X+198765432:1:X+971201:1924+66+X:AA+INVRPT++1+X+1'	INVRPT message #5
UNH+5+INVRPT:D:97A:UN:EDFI02'	This is an original document #530
BGM+35+530+9'	Dated 20 February 1998
DTM+137:19980220:102'	Buying organization's own name
NAD+BY+ODETTE::92'	Buyer's VAT number
RFF+VA:DE1234567890'	Buyer's contact person
CTA+IC+:JOHN DOE'	Contact person's phone number
COM+0191 234 7901:TE'	Selling organization's own name
NAD+SE+ACME::91'	Invoicing to be in German Marks
CUX+7:DEM:4'	
LIN+1++ABCDEFHG:VP::91'	Vendor's part number ABCDEFHG
PIA+1+123456:BP::92'	Buyer's part number 123456
RFF+CT:ABC123'	Contract # ABC123 to be used
INV+++11'	Consumed from consignment
QTY+2:3000:PCE'	3000 pieces to be charged for
DTM+145:19980205:102'	Pulled from stock on 5 February 1998
RFF+IV:65017377'	Self-billing invoice number
RFF+TN:7909981'	Buyer internal transaction number
INV+++11'	Consumed from consignment
QTY+2:4000:PCE'	4000 pieces to be charged for
DTM+145:19980210:102'	Pulled from stock on 10 February 1998
RFF+IV:65053313'	Self-billing invoice number
RFF+TN:7923741'	Buyer internal transaction number
INV+++7'	Correction for a consumption error
QTY+214:3000:PCE'	3000 pieces not consumed
DTM+145:19980213:102'	Re-entered in stock on 13 February 1998
RFF+IV:6508662'	Self-billing credit note number
RFF+TN:7923691'	Buyer internal transaction number
INV+++8'	Defective products to be returned
QTY+61:550:PCE'	550 pieces returned to seller
DTM+145:19980211:102'	Date of return 11 February 1998
RFF+IV:60173733'	Self-billing credit note number
RFF+TN:7909981'	Buyer internal transaction number
RFF+AKO:RB1234567'	Seller's return authorization #
INV+++1'	Products received into consignment
QTY+48:2000:PCE'	2000 pieces received into stock
DTM+145:19980210:102'	On 10 February 1998
RFF+AAB:65053334'	Buyer's pro-forma self-billing #
RFF+SRN:EBGMOS'	Seller's ship reference number
INV+++7'	Correction for a receiving error
QTY+213:6000:PCE'	Adjust by subtracting 6000 pieces
DTM+145:19980210:102'	Effective 10 February 1998
RFF+AAB:65053611'	Buyer's pro-forma self-billing #
RFF+SRN:EBGMOR'	Seller's ship reference number
INV++++1'	Current calculated stock level
QTY+17:23000:PCE'	23000 pieces on hand inventory
DTM+145:19980220:102'	On 20 February 1998
UNT+47+5'	47 segments in this INVRPT message
UNZ+1+66'	

EXAMPLE 3

Consignment Inventory held in a third party warehouse often referred to as the Vendor Hub scenario. The third party warehouse operator sends an INVRPT to the supplier, detailing his current level of stock, new products received into inventory, and quantities delivered to the buyer. An example of the use of quarantine to hold devices of unconfirmed quality is shown.

UNB+UNOC:3+234567891:1:X+198765432:1:X+971201:1924+66+X:AA+INVRPT++1+X+1'	INVRPT message #4
UNH+4+INVRPT:D:97A:UN:EDFI02'	
BGM+35+432+9'	This is an original document #432
DTM+137:19980226:102'	Dated 26 February 1998
NAD+DP+THIRDPARTY::91'	Third party warehouse organization's own name
CTA+IC+:RAY WARE'	Third party warehouse's contact person
COM+0191 234 7901:TE'	Contact person's phone number
NAD+SE+ACME::91'	Selling organization's own name
LIN+1++ABCDEFH:VP::91'	Vendor's part number ABCDEFH
INV+++2'	Delivered from consignment
QTY+2:4000:PCE'	4000 pieces to be charged for
DTM+145:19980205:102'	Pulled from stock on 5 February 1998
RFF+TN:7909981'	Internal transaction number
INV+++1'	Products received into consignment
QTY+48:2000:PCE'	2000 pieces received into stock
DTM+145:19980210:102'	On 10 February 1998
RFF+SRN:EBGMOS'	Seller's ship reference number
INV+++1'	Current calculated stock level
QTY+17:45000:PCE'	45000 pieces on hand inventory
DTM+145:19980226:102'	On 26 February 1998
INV++++1'	Stock on quality hold
QTY+89:15000:PCE'	15000 devices in quarantine
DTM+145:19980226:102'	On 26 February 1998
UNT+23+4'	23 segments in this INVRPT message
UNZ+1+66'	