



The Global Network for B2B Integration in High Tech Industries

EDIFICE Message Implementation Guideline

Purchase Order Response

ORDRSP Issue EDOR10

Endorsed on 15 June 2011

Based on UN/EDIFACT D.10A ORDRSP message

Copyright ©EDIFICE 2011

All rights reserved. No part of this publication may be reproduced or transmitted in any form or by any means without prior permission of EDIFICE.

Notwithstanding the fact that the utmost care has been observed in the collecting, drawing up and formulating of data, EDIFICE can under no circumstances be held liable for errors, omissions or misinterpretations as a result of the information compiled in the guidelines.

EDIFICE
The Global Network for B2B Integration in High Tech industries
EDIFICE secretariat
Dora Cresens
Tiensestraat 12
B-3320 Hoegaarden
Belgium
Tel: +32 475 85 40 39
Email: Dora.Cresens@edifice.org

TABLE OF CONTENTS

COMPARISON TO PREVIOUS ISSUE	3
EDIFICE FUNCTIONAL DEFINITION	6
REFERENCES	11
EXPLANATORY NOTES	11
MESSAGE STRUCTURE CHART.....	12
BRANCHING DIAGRAM	14
SEGMENT DESCRIPTION	18
SEGMENT DETAILS	26
EXAMPLES	74

COMPARISON TO PREVIOUS ISSUE

Issue EDOR10 of 1 June 2011: Upgrade to UN/EDIFACT Directory D.10A

The only structural change that occurs is the renumbering of the Segment Groups from SG27 onwards : A group of segments providing ordering details of the individual line items i.e. ordered products or services.

EDIFICE recommends to make use of EDIFACT code lists.

1. Where possible the earlier references to UN/ECE Recommendations were removed and EDIFACT qualifiers are used instead.
2. A number of EDIFICE defined qualifiers were replaced with relevant EDIFACT qualifiers or were completely removed when not in use. In some cases new EDIFICE qualifiers were defined since the old qualifiers have been included in the EDIFACT code list with a different definition

The summary of all qualifier changes in this MIG is listed below:

Place	EDIFICE Code (*)	Replaced with EDIFACT code/EDIFICE code (*)/Removed/Added
All DTM-2005	X03=CCYMMDDHHMMZZZZZ (*) X04=CCYMMDDHHMMSSZZZZZ (*)	205=CCYMMDDHHMMZHHMM Removed
SG21-PCD-1131	Code list 1131 no longer exists OV=Order Value	Removed
SG55-RFF-1153	FDS=Firm Delivery Schedule Reference number (*)	AAN=Delivery Schedule number
SG55-DTM-2005	758=Original schedule date(*)	Removed: use 67 Delivery date/time instead Added: 68=Additional period (used for rescheduled Date)

Issue EDOR06 of 1 June 2005:

- Upgrade to UN/EDIFACT Code list D.04B

Replacement of EDIFICE codes with standard codes.

- SG32 - PAC - DE 7065:

'CN' Container replaced with 'CN' Container, not otherwise specified as transport equipment

'PE' Pallet replaced with 'PX' Pallet

- SG52 Notes

- SG52 - DTM - DE 2005:

'68' Shipment date/time, current schedule replaced with '689' Shipping date and/or time, current schedule

'100' No shipping schedule established as of date replaced with '688' Shipping date, no schedule established as of

- Added EDIFICE code

SG52 - DTM - DE 2005:

'758' Original schedule date

Correction of the examples according to the code changes.

12 May 2004 : EDIFIX 5.0 Technical Upgrade

- The 'KMT' qualifier in SEG QTY and PRI DE 6411 is now defined as (*) EDIFICE code. UN/ECE Recommendation 20 specifies 'KTM' as qualifier for 'kilometre'.

21 May 2003: EDIFIX 4.2 Technical upgrade; review and correction of examples

Issue EDOR05 of 13 November 2002 is based on UN/EDIFACT D97.A / Code List D01.A

- Addition of the following code value:

SG26, LIN segment, CO C212, DE 7143 code 'SRV' EAN.UCC Global Trade Item Number

SG26, PIA segment, CO C212, DE 7143 code 'SRV' EAN.UCC Global Trade Item Number

Issue EDOR04 of 29 May 2002 : addition of recommended list of DTM qualifiers

Issue EDOR04 includes the changes that have been made to the issue 3 of the Purchase Change Request document endorsed by the EDIFICE Plenary on 13 April 1994. The changes are as follows:

- Recast from the 92.1 version of the UN/EDIFACT directory to the D.97A version,

- Addition of the following code values:

all NAD segments, DE 3055, code '16' DUNS (Dun & Bradstreet)

all TAX segments, DE 5305, code 'AA' Lower rate

SG1, RFF segment, DE 1153, codes 'BO' Blanket order number and

- 'VN' Order number (vendor)
 - SG4, RFF segment, DE 1153, code 'GN' Government reference number
 - SG6, COM segment, DE 3155, code 'EM' Electronic mail
 - SG26, LIN segment, DE 7143, codes 'DI' Distributor's part number
'MF' Manufacturer's (producer's) article number and
'UP' UPC (Universal product code)
 - SG26, LIN segment, DE 3055, codes '89' Assigned by distributor
'90' Assigned by manufacturer and
'113' US, UCC (Uniform Code Council)
 - SG26, PIA segment, DE 7143, codes 'AA' Product version number
'CL' Color number
'DI' Distributor's part number
'MF' Manufacturer's (producer's) article number
'MN' Model number
'SN' Serial number and
'UP' UPC (Universal product code)
 - SG26, PIA segment, DE 3055, codes '89' Assigned by distributor
'90' Assigned by manufacturer and
'113' US, UCC (Uniform Code Council)
 - SG26, IMD segment, DE 7077, code 'C' Code (from industry code list)
 - SG26, IMD segment, DE 7081, code '26' Ship to line
 - SG30, PRI segment, DE 5375, code 'CP' Current price
 - SG31, RFF segment, DE 1153, code 'BO' Blanket order number
 - SG32, PAC segment, CO C202, DE 3055, code '116' US, ANSI ASC X12
 - SG37, NAD segment, DE 3035, code 'MF' Manufacturer of goods,
- Addition of the following segment groups/segments:
 - SG1, DTM segment
 - SG21
 - SG31, DTM segment
 - SG42
 - SG51, RFF segment
 - SG53,
 - Replacement of the following segment:
 - SG32, MEA segment to QTY segment,
 - Replacement of the following codes:
 - all TAX segments, code 'WUS' to 'VAT' Vat added tax
 - SG1, RFF segment, DE 1153, code 'OP' to 'ON' Order number (purchase),
 - Deletion of the following code value:
 - SG6, COM segment, DE 3155, code 'TL' Telex
 - SG26, PIA segment, DE 7143, code 'CCM' COCOM list number,
 - Usage changed for the following segment groups/segments/data elements:
 - header FTX segment, CO C107, X to A
 - header FTX segment, CO C108, R to D
 - SG1, R..2 to R..3
 - SG3, R2 to R..6
 - SG4, D1 to D..2
 - SG6, O1 to O..2
 - SG6, COM segment, A..3 to O..3
 - SG6, CTA segment, CO C056, DE 3412, A to D
 - SG19, ALC segment, CO C552, DE 1230, R to D
 - SG19, ALC segment, CO C552, DE 5189, X to D
 - SG26, LIN segment, CO C212, R to A
 - SG26, IMD segment, DE 7081, D to O
 - SG26, IMD segment, CO C273, DE 7009, X to A
 - SG26, IMD segment, CO C273, DE 7008, R to D
 - SG26, ALI segment, O1 to D1
 - SG26, ALI segment, DE 3239, R to D
 - SG26, ALI segment, 1st DE 4183, X to D
 - SG26, FTX segment, CO C107, D to A
 - SG26, FTX segment, CO C108, O to D
 - SG32, O1 to D1
 - SG32, PAC segment, CO C202, DE 3055, X to D
 - SG37, O1 to O..2
 - SG37, NAD segment, CO C082 X to D
 - SG39, R..2 to D..2
 - SG41, D..10 to O..10
 - SG41, ALC segment, CO C552, DE 1230, R to D
 - SG41, ALC segment, CO C552, DE 5189, X to D

SG44, R1 to D1,

- Where UN/ECE Recommendations are referenced the most commonly used codes have been identified,
- Alignment of segments and composite data elements to ensure conformance (data harmonization) across all EDIFICE Implementation Guidelines,
- Update of the REFERENCES and EXPLANATORY NOTES section to comply with the EDIFICE Standards for Documentation of Message Implementation Guidelines issue 3,
- Update of examples,
- Documentation adjustments resulting from the use of GEFEG's EdiFix Message Implementation Guidelines documentation tool,
- Correction of typographical errors.

EDIFICE FUNCTIONAL DEFINITION

It is advised to read the functional definition and study the message guideline examples thoroughly before implementing any of the three messages.

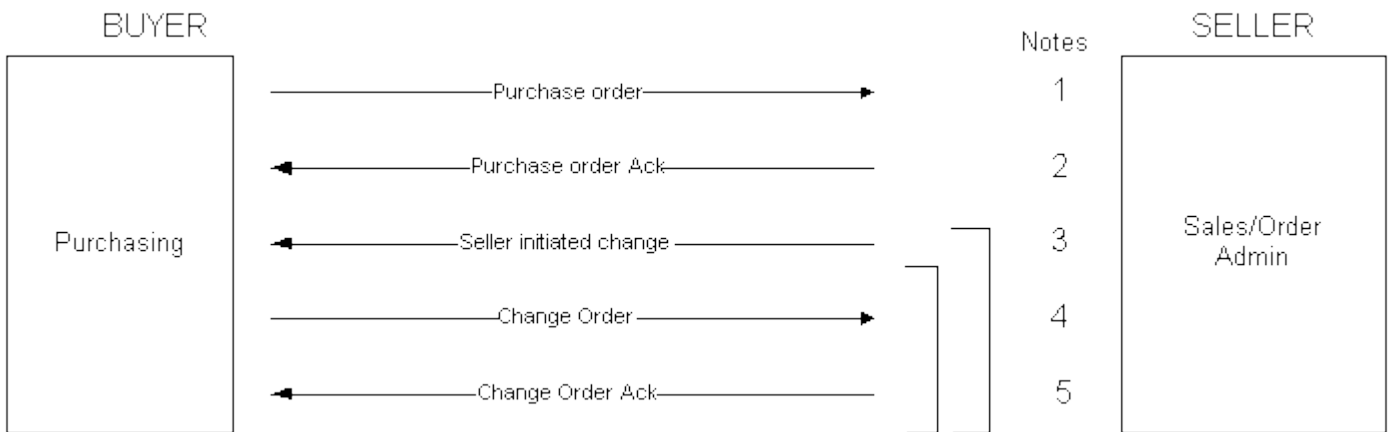
EDIFICE provides three interrelated messages for the purchase ordering process: The Purchase Order (ORDERS), the Purchase Order Change Request (ORDCHG) and the Purchase Order Response (ORDRSP). Together they are used to form a purchase order cycle.

This usage has been created with the intention of satisfying about eighty percent of the electronics industry EDI ordering requirements. It is a 'core' set of segments for the order transaction. During the development of this document it has been recognised that there are further requirements that are special to certain areas of the electronics industry. These requirements will need to be considered under a separate document.

EDI Business Architecture for the Order cycle

The traditional order cycle caters for the ordering of materials and/or services under a business or commercial agreement. It is assumed that this agreement defines all standard, basic trading terms and conditions as agreed between the two parties. As such, all three messages used in the traditional order cycle always constitute a business transaction under this agreement, to which they will refer for basic terms and conditions.

Buyer calculates requirements and places purchase orders, based upon agreed standard product and pricing info, or upon Request for Quote/Quotes.



Notes.

1. Buyer generates (stand-alone) Purchase Order (ORDERS)
2. Seller responds with Order Response (ORDRSP)
3. Seller-initiated changes done via Order Response (ORDRSP)
- 4A. Change Orders issued from buyer to convey buyer-initiated changes (ORDCHG)
- 4B. Change Orders issued from buyer to notify seller of non-acceptance of seller-initiated changes (ORDCHG) - exception process
- 4C. Change Orders issued from the buyer to notify the seller of acceptance of seller-initiated changes (ORDCHG) - option
- 5A. Seller acknowledges Buyer-initiated Change Orders via Order Response (ORDRSP). This ends the loop.
- 5B. Seller acknowledges Change Orders issued by Buyer, as a result of Seller-initiated changes (ORDRSP). This ends the loop.

Order Cycle Principles

- The original Purchase Order should refer to a business or commercial agreement. Any subsequent message to the original Purchase Order should refer to the original Purchase Order. In doing so, reference to the business or commercial agreement for the business transaction is given indirectly. Therefore, no reference to the contract or quote agreement needs to be specified in Purchase Order Change Requests or Purchase Order Responses following the Purchase Order unless a Purchase Order Change Request is issued to add line items to the Purchase Order.
- If references to more than one contract/quote exist in the same order cycle, an overall agreement applicable to all contracts/quotes involved regarding payment terms, terms of delivery (i.e. data at header level) is needed between the business partners, as this information cannot be conveyed per contract/quote in the EDI message.
- It is recommended to exclude all information that could be previously agreed in a business or commercial agreement from the EDI messages. Examples thereof are TAX, PAT, PCD, TDT, TOD and LOC. Use these segments only if the information needs to be conveyed at the time of ordering.
- One item number (Product Number) agreed to be the primary reference number between the buyer and the seller should be used to identify the item being ordered. Only if a service is ordered for which no code identification exists, may the primary reference be replaced by an item description.
- To identify the individual items being ordered (SG28), the combination of the Buyer's original Document Number (BGM DE1004) and the Buyer's original line number (RFF in SG33 DE1156) will normally be used. Any other means of identification must be agreed upon by the trading partners in the Trading Partner Agreement.
- All information related to purchased goods or services must be specified at the line item level, to avoid any ambiguity. Thus each line item can be treated as an order.
- It is strongly advised not to take minor corrective actions or changes via EDI. One of the objectives of EDI is to provide good data. Should bad data be transmitted or should a change request occur for administrative data in the Header section, then corrective action would normally take place via other means than EDI.
- The use of free text in the messages is highly discouraged.
- Business partners must agree either to send contract/quote information at header level or at line level, all through the order cycle. It is recommended to have these references at the header level for simplicity of processing.

In order to keep the interrelation between the three messages unambiguous, a couple of key definitions and basic assumptions in the information flow need to be clarified.

- If a Purchase Order has more than one line item, it has to be considered as a collection of one line item Purchase Orders being identified by the Purchase Order number and the line item number. Each line item therefore has its own life cycle.
- Each transmitted message in the order cycle must have a unique document number in BGM DE 1004.

EDIFICE recommends to keep all references to preceding messages (except for the reference to the original Purchase Order) at detail level in the RFF segment in SG33. Only if mutually agreed between trading partners and if these references are the same for all line items they may be given at header level in the RFF segment in SG1 and not at the detail level.

Purchase Order Change Request

The Purchase Order Change Request is issued to:

- Request a modification of a previously sent Purchase Order,
- Request a modification of previously sent Purchase Order Change Request/Requests,
- Respond to amendments as proposed in one or many previously sent Purchase Order Response/Responses by the seller,
- State acceptance to amendments as proposed in one or many previously sent Purchase Order Response/Responses by the seller.

A change may NOT be requested on:

- Following information in the Header section: Original Purchase Order number, Currency and the identification of buyer and seller. These changes may only be requested by deleting the line items of the referenced message and placing a new order. Deletion of one, many or all line items involved in a transaction is indicated in LIN, DE 1229, for each separate line item using the value '2' (deleted).
- Those data elements which identify the individual items being ordered (RFF in SG33). These changes may only be requested by deleting the referenced line item and adding a new one.
- The information which identifies the item ordered (LIN DE 7140).

A Purchase Order Change Request must always refer to the original Purchase Order at Header level. Furthermore, the last received Purchase Order Response proposing a change to a line item by the seller or the last transmitted Purchase Order Change Request requesting amendments to a line item by the buyer should be referenced at Detail level for the line item concerned (if any). Only if mutually agreed between trading partners and if these references are the same for all line items they may be given at header level in the RFF segment in SG1 and not at the detail level.

The following data must be transmitted:

- Those required to identify the individual items being ordered (RFF in SG33).
- All segments below the LIN segment, when there is a proposed change in one of them.

It is up to the trading partners to decide whether to transmit the entire detail section (including those line items which have not been changed) or only those line items which have changed.

Trading partners may by mutual agreement decide to make the sending of "scheduling conditions (SCC/QTY/DTM) as it was BEFORE the now transmitted message" optional if the information is not needed in their business relationship.

A single segment group SCC must always precede a single SG52, except when there is a request to split the previous schedule. It is recommended to send the previous schedules before the current schedules, either on a one to one basis or grouped together. This must be previously agreed by the trading partners.

It is also up to the trading partners to agree whether quantities previously ordered and received are included in the QTY segments of SG52.

Any change request on information open for change in the header section will automatically apply to the whole original purchase order.

When a line item in the Purchase Order Change Request is sent as "deleted", "not found" or "not amended" by means of the appropriate code for DE 1229 of the LIN segment, no underlying segments of the LIN need to be transmitted except for the RFF segments specifying the original Purchase Order line number and the preceding message document number (if any). If information in the underlying segment is transmitted, all relevant underlying segments must be transmitted.

Purchase Order Response

A Purchase Order Response is issued to:

- State acceptance to the conditions set out in the Purchase Order or Purchase Order Change Request/Requests as requested by the buyer.
- Propose a modification of the previously received Purchase Order
- Propose a modification of previously received Purchase Order Change Request/Requests

Any change request conveyed in an ORDRSP by the seller is to be considered as a proposal.

In case of non-acceptance by the seller, the Purchase Order Response may not propose changes to:

- The Header section except for SG19 (Allowance or charge) of the referenced message. These may only be proposed by not accepting the line items of the referenced message. Non-acceptance of one, many or all line items involved in the transaction is indicated in LIN, DE 1229 for each separate line item using the value '7' (Not accepted).
- Those data elements which identify the individual items being ordered (RFF in SG34).
- The information which identifies the item ordered (LIN DE 7140).

A Purchase Order Response must always refer to the original Purchase Order at Header level. Furthermore, the last received Purchase Order Change Request requesting amendments to a line item by the buyer should be referenced at Detail level for the line item concerned (if any). Only if mutually agreed between trading partners and if these references are the same for all line items they may be given at header level in the RFF segment in SG1 and not at the detail level.

Note that a Purchase Order Response never references the last transmitted Purchase Order Response for the line item in question. The Purchase Order Response is always sent in response to the last received message from the buyer.

The following data must be transmitted:

- That required to identify the individual items being ordered (RFF in SG34).
- All segments below the LIN segment, when there is a proposed change in one of them.

Acknowledgement, confirmation and proposed amendments may be mixed within the message using the appropriate code in LIN.

It is up to the trading partners to decide whether to transmit the entire detail section (including those line items which have not been acted upon) or only those line items which have been acted upon.

Trading partners may by mutual agreement decide to make the sending of "scheduling conditions (SCC/QTY/DTM) as it was BEFORE the now transmitted message" optional if the information is not needed in their business relationship.

A single segment group SCC must always precede a single SG54, except when there is a proposal to split the previous schedule. It is recommended to send the requested schedules before the proposed schedules, either on a one to one basis or grouped together. This must be previously agreed by the trading partners.

It is also up to the trading partners to agree whether quantities previously ordered and received are included in the QTY segments of SG54.

A proposed change to SG19 (Allowance or charge) will automatically apply to the whole purchase order.

When a line item in the Purchase Order Response is acknowledged as "no action", "accepted without amendment", "not accepted", "deleted" or "not found", by means of the appropriate code for DE 1229 of the LIN segment, no underlying segments of the referenced LIN need to be transmitted except for the RFF segments specifying the original Purchase Order line number and the preceding message from the buyer, i.e. preceding Purchase Order Change Request document number (if any). If information in the underlying segments is transmitted, all relevant underlying segments must be transmitted.

Structure of references and scheduling conditions

(for further clarification, see Example 4)

The three messages involved in the purchase order cycle interact at line item level. For example, an original Purchase Order or a Purchase Order Change Request with multiple line items may be responded to with several different Purchase Order Responses. Each one of the Responses may contain responses to one or many of the requested line items of the original Purchase Order or Purchase Order Change Request. Accordingly, a Purchase Order Change Request may contain amendments to one or many line items of a previously transmitted Purchase Order, Purchase Order Change Request or received Purchase Order Response.

Also, the line items that are being responded to in a Purchase Order Response may originate from a Purchase Order or from several Purchase Order Change Requests or from both the original Purchase Order and one or many previous Purchase Order Change Requests. The line items that are being amended in a Purchase Order Change Request may, according to the same principle, originate from several different preceding messages.

Basically, there is an interrelated mechanism in the messages which enable the interaction at line item level: the reference to the previously sent message at line item level, which automatically gives the reference to the previously communicated scheduling conditions for the line item in question.

- ORDERS
 - BGM : purchase order number
 - RFF (SG1) : contract/quote information
 - RFF (SG33) : line number
 - QTY (SG54) : ordered quantity
 - DTM (SG54) : requested delivery/shipment date
- ORDRSP
 - BGM : purchase order response number
 - RFF (SG1) : purchase order number
 - RFF (SG31) : line number
 - RFF (SG31) : preceding Purchase Order Change document number for this line item
 - a) QTY (SG52) : ordered quantity
 - DTM (SG52) : requested delivery/shipment date
 - b) QTY (SG52) : quantity to be delivered
 - DTM (SG52) : schedule delivery/shipment date
- ORDCHG
 - BGM : purchase order change request number
 - RFF (SG1) : purchase order number

RFF (SG31) : line number
RFF (SG31) : preceding message document number for this line item (Purchase Order Change or Purchase Order Response)
a) QTY (SG52) : previous order quantity
DTM (SG52) : superseded date
b) QTY (SG52) : proposed new order quantity
DTM (SG52) : schedule delivery/shipment date

Any subsequent Purchase Order Change or Purchase Order Response to the original order should include

- a. the scheduling conditions (QTY/DTM) as they were BEFORE the now transmitted message, if agreed by the trading partners,
and
- b. the new proposed/requested scheduling conditions except where SG55 is used for positioning or where a line item is being added (see message details for further explanation).

The situation a) is always retrieved from the preceding message for the line item in question.

The preceding message for the line item is always referenced in the RFF segment in SG32.

The original Purchase Order for the line item (and for all line items in the same subsequent message) is always referenced in the RFF segment in SG1.

If no preceding message exists other than the original Purchase Order, there will be no reference in SG32 except for the line number reference. If this is the case, situation a) should be retrieved from the original Purchase Order.

For each line item, there can only be one reference to the preceding message at line item level as there can only ever be one preceding message for that line item.

Identified timing problem:

A mismatch in the referencing mechanism might appear if the buyer and the seller transmit messages involving the same line item/items at the same time. It is up to the business partners to agree on how to handle the situation if it should occur.

REFERENCES

Refer to the document : Reference list for the EDIFICE message guidelines – Issue 1

EXPLANATORY NOTES

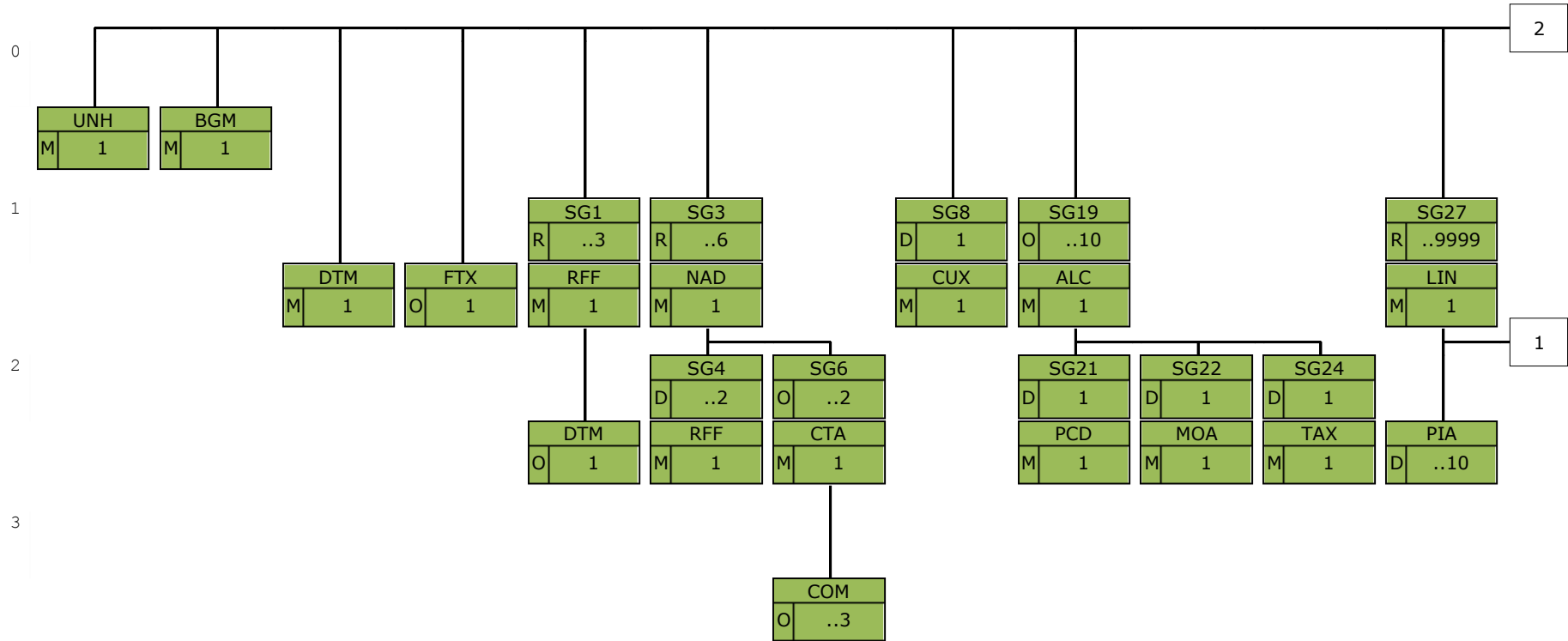
Refer to the document : Explanatory notes for the EDIFICE message guidelines – Issue 1

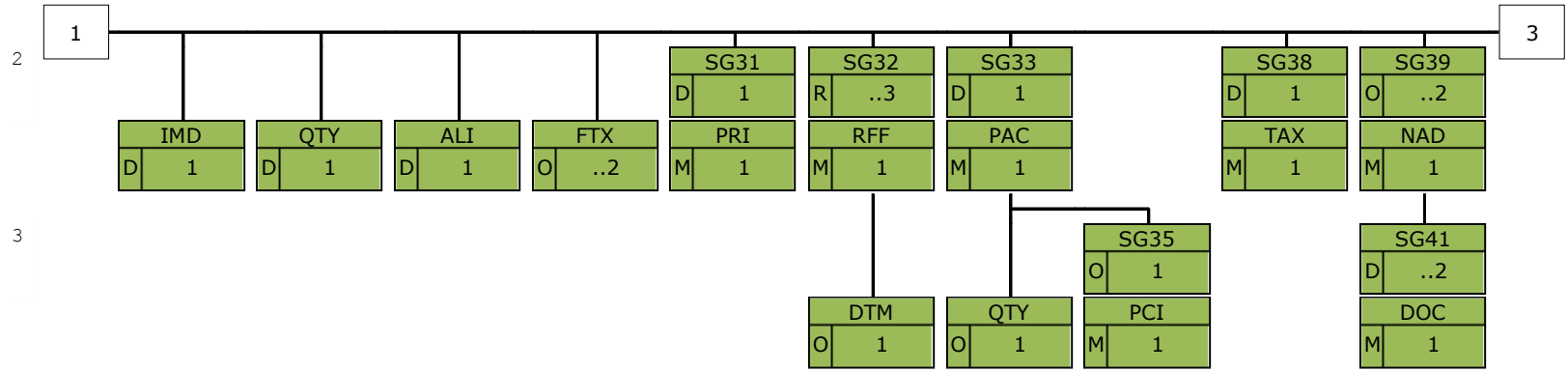
MESSAGE STRUCTURE CHART

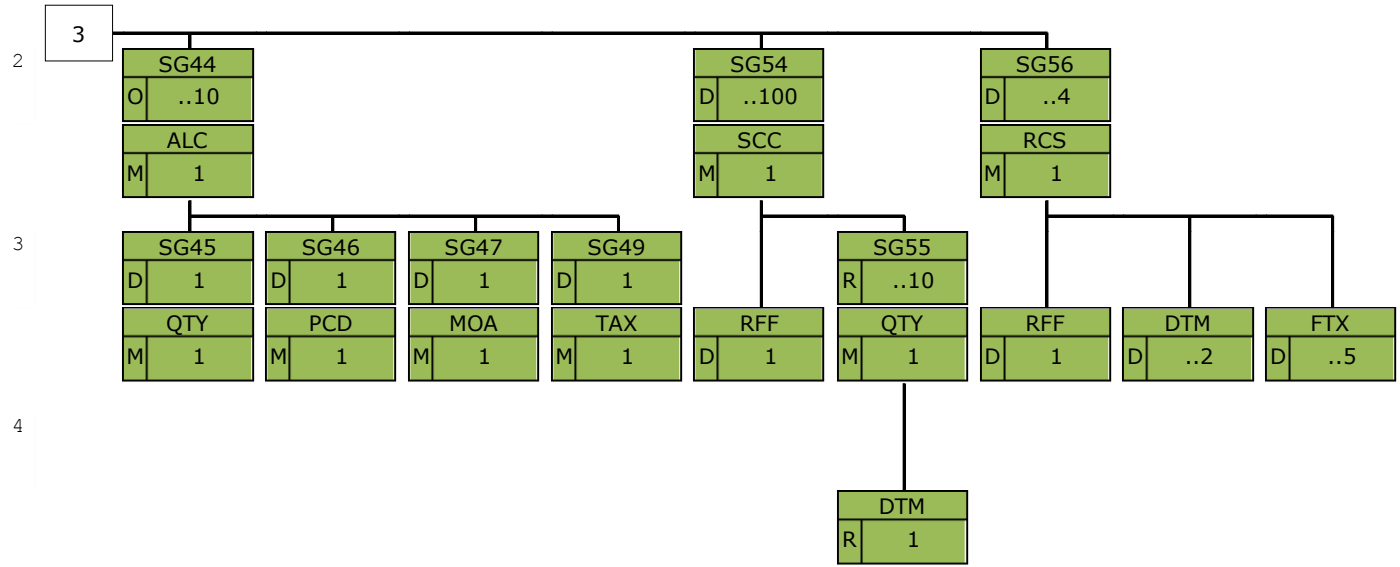
UNH	Message header	M1
BGM	Beginning of message	M1
DTM	Date/time/period	M1
FTX	Free text	O1
SG1		R..3
RFF	Reference	M1
DTM	Date/time/period	O1
SG3		R..6
NAD	Name and address	M1
SG4		D..2
RFF	Reference	M1
SG6		O..2
CTA	Contact information	M1
COM	Communication contact	O..3
SG8		D1
CUX	Currencies	M1
SG19		O..10
ALC	Allowance or charge	M1
SG21		D1
PCD	Percentage details	M1
SG22		D1
MOA	Monetary amount	M1
SG24		D1
TAX	Duty/tax/fee details	M1
SG27		R..9999
LIN	Line item	M1
PIA	Additional product id	D..10
IMD	Item description	D1
QTY	Quantity	D1
ALI	Additional information	D1
FTX	Free text	O..2
SG31		D1
PRI	Price details	M1
SG32		R..3
RFF	Reference	M1
DTM	Date/time/period	O1
SG33		D1
PAC	Package	M1
QTY	Quantity	O1
SG35		O1
PCI	Package identification	M1
SG38		D1
TAX	Duty/tax/fee details	M1
SG39		O..2
NAD	Name and address	M1
SG41		D..2
DOC	Document/message details	M1
SG44		O..10
ALC	Allowance or charge	M1
SG45		D1
QTY	Quantity	M1
SG46		D1
PCD	Percentage details	M1
SG47		D1
MOA	Monetary amount	M1
SG49		D1

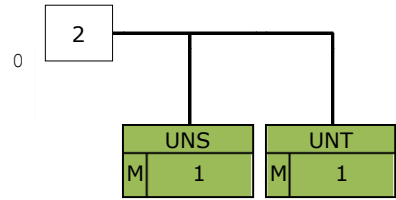
TAX	Duty/tax/fee details	M1
SG54		D..100
SCC	Scheduling conditions	M1
RFF	Reference	D1
SG55		R..10
QTY	Quantity	M1
DTM	Date/time/period	R1
SG56		D..4
RCS	Requirements and conditions	M1
RFF	Reference	D1
DTM	Date/time/period	D..2
FTX	Free text	D..5
UNS	Section control	M1
UNT	Message trailer	M1

BRANCHING DIAGRAM









SEGMENT DESCRIPTION

UNH Message header

Function: A service segment heading, and uniquely identifying the message.
Usage: M1

BGM Beginning of message

Function: A segment uniquely identifying the message by means of its coded name, number and function.
Usage: M1

DTM Date/time/period

Function: A segment specifying the date of creation of the message.
Usage: M1

FTX Free text

Function: A segment providing free form or coded text information, applicable to the whole message.
Usage: O1

SG1 RFF-DTM

Function: A group of segments referencing documents and their dates, relating to the whole message.
Usage: R..3
Notes: A Purchase Order Response must refer to the original Purchase Order at header level.

Reference to a preceding received Purchase Order Change Request for each line item should be given at the detail level in the RFF segment in SG32. Only if mutually agreed between trading partners and if this reference is the same for all line items it may be given here and not at detail level.

RFF Reference

Function: A segment specifying a document reference number.
Usage: M1

DTM Date/time/period

Function: A segment specifying the date of the reference document.
Usage: O1

SG3 NAD-SG4-SG6

Function: A group of segments identifying the parties involved and their associated information, relevant to the whole message.
Usage: R..6
Notes: The NAD segments that identify the buyer and the seller must be present and may not be different from the ones on the original Purchase Order message.
SG4 is used if EC regulations and/or country law requires reference numbers to be sent.

NAD Name and address

Function: A segment identifying the function and coded identification, name and address of a party involved.
Usage: M1

SG4 RFF

Function: A group of segments giving references relating to the identified buying party involved.
Usage: D..2
Notes:

RFF Reference

Function: A segment specifying a company specific reference.
Usage: M1

SG6 CTA-COM

Function: A group of segments giving contact details of the specific person or department within the identified selling party involved, to whom communication should be directed.

Usage: O..2
Notes: This segment group will only be used under the NAD identifying the seller.

CTA Contact information

Function: A segment identifying a person or department, and their function.
Usage: M1

COM Communication contact

Function: A segment identifying a communications type and number.
Usage: O..3

SG8 CUX

Function: A group of segments specifying the currency, valid for the whole message.
Usage: D 1
Notes: The currency must be specified if prices and/or amounts are sent, and can not be different from that specified in the referenced original Purchase Order.

CUX Currencies

Function: A segment specifying the order currency for all prices and/or amounts.
Usage: M1

SG19 ALC-SG21-SG22-SG24

Function: A group of segments specifying allowances and/or charges and related tax information, for the Purchase Order.
Usage: O..10
Notes: A proposed change by the seller will automatically apply to the whole original Purchase Order. Allowances and/or charges at header level and line level are independent, i.e. line level does not override header level. Both may occur. SG21 is only used if the allowance or charge is percentage based. SG22 is only used if the allowance or charge is an absolute monetary amount. Use SG21 or SG22 but not both. SG24 is only used if tax or duty apply to the allowance or charge.

ALC Allowance or charge

Function: A segment specifying an allowance or charge, its settlement and calculation sequence.
Usage: M1

SG21 PCD

Function: A group of segments specifying an allowance or charge as a percentage.
Usage: D 1
Notes:

PCD Percentage details

Function: A segment specifying an allowance or charge percentage applying to the order value.
Usage: M1

SG22 MOA

Function: A group of segments specifying the total monetary amount for the allowance or charge.
Usage: D 1
Notes: The currency of this monetary amount is determined in the header CUX segment and cannot be different here.

MOA Monetary amount

Function: A segment specifying the total monetary amount.
Usage: M1

SG24 TAX

Function: A group of segments specifying tax related information for the allowance or charge.
Usage: D 1
Notes:

TAX Duty/tax/fee details

Function: A segment specifying Value Added Tax, category and rate.
Usage: M 1

SG27 LIN-PIA-IMD-QTY-ALI-FTX-SG31-SG32-SG33-SG38-SG39-SG44-SG54-SG56

Function: A group of segments providing details of the individual line items i.e. ordered products or services.
Usage: R..9999
Notes: When a line item is acknowledged as 'No action', 'Accepted without amendment', 'Not accepted', 'Deleted' or 'Not found', by means of the appropriate code for DE 1229 of the LIN segment, no underlying segments or segment groups of the referenced LIN need be transmitted except for the RFF segments specifying the original Purchase Order line number and a preceding message from the buyer, i.e. preceding Purchase Order Change Request document number.
When a referenced line is accepted with amendments, all relevant underlying segments or segment groups must be transmitted.
The PIA segment is dependent on whether the primary reference to the line item being ordered is insufficient to identify the item.
The IMD segment is used to provide an additional description of the primary reference to the line item being ordered. It may also be used for items that can not be identified by a code or article number.
The QTY segment is used if the total of the scheduled quantities is, or needs to be, specified.
The ALI segment is dependent on legal requirements.
SG31 is used to acknowledge or specify a proposed change in the line item price.
SG33 is used to specify alternative packaging methods which have been agreed between trading partners.
SG38 is used if country law requires tax to be specified.
SG54 is used if scheduling conditions are, or need to be, specified.

LIN Line item

Function: A segment identifying a line item by its item number, and agreed to be the primary reference number between the buyer and seller.
The segment also carries a sequence number assigned to the line item within the message, and the action taken.
Usage: M 1

PIA Additional product id

Function: A segment providing additional or substitute identification numbers for the line item.
Usage: D..10

IMD Item description

Function: A segment specifying ship to stock or ship to line quality and/or an additional description in clear or coded form, for the line item.
Usage: D 1

QTY Quantity

Function: A segment specifying the total quantity to be delivered for the line item.
Usage: D 1

ALI Additional information

Function: A segment indicating the country of origin or export restrictions for the line item.
Usage: D 1

FTX Free text

Function: A segment providing free form or coded text information for the line item.
Usage: O..2

SG31 PRI

Function: A group of segments acknowledging or specifying a proposed change in the line item price.
Usage: D 1

Notes:

PRI Price details

Function: A segment acknowledging, or specifying a proposed change to the line item price and the qualifying information.

Usage: M1

SG32 RFF-DTM

Function: A group of segments specifying references for the line item.

Usage: R..3

Notes:

RFF Reference

Function: A segment specifying the line item reference number as given by the buyer, or a document reference number.

Usage: M1

DTM Date/time/period

Function: A segment specifying the date of the reference document.

Usage: O1

SG33 PAC-QTY-SG35

Function: A group of segments specifying product packaging information.

Usage: D1

Notes:

PAC Package

Function: A segment specifying the product package type.

Usage: M1

QTY Quantity

Function: A segment specifying the number of products contained in the package type.

Usage: O1

SG35 PCI

Function: A group of segments specifying the marking and labelling instructions for the product packages.

Usage: O1

Notes:

PCI Package identification

Function: A segment specifying the buyer's marking and labelling instructions.

Usage: M1

SG38 TAX

Function: A group of segments specifying tax related information for the line item.

Usage: D1

Notes:

TAX Duty/tax/fee details

Function: A segment specifying Value Added Tax, category and rate for the line item.

Usage: M1

SG39 NAD-SG41

Function: A group of segments identifying the parties involved and their associated information, for the line item.

Usage: O..2

Notes: SG39 is only used when DE 3035 in NAD = 'BY'.

NAD Name and address

Function: A segment identifying either the buyer as the party requesting the certificates or the manufacturer's code, for the line item.

Usage: M1

SG41 DOC

Function: A group of segments specifying the certificates.

Usage: D..2

Notes:

DOC Document/message details

Function: A segment specifying a requested certificate.

Usage: M1

SG44 ALC-SG45-SG46-SG47-SG49

Function: A group of segments specifying allowances and/or charges and related tax information for the line item.

Usage: O..10

Notes: Allowances and/or charges at header level and line level are independent, i.e. line level does not override header level.

Both may occur.

SG44 is only used if the allowance or charge is quantity related.

SG46 is only used if the allowance or charge is percentage based.

SG47 is only used if the allowance or charge is an absolute monetary amount.

Use only one of SG44, SG46 and SG47.

SG49 is only used if tax or duty apply to the allowance or charge.

ALC Allowance or charge

Function: A segment specifying an allowance or charge, its settlement and calculation sequence.

Usage: M1

SG45 QTY

Function: A group of segments specifying quantity information for an allowance or charge.

Usage: D 1

Notes:

QTY Quantity

Function: A segment specifying the ordered quantity as the basis for an allowance or charge.

Usage: M1

SG46 PCD

Function: A group of segments specifying an allowance or charge as a percentage.

Usage: D 1

Notes:

PCD Percentage details

Function: A segment specifying an allowance or charge percentage.

Usage: M1

SG47 MOA

Function: A group of segments specifying the total monetary amount of the allowance or charge.

Usage: D 1

Notes: Currency of monetary amount is determined in the header CUX segment and cannot be different here.

MOA Monetary amount

Function: A segment specifying a monetary amount.

Usage: M1

SG49 TAX

Function: A group of segments specifying tax related information for the allowance or charge.

Usage: D 1

Notes:

TAX Duty/tax/fee details

Function: A segment specifying Value Added Tax, category and rate.

Usage: M1

SG54 SCC-RFF-SG55

Function: A group of segments specifying requested firm and proposed scheduling conditions.

Usage: D..100

Notes: Trading partners must agree whether quantities previously ordered and received are included in the underlying QTY segments of SG55.

In any subsequent message related to the Purchase Order the original sequence of the scheduling conditions as specified on the original order, may not be disrupted. This means that the occurrences of SG54 belonging to one LIN on the original Purchase Order message or a subsequent Purchase Order Change Request message, may not be 'split' over several LIN segments (SG26) in the Purchase Order Response message.

A single segment group SCC must always precede a single SG55, except when there is a proposal to split the schedule. It is recommended to send the requested schedules before the proposed schedules, either on a one to one basis or grouped together. This must be previously agreed by the trading partners.

SCC Scheduling conditions

Function: A segment specifying a firm delivery.

Usage: M1

RFF Reference

Function: A segment identifying the schedule reference number as given by the buyer.

Usage: D 1

SG55 QTY-DTM

Function: A group of segments specifying the requested and proposed delivery dates and quantities scheduled.

Usage: R..10

Notes: Where there is a proposed change to the delivery date and/or the quantity scheduled, it is recommended that there should be at least 2 occurrences of SG55, used in the following way:

1) Indicating the schedule as requested by the buyer:

QTY: DE 6063 '21' Ordered quantity

DTM: DE 2005 '2' Delivery date/time, requested

OR '10' Shipment date/time, requested

2) Indicating the schedule as proposed by the seller:

QTY: DE 6063 '113' Quantity to be delivered

DTM: DE 2005 '67' Delivery date/time, current schedule

OR '689' Shipping date and/or time, current schedule

OR '688' Shipping date, no schedule established as of

In the case of a proposal to split the schedule, SG55 must be repeated as many times as needed (up to 9).

If the 'requested' schedule is accepted by the seller, only combination 2) is required.

If the schedule is transmitted for positioning purposes, only combination 2) is required.

If a schedule is proposed for cancellation, it is recommended that both combination 1) and 2) are present, with QTY DE 6060 of the proposed schedule carrying the value zero and DTM DE 2380 carrying the same value as the buyer's requested schedule date.

The occurrence indicating that no shipping schedule could be established, does not need to be confirmed by the buyer by means of a Purchase Order Change Request message.

If the original Purchase Order is the only preceding message for the line item, the "schedule as requested by the buyer" (combination 1) is retrieved from there. If a Purchase Order Change Request is the preceding message for the line item, combination 1 is retrieved from there. Reference to the original Purchase Order is found in the RFF segment in SG1. Reference to the Purchase Order Change Request is found in the RFF segment in SG32.

QTY Quantity

Function: A segment specifying a quantity.

Usage: M1

DTM Date/time/period

Function: A segment specifying the corresponding date of the quantity.

Usage: R1

SG56 RCS-RFF-DTM-FTX

Function: A group of segments specifying embargo information for the line item.

Usage: D..4

Notes: The RFF and related DTM segments must be sent where required by local law.

The FTX segment must only be sent if local law requires text to accompany the embargo information.

RCS Requirements and conditions

Function: A segment identifying an embargo restriction for the electronics industry.

Usage: M1

RFF Reference

Function: A segment specifying a reference number to the embargo restriction.

Usage: D1

DTM Date/time/period

Function: A segment specifying a date of the reference number.

Usage: D..2

FTX Free text

Function: A segment providing free form or coded text information related to the embargo restriction.

Usage: D..5

UNS Section control

Function: A service segment separating detail and summary section.
Usage: M1

UNT Message trailer

Function: A service segment ending, and providing information for checking the completeness of a message.
Usage: M1

SEGMENT DETAILS



UNH Message header

Function: A service segment heading, and uniquely identifying the message.

Usage : M1

Notes : Refer to EDIFICE Utilisation of the UN/EDIFACT Service Segments, Issue EDSS10

Ref.	Rep.	Name		EDIFICE Utilisation
0062	an..14	M MESSAGE REFERENCE NUMBER	M	Transmission message count from 1
S009		M MESSAGE IDENTIFIER	M	
0065	an..6	M Message type	M	ORDRSP = Purchase order response message
0052	an..3	M Message version number	M	D = Draft version/UN/EDIFACT Directory
0054	an..3	M Message release number	M	10A = Release 2010 - A
0051	an..3	M Controlling agency, coded	M	UN = UN/CEFACT
0057	an..6	C Association assigned code	R	EDOR10 = Purchase order response Issue EDOR10
0110	an..6	C Code list directory version number	N	
0113	an..6	C Message type sub-function identification	N	
0068	an..35	C COMMON ACCESS REFERENCE	N	
S010		C STATUS OF THE TRANSFER	N	
0070	n..2	M Sequence of transfers	N	
0073	a1	C First and last transfer	N	
S016		C MESSAGE SUBSET IDENTIFICATION	N	
0115	an..14	M Message subset identification	N	
0116	an..3	C Message subset version number	N	
0118	an..3	C Message subset release number	N	
0051	an..3	C Controlling agency, coded	N	
S017		C MESSAGE IMPLEMENTATION GUIDELINE IDENTIFICATION	N	
0121	an..14	M Message implementation guideline identification	N	
0122	an..3	C Message implementation guideline version number	N	
0124	an..3	C Message implementation guideline release number	N	
0051	an..3	C Controlling agency, coded	N	
S018		C SCENARIO IDENTIFICATION	N	
0127	an..14	M Scenario identification	N	
0128	an..3	C Scenario version number	N	
0130	an..3	C Scenario release number	N	
0051	an..3	C Controlling agency, coded	N	

BGM Beginning of message

Function: A segment uniquely identifying the message by means of its coded name, number and function.

Usage : M1

Notes :

Ref.	Rep.	Name		EDIFICE Utilisation
C002		C DOCUMENT/MESSAGE NAME	R	
1001	an..3	C Document name code	R	231 = Purchase order response
1131	an..17	C Code list identification code	N	
3055	an..3	C Code list responsible agency code	N	
1000	an..35	C Document name	N	
C106		C DOCUMENT/MESSAGE IDENTIFICATION	R	
1004	an..70	C Document identifier	R	Purchase order response number
1056	an..9	C Version identifier	N	
1060	an..6	C Revision identifier	N	
1225	an..3	C MESSAGE FUNCTION CODE	R	9 = Original 42 = Confirmation via specific means <i>For confirmation of a purchase order response already transmitted by other means</i>
4343	an..3	C RESPONSE TYPE CODE	N	

DTM Date/time/period

Function: A segment specifying the date of creation of the message.

Usage : M1

Notes :

Ref.	Rep.	Name		EDIFICE Utilisation
C507		M DATE/TIME/PERIOD	M	
2005	an..3	M Date or time or period function code qualifier	M	137 = Document issue date time <i>Date when the document is created</i>
2380	an..35	C Date or time or period text	R	Purchase order response date
2379	an..3	C Date or time or period format code	R	102 = CCYMMDD 203 = CCYMMDDHHMM 205 = CCYMMDDHHMMZHHMM <i>Replaces EDIFICE code</i> <i>X03=CCYMMDDHHMMZZZZ</i> 303 = CCYMMDDHHMMZZZ <i>ZZZ = Time zone</i> 304 = CCYMMDDHHMMSSZZZ <i>ZZZ = Time zone</i>

FTX Free text

Function: A segment providing free form or coded text information, applicable to the whole message.
 Usage : O1
 Notes : EDIFICE recommends not to use FTX segments
 Where possible, use CO C107 rather than CO C108.

Ref.	Rep.	Name		EDIFICE Utilisation
4451	an..3	M TEXT SUBJECT CODE QUALIFIER	M	GEN = Entire transaction set 1 = Text for subsequent use <i>The occurrence of this text does not affect order processing</i> 3 = Text for immediate use <i>Text must be read before processing the order</i>
4453	an..3	C FREE TEXT FUNCTION CODE	R	
C107		C TEXT REFERENCE	N	
4441	an..17	M Free text description code	M	
1131	an..17	C Code list identification code	N	
3055	an..3	C Code list responsible agency code	N	
C108		C TEXT LITERAL	D	
4440	an..512	M Free text	M	
4440	an..512	C Free text	O	
4440	an..512	C Free text	O	
4440	an..512	C Free text	O	
4440	an..512	C Free text	O	
3453	an..3	C LANGUAGE NAME CODE	N	
4447	an..3	C FREE TEXT FORMAT CODE	N	

SG1 RFF-DTM

RFF Reference

Function: A segment specifying a document reference number.
 Usage : M1
 Notes :

Ref.	Rep.	Name		EDIFICE Utilisation
C506		M REFERENCE	M	BO = Blanket order number ON = Order document identifier, buyer assigned PP = Purchase order change number <i>Reference number assigned by a buyer for a revision of a purchase order</i> VN = Order number (vendor)
1153	an..3	M Reference code qualifier	M	
1154	an..70	C Reference identifier	R	
1156	an..6	C Document line identifier	N	
1056	an..9	C Version identifier	N	
1060	an..6	C Revision identifier	N	

SG1 RFF-DTM**DTM Date/time/period**

Function: A segment specifying the date of the reference document.

Usage : 01

Notes :

Ref.	Rep.	Name		EDIFICE Utilisation
C507		M DATE/TIME/PERIOD	M	
2005	an..3	M Date or time or period function code qualifier	M	171 = Reference date/time
2380	an..35	C Date or time or period text	R	
2379	an..3	C Date or time or period format code	R	102 = CCYYMMDD 203 = CCYYMMDDHHMM 205 = CCYYMMDDHHMMZHHMM <i>Replaces EDIFICE code</i> <i>X03=CCYYMMDDHHMMZZZZ</i> 303 = CCYYMMDDHHMMZZZ <i>ZZZ = Time zone</i> 304 = CCYYMMDDHHMMSSZZZ <i>ZZZ = Time zone</i>

SG3 NAD-SG4-SG6
NAD Name and address

Function: A segment identifying the function and coded identification, name and address of a party involved.

Usage : M1

Notes : It is advised that the party identification CO C082 be used. When CO C082 cannot be used it is recommended to use the structured name and address CO C080 through DE 3207 rather than the unstructured one CO C058.

Ref.	Rep.	Name		EDIFICE Utilisation
3035	an..3	M PARTY FUNCTION CODE QUALIFIER	M	AK = Acknowledgement recipient BY = Buyer DP = Delivery party FW = Freight forwarder IV = Invoicee SE = Seller 9 = GS1 16 = US, D&B (Dun & Bradstreet Corporation) 91 = Assigned by seller or seller's agent 92 = Assigned by buyer or buyer's agent
C082		C PARTY IDENTIFICATION DETAILS	A	
3039	an..35	M Party identifier	M	
1131	an..17	C Code list identification code	N	
3055	an..3	C Code list responsible agency code	R	
C058		C NAME AND ADDRESS	D	
3124	an..35	M Name and address description	M	
3124	an..35	C Name and address description	O	
3124	an..35	C Name and address description	O	
3124	an..35	C Name and address description	O	
C080		C PARTY NAME	D	
3036	an..70	M Party name	M	
3036	an..70	C Party name	O	
3036	an..70	C Party name	O	
3036	an..70	C Party name	O	
3036	an..70	C Party name	O	
3045	an..3	C Party name format code	N	
C059		C STREET	D	
3042	an..35	M Street and number or post office box identifier	M	
3042	an..35	C Street and number or post office box identifier	O	
3042	an..35	C Street and number or post office box identifier	O	
3042	an..35	C Street and number or post office box identifier	O	
3164	an..35	C CITY NAME	D	
C819		C COUNTRY SUBDIVISION DETAILS	C	
3229	an..9	C Country subdivision identifier	D	
1131	an..17	C Code list identification code	N	
3055	an..3	C Code list responsible agency code	N	
3228	an..70	C Country subdivision name	N	
3251	an..17	C POSTAL IDENTIFICATION CODE	D	
3207	an..3	C COUNTRY IDENTIFIER	D	Use ISO 3166, 2 alpha code

SG4 RFF

RFF Reference

Function: A segment specifying a company specific reference.

Usage : M1

Notes :

Ref.	Rep.	Name		EDIFICE Utilisation
C506		M REFERENCE	M	VA = VAT registration number <i>Unique number assigned by the relevant tax authority to identify a party for use in relation to Value Added Tax (VAT)</i> GN = Government reference number
1153	an..3	M Reference code qualifier	M	
1154	an..70	C Reference identifier	R	
1156	an..6	C Document line identifier	N	
1056	an..9	C Version identifier	N	
1060	an..6	C Revision identifier	N	

SG6 CTA-COM

CTA Contact information

Function: A segment identifying a person or department, and their function.

Usage : M1

Notes :

Ref.	Rep.	Name	EDIFICE Utilisation	
3139	an..3	C CONTACT FUNCTION CODE	R	OC = Order contact SC = Schedule contact If a code is available use DE 3413, otherwise use DE 3412.
C056		C CONTACT DETAILS	R	
3413	an..17	C Contact identifier	D	
3412	an..256	C Contact name	D	

SG6 CTA-COM**COM Communication contact**

Function: A segment identifying a communications type and number.

Usage : 0..3

Notes :

Ref.	Rep.	Name		EDIFICE Utilisation
C076		M COMMUNICATION CONTACT	M	
3148	an..512	M Communication address identifier	M	
3155	an..3	M Communication means type code	M	EM = Electronic mail FX = Telefax TE = Telephone

SG8 CUX

CUX Currencies

Function: A segment specifying the order currency for all prices and/or amounts.
 Usage : M1
 Notes :

Ref.	Rep.	Name	EDIFICE Utilisation	
C504		C CURRENCY DETAILS	R	
6347	an..3	M Currency usage code qualifier	M	
6345	an..3	C Currency identification code	R	Use ISO 4217, 3 alpha code 2 = Reference currency 9 = Order currency
6343	an..3	C Currency type code qualifier	R	
6348	n..4	C Currency rate	N	
C504		C CURRENCY DETAILS	N	
6347	an..3	M Currency usage code qualifier	N	
6345	an..3	C Currency identification code	N	
6343	an..3	C Currency type code qualifier	N	
6348	n..4	C Currency rate	N	
5402	n..12	C CURRENCY EXCHANGE RATE	N	
6341	an..3	C EXCHANGE RATE CURRENCY MARKET IDENTIFIER	N	

SG19 ALC-SG21-SG22-SG24

ALC Allowance or charge

Function: A segment specifying an allowance or charge, its settlement and calculation sequence.

Usage : M1

Notes : If an allowance or charge is previously agreed, CO C552 is used to convey this. If an allowance or charge is required at the time of ordering, use CO C214. These data elements cannot be used in the same segment occurrence. Use DE 1227 to specify sequence of calculation if more than one ALC segment is used.

Ref.	Rep.	Name		EDIFICE Utilisation
5463	an..3	M ALLOWANCE OR CHARGE CODE QUALIFIER	M	A = Allowance C = Charge
C552		C ALLOWANCE/CHARGE INFORMATION	D	Either DE 1230 or DE 5189 has to be used.
1230	an..35	C Allowance or charge identifier	D	
5189	an..3	C Allowance or charge identification code	D	
4471	an..3	C SETTLEMENT MEANS CODE	D	5 = Charge to be paid by vendor 6 = Charge to be paid by customer
1227	an..3	C CALCULATION SEQUENCE CODE	D	Use this if DE 5463 indicates 'Charge' To specify the sequence in which an allowance or charge is calculated. The number must be in ascending order, with no gaps and starting from 1. The basis for calculation of the first allowance or charge is the total line items amount. The basis for calculation of any subsequent allowance or charge is the amount resulting from the previous calculation.
C214		C SPECIAL SERVICES IDENTIFICATION	D	
7161	an..3	C Special service description code	M	See UN/EDIFACT code list
1131	an..17	C Code list identification code	N	
3055	an..3	C Code list responsible agency code	N	
7160	an..35	C Special service description	N	
7160	an..35	C Special service description	N	

SG21 PCD**PCD Percentage details**

Function: A segment specifying an allowance or charge percentage applying to the order value.

Usage : M1

Notes :

Ref.	Rep.	Name		EDIFICE Utilisation
C501		M PERCENTAGE DETAILS	M	
5245	an..3	M Percentage type code qualifier	M	3 = Monetary amount adjustment percentage
5482	n..10	C Percentage	R	
5249	an..3	C Percentage basis identification code	R	
1131	an..17	C Code list identification code	R	
3055	an..3	C Code list responsible agency code	N	
4405	an..3	C STATUS DESCRIPTION CODE	N	

SG22 MOA**MOA Monetary amount**

Function: A segment specifying the total monetary amount.

Usage : M1

Notes :

Ref.	Rep.	Name		EDIFICE Utilisation
C516		M MONETARY AMOUNT	M	
5025	an..3	M Monetary amount type code qualifier	M	8 = Allowance or charge amount
5004	n..35	C Monetary amount	R	Total amount
6345	an..3	C Currency identification code	N	
6343	an..3	C Currency type code qualifier	N	
4405	an..3	C Status description code	N	

SG24 TAX

TAX Duty/tax/fee details

Function: A segment specifying Value Added Tax, category and rate.

Usage : M1

Notes : CO C243 is not used when DE 5305 = 'E'.

Ref.	Rep.	Name		EDIFICE Utilisation
5283	an..3	M DUTY OR TAX OR FEE FUNCTION CODE QUALIFIER	M	7 = Tax
C241		C DUTY/TAX/FEE TYPE	R	
5153	an..3	C Duty or tax or fee type name code	R	VAT = Value added tax
1131	an..17	C Code list identification code	N	
3055	an..3	C Code list responsible agency code	N	
5152	an..35	C Duty or tax or fee type name	N	
C533		C DUTY/TAX/FEE ACCOUNT DETAIL	N	
5289	an..6	M Duty or tax or fee account code	N	
1131	an..17	C Code list identification code	N	
3055	an..3	C Code list responsible agency code	N	
5286	an..15	C DUTY OR TAX OR FEE ASSESSMENT BASIS QUANTITY	N	
C243		C DUTY/TAX/FEE DETAIL	D	
5279	an..7	C Duty or tax or fee rate code	N	
1131	an..17	C Code list identification code	N	
3055	an..3	C Code list responsible agency code	N	
5278	an..17	C Duty or tax or fee rate	R	Tax rate
5273	an..12	C Duty or tax or fee rate basis code	N	
1131	an..17	C Code list identification code	N	
3055	an..3	C Code list responsible agency code	N	
5305	an..3	C DUTY OR TAX OR FEE CATEGORY CODE	R	AA = Lower rate <i>VAT at a lower rate than standard rate</i>
				E = Exempt from tax
				S = Standard rate
				Z = Zero rated goods
3446	an..20	C PARTY TAX IDENTIFIER	N	
1227	an..3	C CALCULATION SEQUENCE CODE	N	
5307	an..3	C TAX OR DUTY OR FEE PAYMENT DUE DATE CODE	N	

SG27 LIN-PIA-IMD-QTY-ALI-FTX-SG31-SG32-SG33-SG38-SG39-SG44-SG54-SG56

LIN Line item

Function: A segment identifying a line item by its item number, and agreed to be the primary reference number between the buyer and seller.
 The segment also carries a sequence number assigned to the line item within the message, and the action taken.

Usage : M1

Notes : For a line item referring to a service which has no coded identification, the primary identification is found in segment IMD, rather than in CO C212.

Ref.	Rep.	Name	EDIFICE Utilisation
1082	an..6	C LINE ITEM IDENTIFIER	R It is required to assign a number to the line items within a message. The number is assigned by the sender of the message. Normally the first line item within a message will be numbered 1 and further line items will be incremented by 1 for each new line.
1229	an..3	C ACTION CODE	R The action request code on the Purchase Order Response indicates the action which has been taken by the seller against a requested action on a Purchase Order or Purchase Order Change Request by the buyer. <ul style="list-style-type: none"> 2 = Deleted <i>Seller deletes a line item from the original Purchase Order following a buyer's Purchase Order Change Request</i> 4 = No action <i>Used only if trading partners have agreed always to transmit the entire detail section (including those line items which have not been acted upon)</i> 5 = Accepted without amendment <i>The line item of the referenced message is entirely accepted by the seller</i> 6 = Accepted with amendment <i>The line item of the referenced message is accepted but amended by the seller. This code is also used in the case of an amendment initiated by the seller where it is not in direct response to a buyer Purchase Order Change Request; and in the case of multi drops where no shipping schedule could be established for all drops.</i> 7 = Not accepted <i>This line item of the referenced message is not accepted by the seller</i> 10 = Not found <i>Seller is unable to find the line item as transmitted and referenced by buyer</i> Information about a referenced message for the line item is found in the RFF segment in SG32. If no reference to previously received message (i.e. Purchase Order Change Request) exists in SG32, the referenced message is the original Purchase Order.
C212		C ITEM NUMBER IDENTIFICATION	A
7140	an..35	C Item identifier	R Primary reference

7143 an..3	C	Item type identification code	R	BP = Buyer's part number EN = International Article Numbering Association (EAN) MF = Manufacturer's (producer's) article number SRV = EAN.UCC Global Trade Item Number SSS = Distributor's article identifier <i>Replaces EDIFICE code DI=Distributor's part number</i> UP = UPC (Universal product code) VP = Vendor's (seller's) part number
1131 an..17	C	Code list identification code	N	

Ref.	Rep.	Name		EDIFICE Utilisation
3055	an..3	C Code list responsible agency code	R	9 = GS1 89 = Assigned by distributor 90 = Assigned by manufacturer 91 = Assigned by seller or seller's agent 92 = Assigned by buyer or buyer's agent 113 = GS1 US
C829		C SUB-LINE INFORMATION	N	
5495	an..3	C Sub-line indicator code	N	
1082	an..6	C Line item identifier	N	
1222	n..2	C CONFIGURATION LEVEL NUMBER	N	
7083	an..3	C CONFIGURATION OPERATION CODE	N	

SG27 LIN-PIA-IMD-QTY-ALI-FTX-SG31-SG32-SG33-SG38-SG39-SG44-SG54-SG56

PIA Additional product id

Function: A segment providing additional or substitute identification numbers for the line item.
 Usage : D..10
 Notes : The 5 internal repetitions of CO C212 may be used, but EDIFICE recommends to only use the first occurrence.

Ref.	Rep.	Name		EDIFICE Utilisation
4347	an..3	M PRODUCT IDENTIFIER CODE QUALIFIER	M	1 = Additional identification 2 = Identification for potential substitution <i>To indicate an alternative or substitute to the ordered item</i>
C212		M ITEM NUMBER IDENTIFICATION	M	
7140	an..35	C Item identifier	R	
7143	an..3	C Item type identification code	R	AA = Product version number <i>Release number of a product</i> BP = Buyer's part number CL = Colour number CV = Customs article number DR = Drawing revision number DW = Drawing EC = Engineering change level EN = International Article Numbering Association (EAN) GS = General specification number MF = Manufacturer's (producer's) article number MN = Model number SG = Standard group of products (mixed assortment) SN = Serial number SRV = EAN.UCC Global Trade Item Number SSS = Distributor's article identifier <i>Replaces EDIFICE code DI=Distributor's part number</i> UP = UPC (Universal product code) VP = Vendor's (seller's) part number VX = Vendor specification number
1131	an..17	C Code list identification code	N	
3055	an..3	C Code list responsible agency code	R	9 = GS1 89 = Assigned by distributor 90 = Assigned by manufacturer 91 = Assigned by seller or seller's agent 92 = Assigned by buyer or buyer's agent 113 = GS1 US
C212		C ITEM NUMBER IDENTIFICATION	O	As for first C212
7140	an..35	C Item identifier	R	
7143	an..3	C Item type identification code	R	
1131	an..17	C Code list identification code	N	
3055	an..3	C Code list responsible agency code	R	
C212		C ITEM NUMBER IDENTIFICATION	O	As for first C212
7140	an..35	C Item identifier	R	
7143	an..3	C Item type identification code	R	
1131	an..17	C Code list identification code	N	
3055	an..3	C Code list responsible agency code	R	
C212		C ITEM NUMBER IDENTIFICATION	O	As for first C212
7140	an..35	C Item identifier	R	
7143	an..3	C Item type identification code	R	
1131	an..17	C Code list identification code	N	
3055	an..3	C Code list responsible agency code	R	
C212		C ITEM NUMBER IDENTIFICATION	O	As for first C212

7140	an..35	C	Item identifier	R
7143	an..3	C	Item type identification code	R
1131	an..17	C	Code list identification code	N
3055	an..3	C	Code list responsible agency code	R

SG27 LIN-PIA-IMD-QTY-ALI-FTX-SG31-SG32-SG33-SG38-SG39-SG44-SG54-SG56

IMD Item description

Function: A segment specifying ship to stock or ship to line quality and/or an additional description in clear or coded form, for the line item.

Usage : D1

Notes :

Ref.	Rep.	Name		EDIFICE Utilisation
7077	an..3	C DESCRIPTION FORMAT CODE	D	C = Code (from industry code list) F = Free-form 3 = Ship to stock 26 = Ship to line Use DE 7009 for a coded description. If no code is available use DE 7008 instead.
C272		C ITEM CHARACTERISTIC	C	
7081	an..3	C Item characteristic code	O	
1131	an..17	C Code list identification code	N	
3055	an..3	C Code list responsible agency code	N	
C273		C ITEM DESCRIPTION	D	
7009	an..17	C Item description code	A	
1131	an..17	C Code list identification code	N	
3055	an..3	C Code list responsible agency code	N	
7008	an..256	C Item description	D	
7008	an..256	C Item description	O	
3453	an..3	C Language name code	N	
7383	an..3	C SURFACE OR LAYER CODE	N	

SG27 LIN-PIA-IMD-QTY-ALI-FTX-SG31-SG32-SG33-SG38-SG39-SG44-SG54-SG56

QTY Quantity

Function: A segment specifying the total quantity to be delivered for the line item.
 Usage : D1
 Notes : The measure unit qualifier used in DE 6411 applies to all the underlying QTY segments.

Ref.	Rep.	Name		EDIFICE Utilisation
C186		M QUANTITY DETAILS	M	
6063	an..3	M Quantity type code qualifier	M	113 = Quantity to be delivered <i>This is the sum of the underlying QTY segments of SG55, which reflect the new, proposed deliveries.</i>
6060	an..35	M Quantity	M	
6411	an..8	C Measurement unit code	R	CLT = centilitre CMT = centimetre GRM = gram H87 = piece KGM = kilogram LTR = litre MGM = milligram MMT = millimetre MTK = square metre MTQ = cubic metre MTR = metre PCE = piece (*) EDIFICE Code 'PCE' is widely adopted by membership and preferred over the EDIFACT code 'H87' (*) EDIFICE code Other codes should be previously agreed between trading partners.

SG27 LIN-PIA-IMD-QTY-ALI-FTX-SG31-SG32-SG33-SG38-SG39-SG44-SG54-SG56

ALI Additional information

Function: A segment indicating the country of origin or export restrictions for the line item.
 Usage : D1
 Notes :

Ref.	Rep.	Name		EDIFICE Utilisation
3239	an..3	C COUNTRY OF ORIGIN IDENTIFIER	D	Use ISO 3166, 2 alpha code
9213	an..3	C DUTY REGIME TYPE CODE	N	
4183	an..3	C SPECIAL CONDITION CODE	D	16 = Subject to embargo restriction
4183	an..3	C SPECIAL CONDITION CODE	N	
4183	an..3	C SPECIAL CONDITION CODE	N	
4183	an..3	C SPECIAL CONDITION CODE	N	
4183	an..3	C SPECIAL CONDITION CODE	N	
4183	an..3	C SPECIAL CONDITION CODE	N	
4183	an..3	C SPECIAL CONDITION CODE	N	

SG27 LIN-PIA-IMD-QTY-ALI-FTX-SG31-SG32-SG33-SG38-SG39-SG44-SG54-SG56

FTX Free text

Function: A segment providing free form or coded text information for the line item.

Usage : O..2

Notes : EDIFICE recommends not to use FTX segments.
Where possible, use CO C107 rather than CO C108.

Ref.	Rep.	Name		EDIFICE Utilisation
4451	an..3	M TEXT SUBJECT CODE QUALIFIER	M	LIN = Line item 1 = Text for subsequent use <i>The occurrence of this text does not affect order processing</i> 3 = Text for immediate use <i>Text must be read before processing the order response line</i>
4453	an..3	C FREE TEXT FUNCTION CODE	R	
C107		C TEXT REFERENCE	N	
4441	an..17	M Free text description code	M	
1131	an..17	C Code list identification code	N	
3055	an..3	C Code list responsible agency code	N	
C108		C TEXT LITERAL	D	
4440	an..512	M Free text	M	
4440	an..512	C Free text	O	
4440	an..512	C Free text	O	
4440	an..512	C Free text	O	
4440	an..512	C Free text	O	
3453	an..3	C LANGUAGE NAME CODE	N	
4447	an..3	C FREE TEXT FORMAT CODE	N	

SG31 PRI

PRI Price details

Function: A segment acknowledging, or specifying a proposed change to the line item price and the qualifying information.

Usage : M1

Notes :

Ref.	Rep.	Name		EDIFICE Utilisation
C509		C PRICE INFORMATION	R	AAA = Calculation net AAB = Calculation gross <i>Allowances and charges to be applied to the gross price and must be provided in the ALC segment</i> CA = Catalogue CT = Contract DI = Distributor PV = Provisional price QT = Quoted CLT = centilitre CMT = centimetre GRM = gram H87 = piece KGM = kilogram LTR = litre MGM = milligram MMT = millimetre MTK = square metre MTQ = cubic metre MTR = metre PCE = piece (*) EDIFICE Code 'PCE' is widely adopted by membership and preferred over the EDIFACT code 'H87' (*) EDIFICE code Other codes should be previously agreed between trading partners.
5125	an..3	M Price code qualifier	M	
5118	n..15	C Price amount	R	
5375	an..3	C Price type code	R	
5387	an..3	C Price specification code	N	
5284	n..9	C Unit price basis quantity	R	
6411	an..8	C Measurement unit code	R	
5213	an..3	C SUB-LINE ITEM PRICE CHANGE OPERATION CODE	N	

SG32 RFF-DTM

RFF Reference

Function: A segment specifying the line item reference number as given by the buyer, or a document reference number.

Usage : M1

Notes : Where the buyer's line item reference number is to be specified use DE 1156 qualified by code 'LI' in DE 1153.

For all other references use DE 1154 with the relevant qualifier. If this information is given at header level it must not appear here.

Reference to the preceding Purchase Order Change Request message for the line item should be given here. Only if mutually agreed between trading partners and if this reference is the same for all line items it may be given at header level in the RFF segment in SG1 and not here.

Ref.	Rep.	Name		EDIFICE Utilisation	
C506		M REFERENCE	M	BO = Blanket order number JB = Job number LI = Document line identifier <i>Buyer's original line item number</i> PP = Purchase order change number <i>Reference number assigned by a buyer for a revision of a purchase order</i>	
1153	an..3	M Reference code qualifier	M		
1154	an..70	C Reference identifier	D		
1156	an..6	C Document line identifier	D		The buyer's original Purchase Order line item number.
1056	an..9	C Version identifier	N		
1060	an..6	C Revision identifier	N		

SG32 RFF-DTM**DTM Date/time/period**

Function: A segment specifying the date of the reference document.

Usage : 01

Notes :

Ref.	Rep.	Name		EDIFICE Utilisation
C507		M DATE/TIME/PERIOD	M	
2005	an..3	M Date or time or period function code qualifier	M	171 = Reference date/time
2380	an..35	C Date or time or period text	R	
2379	an..3	C Date or time or period format code	R	102 = CCYMMDD 203 = CCYMMDDHHMM 205 = CCYMMDDHHMMZHHMM <i>Replaces EDIFICE code</i> <i>X03=CCYMMDDHHMMZZZZ</i> 303 = CCYMMDDHHMMZZZ <i>ZZZ = Time zone</i> 304 = CCYMMDDHHMMSSZZZ <i>ZZZ = Time zone</i>

SG33 PAC-QTY-SG35

PAC Package

Function: A segment specifying the product package type.

Usage : M1

Notes :

Ref.	Rep.	Name		EDIFICE Utilisation
7224	n..8	C PACKAGE QUANTITY	N	BA = Barrel BB = Bobbin BE = Bundle BG = Bag BQ = Bottle, protected cylindrical BV = Bottle, protected bulbous BX = Box CG = Cage CN = Container, not otherwise specified as transport equipment CR = Crate CS = Case CT = Carton CX = Can, cylindrical DR = Drum EN = Envelope NE = Unpacked or unpackaged PC = Parcel PK = Package PU = Tray pack <i>Replaces code TRY90</i> PX = Pallet RL = Reel <i>Replaces code REL90</i> RO = Roll SW = Shrinkwrapped TN = Tin TU = Tube Other codes should be previously agreed between trading partners.
C531		C PACKAGING DETAILS	N	
7075	an..3	C Packaging level code	N	
7233	an..3	C Packaging related description code	N	
7073	an..3	C Packaging terms and conditions code	N	
C202		C PACKAGE TYPE	R	
7065	an..17	C Package type description code	R	
1131	an..17	C Code list identification code	N	
3055	an..3	C Code list responsible agency code	D	
7064	an..35	C Type of packages	N	
C402		C PACKAGE TYPE IDENTIFICATION	N	
7077	an..3	M Description format code	N	
7064	an..35	M Type of packages	N	
7143	an..3	C Item type identification code	N	
7064	an..35	C Type of packages	N	
7143	an..3	C Item type identification code	N	
C532		C RETURNABLE PACKAGE DETAILS	N	
8395	an..3	C Returnable package freight payment responsibility code	N	
8393	an..3	C Returnable package load contents code	N	

SG33 PAC-QTY-SG35

QTY Quantity

Function: A segment specifying the number of products contained in the package type.

Usage : 01

Notes :

Ref.	Rep.	Name		EDIFICE Utilisation
C186		M QUANTITY DETAILS	M	
6063	an..3	M Quantity type code qualifier	M	52 = Quantity per pack
6060	an..35	M Quantity	M	
6411	an..8	C Measurement unit code	N	

SG35 PCI

PCI Package identification

Function: A segment specifying the buyer's marking and labelling instructions.

Usage : M1

Notes :

Ref.	Rep.	Name	EDIFICE Utilisation
4233	an..3	C MARKING INSTRUCTIONS CODE	O 16 = Buyer's instructions
C210		C MARKS & LABELS	R
7102	an..35	M Shipping marks description	M Marking and labelling instruction
7102	an..35	C Shipping marks description	O
7102	an..35	C Shipping marks description	O
7102	an..35	C Shipping marks description	O
7102	an..35	C Shipping marks description	O
7102	an..35	C Shipping marks description	O
7102	an..35	C Shipping marks description	O
7102	an..35	C Shipping marks description	O
7102	an..35	C Shipping marks description	O
8169	an..3	C FULL OR EMPTY INDICATOR CODE	N
C827		C TYPE OF MARKING	N
7511	an..3	M Marking type code	N
1131	an..17	C Code list identification code	N
3055	an..3	C Code list responsible agency code	N

SG38 TAX

TAX Duty/tax/fee details

Function: A segment specifying Value Added Tax, category and rate for the line item.

Usage : M1

Notes : CO C243 is not used when DE 5305 = 'E'.

Ref.	Rep.	Name		EDIFICE Utilisation
5283	an..3	M DUTY OR TAX OR FEE FUNCTION CODE QUALIFIER	M	7 = Tax
C241		C DUTY/TAX/FEE TYPE	R	
5153	an..3	C Duty or tax or fee type name code	R	VAT = Value added tax
1131	an..17	C Code list identification code	N	
3055	an..3	C Code list responsible agency code	N	
5152	an..35	C Duty or tax or fee type name	N	
C533		C DUTY/TAX/FEE ACCOUNT DETAIL	N	
5289	an..6	M Duty or tax or fee account code	N	
1131	an..17	C Code list identification code	N	
3055	an..3	C Code list responsible agency code	N	
5286	an..15	C DUTY OR TAX OR FEE ASSESSMENT BASIS QUANTITY	N	
C243		C DUTY/TAX/FEE DETAIL	D	
5279	an..7	C Duty or tax or fee rate code	N	
1131	an..17	C Code list identification code	N	
3055	an..3	C Code list responsible agency code	N	
5278	an..17	C Duty or tax or fee rate	R	Tax rate
5273	an..12	C Duty or tax or fee rate basis code	N	
1131	an..17	C Code list identification code	N	
3055	an..3	C Code list responsible agency code	N	
5305	an..3	C DUTY OR TAX OR FEE CATEGORY CODE	R	AA = Lower rate <i>VAT at a lower rate than standard rate</i> E = Exempt from tax S = Standard rate Z = Zero rated goods
3446	an..20	C PARTY TAX IDENTIFIER	N	
1227	an..3	C CALCULATION SEQUENCE CODE	N	
5307	an..3	C TAX OR DUTY OR FEE PAYMENT DUE DATE CODE	N	

SG39 NAD-SG41
NAD Name and address

Function: A segment identifying either the buyer as the party requesting the certificates or the manufacturer's code, for the line item.

Usage : M1

Notes : CO C082 is only used if DE 3035 = 'MF'.

Ref.	Rep.	Name		EDIFICE Utilisation
3035	an..3	M PARTY FUNCTION CODE QUALIFIER	M	BY = Buyer MF = Manufacturer of goods
C082		C PARTY IDENTIFICATION DETAILS	D	
3039	an..35	M Party identifier	M	Manufacturer's code
1131	an..17	C Code list identification code	D	
3055	an..3	C Code list responsible agency code	R	To be agreed between trading partners
C058		C NAME AND ADDRESS	N	
3124	an..35	M Name and address description	N	
3124	an..35	C Name and address description	N	
3124	an..35	C Name and address description	N	
3124	an..35	C Name and address description	N	
3124	an..35	C Name and address description	N	
C080		C PARTY NAME	N	
3036	an..70	M Party name	N	
3036	an..70	C Party name	N	
3036	an..70	C Party name	N	
3036	an..70	C Party name	N	
3036	an..70	C Party name	N	
3045	an..3	C Party name format code	N	
C059		C STREET	N	
3042	an..35	M Street and number or post office box identifier	N	
3042	an..35	C Street and number or post office box identifier	N	
3042	an..35	C Street and number or post office box identifier	N	
3042	an..35	C Street and number or post office box identifier	N	
3164	an..35	C CITY NAME	N	
C819		C COUNTRY SUBDIVISION DETAILS	N	
3229	an..9	C Country subdivision identifier	N	
1131	an..17	C Code list identification code	N	
3055	an..3	C Code list responsible agency code	N	
3228	an..70	C Country subdivision name	N	
3251	an..17	C POSTAL IDENTIFICATION CODE	N	
3207	an..3	C COUNTRY IDENTIFIER	N	

SG41 DOC**DOC Document/message details**

Function: A segment specifying a requested certificate.

Usage : M1

Notes :

Ref.	Rep.	Name		EDIFICE Utilisation
C002		M DOCUMENT/MESSAGE NAME	M	
1001	an..3	C Document name code	R	2 = Certificate of conformity 861 = Certificate of origin
1131	an..17	C Code list identification code	N	
3055	an..3	C Code list responsible agency code	N	
1000	an..35	C Document name	N	
C503		C DOCUMENT/MESSAGE DETAILS	N	
1004	an..70	C Document identifier	N	
1373	an..3	C Document status code	N	
1366	an..70	C Document source description	N	
3453	an..3	C Language name code	N	
1056	an..9	C Version identifier	N	
1060	an..6	C Revision identifier	N	
3153	an..3	C COMMUNICATION MEDIUM TYPE CODE	N	
1220	n..2	C DOCUMENT COPIES REQUIRED QUANTITY	O	
1218	n..2	C DOCUMENT ORIGINALS REQUIRED QUANTITY	N	

SG44 ALC-SG45-SG46-SG47-SG49

ALC Allowance or charge

Function: A segment specifying an allowance or charge, its settlement and calculation sequence.

Usage : M1

Notes : If an allowance or charge is previously agreed, CO C552 is used to convey this. If an allowance or charge is required at the time of ordering, use CO C214. These data elements cannot be used in the same segment occurrence. Use DE 1227 to specify sequence of calculation if more than one ALC segment is used.

Ref.	Rep.	Name		EDIFICE Utilisation
5463	an..3	M ALLOWANCE OR CHARGE CODE QUALIFIER	M	A = Allowance C = Charge Either DE 1230 or DE 5189 has to be used.
C552		C ALLOWANCE/CHARGE INFORMATION	D	
1230	an..35	C Allowance or charge identifier	D	5 = Charge to be paid by vendor 6 = Charge to be paid by customer Use this if DE 5463 indicates 'Charge'
5189	an..3	C Allowance or charge identification code	D	
4471	an..3	C SETTLEMENT MEANS CODE	D	To specify the sequence in which an allowance or charge is calculated. The number must be in ascending order, with no gaps and starting from 1. The basis for calculation of the first allowance or charge is the amount for the line item. The basis for calculation of any subsequent allowance or charge is the amount for the line item resulting from the previous calculation.
1227	an..3	C CALCULATION SEQUENCE CODE	D	
C214		C SPECIAL SERVICES IDENTIFICATION	D	See UN/EDIFACT code list
7161	an..3	C Special service description code	M	
1131	an..17	C Code list identification code	N	
3055	an..3	C Code list responsible agency code	N	
7160	an..35	C Special service description	N	
7160	an..35	C Special service description	N	

SG45 QTY

QTY Quantity

Function: A segment specifying the ordered quantity as the basis for an allowance or charge.

Usage : M1

Notes :

Ref.	Rep.	Name		EDIFICE Utilisation
C186		M QUANTITY DETAILS	M	
6063	an..3	M Quantity type code qualifier	M	113 = Quantity to be delivered
6060	an..35	M Quantity	M	
6411	an..8	C Measurement unit code	N	

SG46 PCD

PCD Percentage details

Function: A segment specifying an allowance or charge percentage.

Usage : M1

Notes :

Ref.	Rep.	Name		EDIFICE Utilisation
C501		M PERCENTAGE DETAILS	M	
5245	an..3	M Percentage type code qualifier	M	3 = Monetary amount adjustment percentage
5482	n..10	C Percentage	R	
5249	an..3	C Percentage basis identification code	R	
1131	an..17	C Code list identification code	N	
3055	an..3	C Code list responsible agency code	N	
4405	an..3	C STATUS DESCRIPTION CODE	N	

SG47 MOA**MOA Monetary amount**

Function: A segment specifying a monetary amount.

Usage : M1

Notes :

Ref.	Rep.	Name		EDIFICE Utilisation
C516		M MONETARY AMOUNT	M	
5025	an..3	M Monetary amount type code qualifier	M	8 = Allowance or charge amount
5004	n..35	C Monetary amount	R	Total amount
6345	an..3	C Currency identification code	N	
6343	an..3	C Currency type code qualifier	N	
4405	an..3	C Status description code	N	

SG49 TAX

TAX Duty/tax/fee details

Function: A segment specifying Value Added Tax, category and rate.

Usage : M1

Notes : CO C243 is not used when DE 5305 = 'E'.

Ref.	Rep.	Name		EDIFICE Utilisation
5283	an..3	M DUTY OR TAX OR FEE FUNCTION CODE QUALIFIER	M	7 = Tax
C241		C DUTY/TAX/FEE TYPE	R	
5153	an..3	C Duty or tax or fee type name code	R	VAT = Value added tax
1131	an..17	C Code list identification code	N	
3055	an..3	C Code list responsible agency code	N	
5152	an..35	C Duty or tax or fee type name	N	
C533		C DUTY/TAX/FEE ACCOUNT DETAIL	N	
5289	an..6	M Duty or tax or fee account code	N	
1131	an..17	C Code list identification code	N	
3055	an..3	C Code list responsible agency code	N	
5286	an..15	C DUTY OR TAX OR FEE ASSESSMENT BASIS QUANTITY	N	
C243		C DUTY/TAX/FEE DETAIL	D	
5279	an..7	C Duty or tax or fee rate code	N	
1131	an..17	C Code list identification code	N	
3055	an..3	C Code list responsible agency code	N	
5278	an..17	C Duty or tax or fee rate	R	Tax rate
5273	an..12	C Duty or tax or fee rate basis code	N	
1131	an..17	C Code list identification code	N	
3055	an..3	C Code list responsible agency code	N	
5305	an..3	C DUTY OR TAX OR FEE CATEGORY CODE	R	AA = Lower rate <i>VAT at a lower rate than standard rate</i>
				E = Exempt from tax S = Standard rate Z = Zero rated goods
3446	an..20	C PARTY TAX IDENTIFIER	N	
1227	an..3	C CALCULATION SEQUENCE CODE	N	
5307	an..3	C TAX OR DUTY OR FEE PAYMENT DUE DATE CODE	N	

SG54 SCC-RFF-SG55

SCC Scheduling conditions

Function: A segment specifying a firm delivery.

Usage : M1

Notes :

Ref.	Rep.	Name		EDIFICE Utilisation
4017	an..3	M DELIVERY PLAN COMMITMENT LEVEL CODE	M	1 = Firm
4493	an..3	C DELIVERY INSTRUCTION CODE	N	
C329		C PATTERN DESCRIPTION	N	
2013	an..3	C Frequency code	N	
2015	an..3	C Despatch pattern code	N	
2017	an..3	C Despatch pattern timing code	N	

SG54 SCC-RFF-SG55

RFF Reference

Function: A segment identifying the schedule reference number as given by the buyer.

Usage : D 1

Notes : Used if the identification of a specific delivery schedule by the buyer is needed.

Ref.	Rep.	Name		EDIFICE Utilisation
C506		M REFERENCE	M	AAN = Delivery schedule number <i>Reference number assigned by the buyer to a specific firm delivery schedule</i> <i>Replaces EDIFICE code FDS=Firm delivery schedule reference number</i>
1153	an..3	M Reference code qualifier	M	
1154	an..70	C Reference identifier	R	
1156	an..6	C Document line identifier	N	
1056	an..9	C Version identifier	N	
1060	an..6	C Revision identifier	N	

SG55 QTY-DTM

QTY Quantity

Function: A segment specifying a quantity.

Usage : M1

Notes : If a cancellation is proposed the quantity must be set to zero.

Ref.	Rep.	Name		EDIFICE Utilisation
C186		M QUANTITY DETAILS	M	21 = Ordered quantity 113 = Quantity to be delivered <i>Proposed quantity</i>
6063	an..3	M Quantity type code qualifier	M	
6060	an..35	M Quantity	M	
6411	an..8	C Measurement unit code	N	

SG55 QTY-DTM**DTM Date/time/period**

Function: A segment specifying the corresponding date of the quantity.

Usage : R 1

Notes :

Ref.	Rep.	Name		EDIFICE Utilisation
C507		M DATE/TIME/PERIOD	M	
2005	an..3	M Date or time or period function code qualifier	M	2 = Delivery date/time, requested <i>Date on which buyer requests goods to be delivered</i> 10 = Shipment date/time, requested <i>Date on which goods should be shipped or despatched by the supplier</i> 67 = Delivery date/time, current schedule <i>Delivery date deriving from actual schedule</i> <i>Replaces EDIFICE code 758 Original schedule date</i> 68 = Additional period <i>Used for re-scheduled date</i> 688 = Shipping date, no schedule established as of 689 = Shipping date and/or time, current schedule
2380	an..35	C Date or time or period text	R	
2379	an..3	C Date or time or period format code	R	102 = CCYYMMDD 203 = CCYYMMDDHHMM 205 = CCYYMMDDHHMMZHHMM <i>Replaces EDIFICE code</i> <i>X03=CCYYMMDDHHMMZZZZ</i> 303 = CCYYMMDDHHMMZZZ <i>ZZZ = Time zone</i> 304 = CCYYMMDDHHMMSSZZZ <i>ZZZ = Time zone</i>

SG56 RCS-RFF-DTM-FTX**RCS Requirements and conditions**

Function: A segment identifying an embargo restriction for the electronics industry.

Usage : M1

Notes : The values entered in this segment are only used to enable access to the following segments in the segment group.

Ref.	Rep.	Name	EDIFICE Utilisation	
7293	an..3	M SECTOR AREA IDENTIFICATION CODE QUALIFIER	M	4 = Electronic industry
C550		C REQUIREMENT/CONDITION IDENTIFICATION	M	
7295	an..17	M Requirement or condition description identifier	M	EMBARGO
1131	an..17	C Code list identification code	N	
3055	an..3	C Code list responsible agency code	N	
7294	an..35	C Requirement or condition description	N	
1229	an..3	C ACTION CODE	N	
3207	an..3	C COUNTRY IDENTIFIER	N	

SG56 RCS-RFF-DTM-FTX

RFF Reference

Function: A segment specifying a reference number to the embargo restriction.

Usage : D 1

Notes :

Ref.	Rep.	Name		EDIFICE Utilisation
C506		M REFERENCE	M	AEA = Government agency reference number AFE = Export Control Commodity number (ECCN) EB = Embargo permit number EN = Embargo number
1153	an..3	M Reference code qualifier	M	
1154	an..70	C Reference identifier	R	
1156	an..6	C Document line identifier	N	
1056	an..9	C Version identifier	N	
1060	an..6	C Revision identifier	N	

SG56 RCS-RFF-DTM-FTX**DTM Date/time/period**

Function: A segment specifying a date of the reference number.

Usage : D..2

Notes :

Ref.	Rep.	Name		EDIFICE Utilisation
C507		M DATE/TIME/PERIOD	M	
2005	an..3	M Date or time or period function code qualifier	M	36 = Expiry date 171 = Reference date/time
2380	an..35	C Date or time or period text	R	
2379	an..3	C Date or time or period format code	R	102 = CCYYMMDD 203 = CCYYMMDDHHMM 205 = CCYYMMDDHHMMZHHMM <i>Replaces EDIFICE code</i> <i>X03=CCYYMMDDHHMMZZZZZ</i> 303 = CCYYMMDDHHMMZZZ <i>ZZZ = Time zone</i> 304 = CCYYMMDDHHMMSSZZZ <i>ZZZ = Time zone</i>

SG56 RCS-RFF-DTM-FTX

FTX Free text

Function: A segment providing free form or coded text information related to the embargo restriction.
 Usage : D..5
 Notes : This segment must only be present if a declaration is required by law or regulations to be expressed in text.
 EDIFICE recommends not to use FTX segments.
 The language must be specified in DE 3453 if required by regulations.
 Where possible, use CO C107 rather than CO C108.

Ref.	Rep.	Name		EDIFICE Utilisation
4451	an..3	M TEXT SUBJECT CODE QUALIFIER	M	LIN = Line item 1 = Text for subsequent use <i>The occurrence of this text does not affect invoice</i> 3 = Text for immediate use <i>Text must be read before processing the invoice</i>
4453	an..3	C FREE TEXT FUNCTION CODE	R	
C107		C TEXT REFERENCE	N	
4441	an..17	M Free text description code	M	DCS = Destination control statement A statement from the supplier to the customer informing him of legal or other restrictions which limit the resale or re-export of the product.
1131	an..17	C Code list identification code	N	
3055	an..3	C Code list responsible agency code	N	
C108		C TEXT LITERAL	D	
4440	an..512	M Free text	M	As for DE 4441
4440	an..512	C Free text	O	
4440	an..512	C Free text	O	
4440	an..512	C Free text	O	
4440	an..512	C Free text	O	
3453	an..3	C LANGUAGE NAME CODE	D	Use ISO 639
4447	an..3	C FREE TEXT FORMAT CODE	N	

UNS Section control

Function: A service segment separating detail and summary section.

Usage : M1

Notes :

Ref.	Rep.	Name		EDIFICE Utilisation
0081	a1	M SECTION IDENTIFICATION	M	S = Detail/summary section separation

UNT Message trailer

Function: A service segment ending, and providing information for checking the completeness of a message.

Usage : M1

Notes : Refer to EDIFICE Utilisation of the UN/EDIFACT Service Segments, Issue EDSS10

Ref.	Rep.	Name	EDIFICE Utilisation	
0074	n..10	M NUMBER OF SEGMENTS IN A MESSAGE	M	Count of all segments in the message, UNH and UNT included.
0062	an..14	M MESSAGE REFERENCE NUMBER	M	Must be the same reference number as in DE 0062 of the UNH segment of this message.

EXAMPLES

Example 1: Original Purchase Order

UNB+UNOW:4+234567891:1:X+198765432:1:X+971201:1924+66+X:AA+ORDERS++1+X+1'
UNH+1+ORDERS:D:10A:UN:EDPO10'
BGM+220+PO11223+9'
DTM+137:20101014:102'
RFF+CT:9999'
NAD+BY+AABBCC::92'
RFF+VA:12121'
CTA+PD+RICHARD JOHNSON'
COM+327369:TE'
NAD+SE+DDEEFF::92'
NAD+DP+FACTORYA::92'
CUX+2:USD:9'
LIN+1++ITEM222:BP::92'
PIA+1+12345:VP::91'
QTY+21:3000:PCE'
PRI+AAA:5.50:CT::1:PCE'
RFF+LI::37'
SCC+1'
QTY+21:2000'
DTM+2:20100204:102'
SCC+1'
QTY+21:1000'
DTM+2:20100304:102'
UNS+S'
UNT+24+1'
UNZ+1+66'

Example 2: Purchase Order Response

a) The line item is accepted with amendment:

UNB+UNOW:4+123456789:1:X+987654321:1:X+021209:1520+66+X:AA+ORDRSP++1+X+1'
UNH+1+ORDRSP:D:10A:UN:EDOR10'
BGM+231+POR001+9'
DTM+137:20101015:102'
RFF+ON:PO11223'
NAD+BY+AABBCC::92'
NAD+SE+DDEEFF::92'
CTA+OC+SANDRA NELSON'
COM+878760:TE'
CUX+2:USD:9'
LIN+1+6+ITEM222:BP::92'
PIA+1+12345:VP::91'
QTY+113:3300:PCE'
PRI+AAA:5.50:CT::1:PCE'
RFF+LI::37'
SCC+1'
QTY+21:2000'
DTM+2:20100204:102'
QTY+113:2200'
DTM+67:20100204:102'
SCC+1'
QTY+21:1000'
DTM+2:2010304:102'
QTY+113:1100'
DTM+67:20100304:102'
UNS+S'
UNT+26+1'
UNZ+1+66'

b) The line item is accepted without amendment:

UNB+UNOW:4+123456789:1:X+987654321:1:X+021209:1520+66+X:AA+ORDRSP++1+X+1'
UNH+1+ORDRSP:D:97A:UN:EDOR06'
BGM+231+POR001+9'
DTM+137:20101015:102'
RFF+ON:PO11223'
NAD+BY+AABBCC::92'
NAD+SE+DDEEFF::92'
CTA+OC+SANDRA NELSON'
COM+878760:TE'
CUX+2:USD:9'
LIN+1+5+ITEM222:BP::92'
RFF+LI::37'
UNS+S'
UNT+13+1'
UNZ+1+66'

Example 3: Purchase Order Change Request

a) Requesting a change to Purchase Order Response a), Example 2.

UNB+UNOW:4+123456789:1:X+987654321:1:X+021209:1520+66+X:AA+ORDCHG++1+X+1'
UNH+1+ORDCHG:D:10A:UN:EDOC10'
BGM+230+POC1+9'
DTM+137:20101020:102'
RFF+ON:PO11223'
NAD+BY+AABBCC::92'
RFF+VA:12121'
CTA+PD+RICHARD JOHNSON'
COM+327369:TE'
NAD+SE+DDEEFF::92'
NAD+DP+FACTORYa::92'
CUX+2:USD:9'
LIN+1+3+ITEM222:BP::92'
PIA+1+12345:VP::91'
QTY+3:3300:PCE'
PRI+AAA:5.50:CT::1:PCE'
RFF+LI::37'
RFF+AAA:POR001'
SCC+1'
QTY+18:2200'
DTM+42:20100204:102'
QTY+21:2200'
DTM+2:20100128:102'
SCC+1'
QTY+18:1100'
DTM+2:20100304:102'
UNS+S'
UNT+27+1'
UNZ+1+66'

b) Accepting seller-initiated changes in Purchase Order Response a), Example 2 (optional information flow).

UNB+UNOW:4+123456789:1:X+987654321:1:X+021209:1520+66+X:AA+ORDCHG++1+X+1'
UNH+1+ORDCHG:D:10A:UN:EDOC10'
BGM+230+POC1+9'
DTM+137:20101020:102'
RFF+ON:PO11223'
NAD+BY+AABBCC::92'
RFF+VA:12121'
CTA+PD+RICHARD JOHNSON'
COM+327369:TE'
NAD+SE+DDEEFF::92'
NAD+DP+FACTORYa::92'
CUX+2:USD:9'
LIN+1+11+ITEM222:BP::92'
RFF+LI::37'
RFF+AAA:POR001'
UNS+S'
UNT+16+1'
UNZ+1+66'

c) Adding a line to the Original Purchase Order

UNB+UNOW:4+123456789:1:X+987654321:1:X+021209:1520+66+X:AA+ORDCHG++1+X+1'
UNH+1+ORDCHG:D:10A:UN:EDOC10'
BGM+230+POC1+9'
DTM+137:20101020:102'
RFF+ON:PO11223'
RFF+CT:9999'
NAD+BY+AABBCC::92'
RFF+VA:12121'
CTA+PD+RICHARD JOHNSON'
COM+327369:TE'
NAD+SE+DDEEFF::92'
NAD+DP+FACTORYa::92'
CUX+2:USD:9'
LIN+1+1+ITEM444:BP::92'
PIA+1+332233:VP::91'

QTY+3:5000:PCE'
PRI+AAA:3.25:CT::1:PCE'
RFF+LI::85'
SCC+1'
QTY+21:5000'
DTM+2:20100223:102'
UNS+S'
UNT+22+1'
UNZ+1+66'

Example 4: References and scheduling conditions.

PLEASE NOTE THAT THIS EXAMPLE ONLY CONTAINS RELEVANT SEGMENTS TO EXPLAIN THE PRINCIPLE OF REFERENCING AND SCHEDULING.

- 1: Buyer sends ORDERS for lines 75 and 93
- 2: Seller sends ORDRSP for lines 75 and 93
- 3: Buyer sends ORDCHG for line 75
- 4: Buyer sends ORDCHG for line 93
- 5: Seller sends ORDRSP for line 93
- 6: Seller sends ORDRSP for lines 75 and 93

<p>1: BGM+220+POnumber1+9' RFF+CT:123456' LIN+1++ArticleA:VP::92' RFF+LI::75' SCC+1'</p> <p>a) QTY+21:500' a) DTM+2:100215:101' SCC+1'</p> <p>b) QTY+21:1250' b) DTM+2:100301:101' LIN+2++ArticleB:VP::92' RFF+LI::93' SCC+1'</p> <p>c) QTY+21:750' c) DTM+2:100215:101' UNS+S'</p> <p>3: BGM+230+POchangenumber1+9' RFF+ON:POnumber1' LIN+1+3+ArticleA:VP::92' RFF+LI::75' RFF+AAA:POresponsernumber1' SCC+1'</p> <p>g) QTY+18:500' g) DTM+2:100222:101' SCC+1'</p> <p>h) QTY+18:1250' h) DTM+42:100301:101' i) QTY+21:1500' i) DTM+2:100301:101' UNS+S'</p> <p>5: BGM+231+POresponsernumber2+9' RFF+ON:POnumber1' LIN+1+6+ArticleB:VP::92' RFF+LI::93' RFF+PP:POchangenumber2' SCC+1'</p> <p>l) QTY+21:750' l) DTM+2:100208' m) QTY+113:750' m) DTM+67:100212' UNS+S'</p>	<p>2: BGM+231+POresponsernumber1+9' RFF+ON:POnumber1' LIN+1+6+ArticleA:VP::92' RFF+LI::75' SCC+1'</p> <p>a) QTY+21:500' a) DTM+2:940215:101' d) QTY+113:500' d) DTM+67:100222:101' SCC+1'</p> <p>e) QTY+113:1250' e) DTM+67:100301:101' f) LIN+2+5+ArticleB:VP::92' RFF+LI::93' UNS+S'</p> <p>4: BGM+230+POchangenumber2+9' RFF+ON:POnumber1' LIN+1+3+ArticleB:VP::92' RFF+LI::93' RFF+AAA:POresponsernumber1' SCC+1'</p> <p>j) QTY+18:750' j) DTM+42:100215:101' k) QTY+21:750' k) DTM+2:100208:101' UNS+S'</p> <p>6: BGM+231+POresponsernumber3+9' RFF+ON:POnumber1' LIN+1+6+ArticleA:VP::92' RFF+LI::75' RFF+PP:POchangenumber1' SCC+1'</p> <p>n) QTY+21:500' n) DTM+2:100222:101' o) QTY+113:450' o) DTM+67:1040222:101' o) QTY+113:50' o) DTM+67:100228:101' SCC+1'</p> <p>p) QTY+113:1500' p) DTM+67:100301:101' LIN+1+5+ArticleB:VP::92' RFF+LI::93' RFF+PP:POchangenumber2' UNS+S'</p>
---	--

The following principles set out in the EDIFICE FUNCTIONAL DEFINITION apply:

In any subsequent message to the original Purchase Order, SG56 should contain:

- * the scheduling conditions (QTY/DTM) as it was BEFORE the now transmitted message
- ** the new proposed/requested scheduling conditions

- "*" is always retrieved from the preceding message for the line item in question.
- The preceding message for the line item is always referenced in the RFF segment in SG34.
- The original Purchase Order for the line item is always referenced in the RFF segment in SG1.
- If no preceding message exists other than the original Purchase Order, there will be no reference in SG34 except for the line number reference. If this is the case, it is from the original Purchase Order situation "*" should be retrieved.

1: Buyer sends ORDERS for lines 75 and 93

The original Purchase Order references the business/commercial agreement at header level and the line number for each individual item being ordered at detail level. The scheduling conditions, ordered quantity and requested delivery date, are marked with a), b) and c).

2: Seller sends ORDRSP for lines 75 and 93

The Purchase Order Response references the original Purchase Order at header level and the line number for each individual item being responded to at detail level.

Since the Purchase Order Response is a subsequent message to the original Purchase Order, the principles set out in the EDIFICE FUNCTIONAL DEFINITION apply. This is the first message transmitted subsequent to the original Purchase Order, i.e. no other preceding message exists for any of the line items involved, which means that "the scheduling conditions (QTY/DTM) as it was BEFORE the now transmitted message" ("*") is retrieved from the referenced original Purchase Order for both line 75 and 93 and is immediately followed by the new proposed scheduling conditions:

- Line number 75, first schedule
 - a) shows "the scheduling conditions (QTY/DTM) as it was BEFORE the now transmitted message" ("*"). It has been retrieved from the original Purchase Order (where it is also marked "a").
 - d) shows "the new proposed/requested scheduling conditions" by the seller.
- Line number 75, second schedule
 - When the 'requested' schedule is accepted by the seller or if the schedule is transmitted for positioning purposes, only "***" is required to be transmitted (see section Remarks, SG55 in the ORDRSP documentation). When this is the case, it is understood that "the scheduling conditions (QTY/DTM) as it was BEFORE the now transmitted message" is identical with "the new proposed/requested scheduling conditions". The scheduling conditions "e)" is in other words the new situation as proposed by the seller. It is however identical to what was requested by the buyer in b).
- Line number 93, all schedules.
 - The action request code states acceptance without amendment signifying that no part of the detail section, except for the RFF segments carrying the references to line number and preceding Purchase Order Change Request (if any) for the line item, needs to be transmitted (see section Remarks, SG32 in the ORDRSP documentation). It is understood that the requested schedule "c)" of the original Purchase Order is accepted by the seller.

3: Buyer sends ORDCHG for line 75

The Purchase Order Change Request references the original Purchase Order at header level. At detail level, the line number and the preceding message for the line item involved are referenced.

Since the Purchase Order Change Request is a subsequent message to the original Purchase Order, the principles set out in the EDIFICE FUNCTIONAL DEFINITION apply. Accordingly, this Purchase Order Change Request is issued to propose amendments to the Purchase Order Response received for the line item in question:

- Line number 75, first schedule.
 - The schedule is transmitted for positioning purposes (see section Remarks, SG54 in the ORDCHG documentation). It is understood that situation "*" in the EDIFICE FUNCTIONAL DEFINITION is identical with "***" in this case. Situation "*" is retrieved from POresponsernumber1, as indicated by the reference at detail level. Thus, the scheduling conditions "g)" represents the new situation as requested by the buyer. It is identical to the scheduling conditions "d)" as proposed by the seller in POresponsernumber1.
- Line number 75, second schedule
 - h) shows "the scheduling conditions (QTY/DTM) as it was BEFORE the now transmitted message" ("*"). It has been retrieved from POresponsernumber1, "e)", in accordance with the reference to the preceding message at detail level.
 - i) shows "the new proposed/requested scheduling conditions", i.e. the new requested situation by the buyer.

4: Buyer sends ORDCHG for line 93

The Purchase Order Change Request references the original Purchase Order at header level. At detail level, the line number and the preceding message for the line item involved are referenced.

Since the Purchase Order Change Request is a subsequent message to the original Purchase Order, the principles set out in the EDIFICE FUNCTIONAL DEFINITION apply.

- Line number 93.
 - j) shows situation "*". It has been retrieved from POresponsernumber1, in accordance with the reference to the preceding message at detail level. It is understood that the situation reflected in "j)" has not changed after the first appearance of these scheduling conditions in the original Purchase Order as "c)", since POresponsernumber1 accepted "c)" without amendments.
 - k) shows situation "***", i.e. the new requested situation by the buyer.

5: Seller sends ORDRSP for line 93

The Purchase Order Response references the original Purchase Order at header level. At detail level, the line number and the last received message, i.e. the last received Purchase Order Change Request, for the line item involved are referenced.

Since the Purchase Order Response is a subsequent message to the original Purchase Order, the principles set out in the EDIFICE FUNCTIONAL DEFINITION apply.

- Line number 93.

The preceding message for this line number is POchangenernumber2, as indicated in one of the RFF segments at detail level. Thus, it is the requested situation of POchangenernumber2 for line number 93 that will be responded to in this response and from which "*" will be retrieved

 - l) shows situation "*". It corresponds to "the new proposed/requested scheduling conditions" in the preceding message, i.e. in POchangenernumber2, which is "k)".
 - m) shows "the new proposed/requested scheduling conditions" by the seller.

6: Seller sends ORDRSP for lines 75 and 93

The Purchase Order Response references the original Purchase Order at header level. At detail level, the line number and the last received message, i.e. the last received Purchase Order Change Request, for the line item involved are referenced. Note that the two line items reference different Purchase Order Change Requests this time.

Since the Purchase Order Response is a subsequent message to the original Purchase Order, the principles set out in the EDIFICE FUNCTIONAL DEFINITION apply.

- Line number 75, first schedule

The preceding message for this line number is POchangenernumber 1, which is referenced in the RFF segment at detail level.

 - n) shows situation "*". It corresponds to "the new proposed/requested scheduling conditions" in the preceding message, i.e. in POchangenernumber1, which is "g)".
 - o) shows "the new proposed/requested scheduling conditions" by the seller. In this case, it is a 'split' situation (see section Remarks, SG54 in the ORDRSP documentation).
- Line number 75, second schedule
 - p) indicates that the schedule requested by the buyer in POchangenernumber1 has been fully accepted by the seller.
- Line number 93.

Note that this is the second response in a row for line 93. The preceding message to reference for the seller is still the last received Purchase Order Change Request for the line item, since a Purchase Order Response always is sent in response to the last received message from the buyer.

The action request code states acceptance without amendment signifying that no part of the detail section, except for the RFF segments carrying the references to line number and preceding Purchase Order Change Request for the line item, needs to be transmitted (see section Remarks, SG32 in the ORDRSP documentation). The implication is that the requested schedule k) in the Purchase Order Change Request with document number "POchangenernumber2" now has been fully accepted by the seller.

General remarks

The mechanism regarding references and scheduling conditions caters for:

- Single line item ORDERS being responded to by single line item ORDRSP's and amended by single line item ORDCHG's.
- Multiple line item ORDERS being responded to by multiple line item ORDRSP's and amended by multiple line item ORDCHG's.
- As each line item has its own life cycle, any subsequent message to the original Purchase Order may act on the different line items independently (see message 6: in the example above).
 - * an ORDRSP may respond to line items retrieved from one or more ORDCHGs or from the ORDERS message or from a combination of the two.
 - * an ORDCHG may request amendments to line items retrieved from different previously received ORDRSP's
 - * etc.

Note that the principle applied on all occasions is that any subsequent message to the original Purchase Order must reference the preceding message for the line item in question, this is being done by means of the RFF segment in SG34.