



The European B2B Forum for the Electronics Industry

EDIFICE Message Implementation Guideline

Sales Report Message

SLSRPT Issue EDSL07

Endorsed 31 May 2006

Based on UN/EDIFACT D.97A SLSRPT Message

Copyright ©EDIFICE 2006

All rights reserved. No part of this publication may be reproduced or transmitted in any form or by any means without prior permission of EDIFICE.

Notwithstanding the fact that the utmost care has been observed in the collecting, drawing up and formulating of data, EDIFICE can under no circumstances be held liable for errors, omissions or misinterpretations as a result of the information compiled in the guidelines.

EDIFICE
The European B2B Forum for the Electronics Industry
EDIFICE secretariat
Dora Cresens
Tiensestraat 2
B-3320 Hoegaarden
Belgium
Tel: +32 16 76 54 40
Fax: +32 16 76 53 58
Email: Dora.Cresens@edifice.org

TABLE OF CONTENTS

<u>TITLE</u>	<u>PAGE</u>
COMPARISON TO PREVIOUS ISSUES	3
EDIFICE FUNCTIONAL DEFINITION	4
REFERENCES:	6
EXPLANATORY NOTES	6
MESSAGE STRUCTURE CHART	7
BRANCHING DIAGRAM	8
SEGMENT GROUPS/SEGMENTS DESCRIPTION	10
UNH MESSAGE HEADER	13
BGM BEGINNING OF MESSAGE	14
DTM DATE/TIME/PERIOD	15
SG1 - NAD NAME AND ADDRESS	16
SG4 - CUX CURRENCIES	17
SG13 - DOC DOCUMENT/MESSAGE DETAILS	18
SG13 - NAD NAME AND ADDRESS	19
SG14 - LIN LINE ITEM	20
SG14 - PIA ADDITIONAL PRODUCT ID	21
SG14 - QTY QUANTITY	22
SG14 - CUX CURRENCIES	23
SG14 - PRI PRICE DETAILS	24
SG14 - MOA MONETARY AMOUNT	25
SG15 - RFF REFERENCE	26
SG15 - DTM DATE/TIME/PERIOD	27
SG16 - NAD NAME AND ADDRESS	28
UNT MESSAGE TRAILER	29
EXAMPLES	30 - 32

COMPARISON TO PREVIOUS ISSUE

Issue EDSL06 of 1 June 2005: Issue EDSL07 of 31 May 2006:

- Addition of Ship-to Address specification and related UN/EDIFACT code

- Change SG13-NAD from R1 to R..5
- Add the UN/EDIFACT qualifier "ST = Ship-To Customer" to 3035 Party Qualifier

- Upgrade to UN/EDIFACT Code list D.04B

EDIFICE code changes applied to the MIG. These EDIFICE codes will be submitted to UN/CEFACT for inclusion in the UN/EDIFACT standard.

SG14 - LIN - DE 1229

'30' Resale & Claim replaced with '113' Resale & Claim

'31' Resale only replaced with '114' Resale only

Correction of the examples according to the code changes.

12 May 2004 : EDIFIX 5.0 Technical Upgrade

- The 'KMT' qualifier in SEG QTY and PRI DE 6411 is now defined as (*) EDIFICE code. UN/ECE Recommendation 20 specifies 'KTM' as qualifier for 'kilometre'.

Issue EDSL05 of 03 November: The change applied does not affect the functionality of the message.

- UNH segment, DE 0057 Association assigned code was changed from EDSR04 to EDSL05 conform the rules described in the EDIFICE Utilisation of the UN/EDIFACT Service Segments EDSS04.

21 May 2003 :

- EDIFICE Utilisation for SG14 CUX DE 6347; SG14 MOA DE 5025; SG15 RFF C506: changed from 'R' to 'M' according to UN/EDIFACT specifications – this does not affect the functionality of the message.

- EDIFIX 4.2 Technical upgrade; review and correction of examples

Issue EDSR04 of 13 November 2002 is based on UN/EDIFACT D97.A / Code List D01.A

- Addition of the following code values:

- o SG14, LIN segment, CO C212, DE 7143 code 'SRV' EAN.UCC Global Trade Item Number
- o SG14, PIA segment, CO C212, DE 7143 code 'SRV' EAN.UCC Global Trade Item Number
- o SG15, RFF segment, CO C506, DE 1153 code 'DW' Design Win
'IV' Invoice number

Issue EDSR03 of 29 May 2002 – addition of recommended set of DTM qualifiers

Issue EDSR03 : Changes compared to Issue EDSR02 of the Sales Report Message endorsed 18 November 1998

- SG14 - PRI In order to provide for the Automated price protection cycles - SAP/DRM requirement

Add qualifiers 'CON' = Contract Price and 'DIS' = Distributor price in DE 5387 Price type qualifier with usage = O

Changes compared to Issue EDSR01 of the Sales Report Message endorsed on 4 March 1998:

- SG15 - RFF occurrence has been changed from M..6 to M1 conform the UN/EDIFACT message design rules.

SLSRPT issue EDSR01 compared to the EDIFICE Resale Report document, Issue 1, endorsed on 29 November 1991

- New message structure/looping to support efficient processing by the removal of redundant NAD data (through the introduction of a DOC segment),

- Provision to support the reporting of discrete resale data only or the reporting of combined resale & claim data,

- Provision to support an intermediate end customer,

- Provision to support visibility of financial adjustments,

- Provision to support visibility of A to B transfers,
- Recast from the 90.1 version of the UN/EDIFACT directory to the D.97A version,
- Where UN/ECE Recommendations are referenced the most commonly used codes have been identified,
- Alignment of segments and composite data elements to ensure conformance (data harmonization) across all EDIFICE Implementation Guidelines,
- Update of the REFERENCES and EXPLANATORY NOTES sections to comply with the EDIFICE Standards for Documentation of Message Implementation Guidelines, Issue 3,
- Update of examples,
- Documentation adjustments resulting from the use of GEFEG's EdiFix Message Implementation Guidelines documentation tool,
- Correction of typographical errors.

EDIFICE FUNCTIONAL DEFINITION

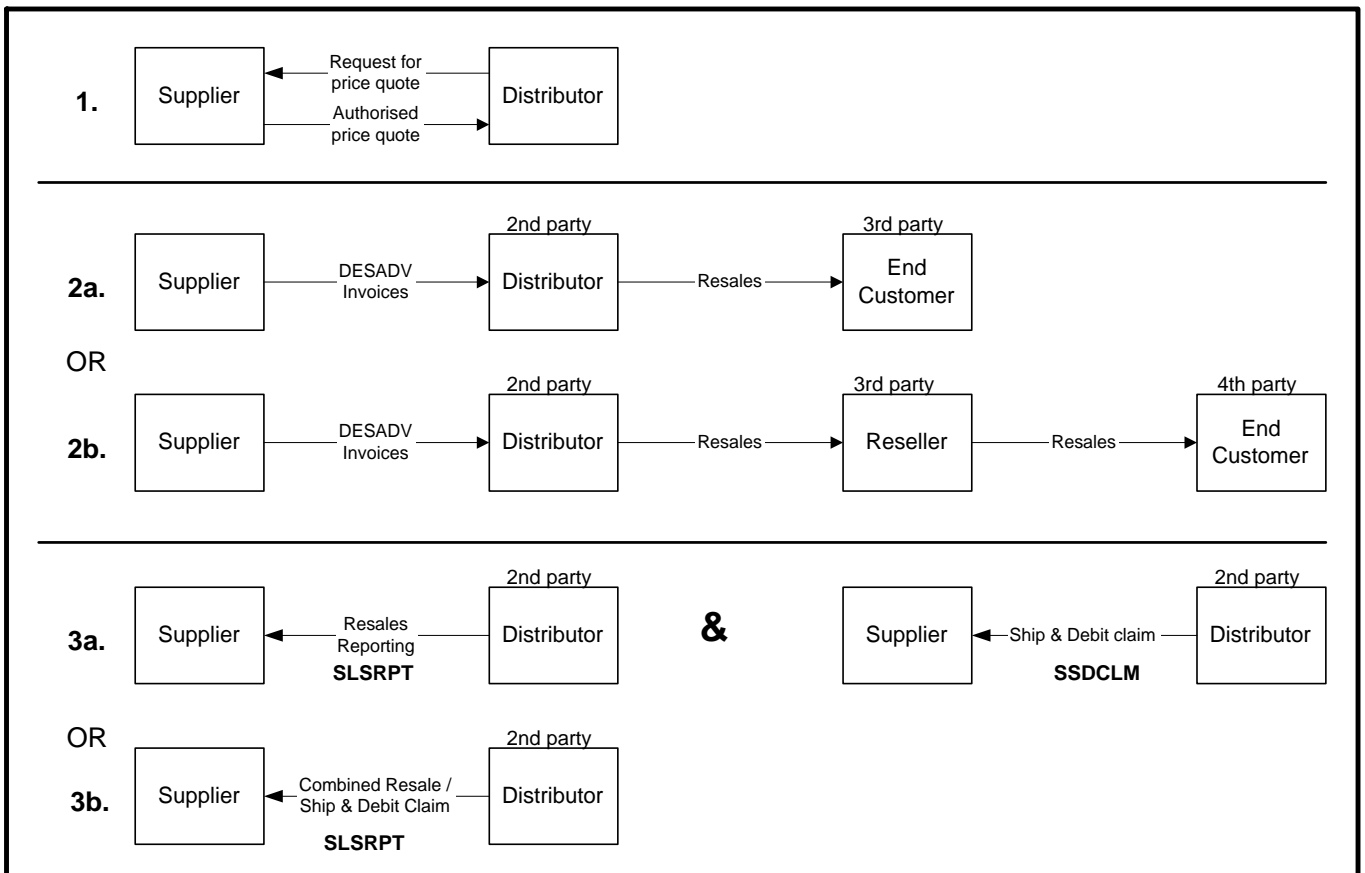
Compliance with UN/EDIFACT SLSRPT

The header section of the EDIFICE SLSRPT message is fully compliant with the corresponding section of the UN/EDIFACT SLSRPT message.

The detail section, SG13 however, must be seen as a third option, mutually exclusive with the present SG5 and SG9 functionality. EDIFICE will raise a DMR in order to have its specific requirements included in a future issue of the UN/EDIFACT SLSRPT message.

The SLSRPT message is designed to facilitate the provision of information between a manufacturer's agent (commonly referred to as a distributor) and the manufacturer (commonly referred to as a supplier) to identify those of the supplier's products (and supporting related data) which have been sold onto or credited to a third/fourth party end customer during specified time periods.

The diagrams below detail the business flow common to the supplier/distributor environment within the Electronic Components Industry:



The SLSRPT message supports Points **3a.** and **3b.** of the business flow above and is designed to transport information related to uniquely identified products. This information comprises but is not limited to:

- Product information,
- Activity periods,
- Resale, pricing and monetary information,
- Seller, buyer and end customer information.

The following details common business practices adopted within the supplier/distributor environment. They can all be captured and supported by the SLSRPT message:

"End Customer"

Visibility of the sales chain is typically restricted to the third party end customer; however there may be instances where name and address related data only is required of the fourth party end customer.

"Ship & Debit"

The distributor will hold inventory of the supplier's products (purchased by the distributor at a fixed price). Where the distributor's "planned" margin (profit on the Resale) is not achieved, the supplier may give a dispensation to the distributor for that price and support the distributor's margin via a pre-approved price quote (at time of invoicing by the distributor to the end customer).

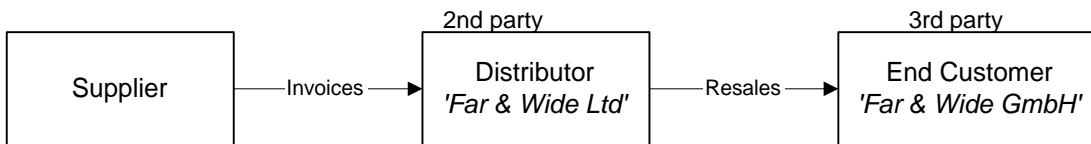
In these situations the distributor may then subsequently claim for the price delta between the supplier's invoiced price (fixed) and the supplier's previously authorised price quote.

The SLSRPT message may be used to support the above described "Ship & Debit" claim process BUT only where the claim is combined with the resale activity. This is managed by the provision of additional related data. The utilisation of the combined SLSRPT (resale & claim) message or the discrete SLSRPT (resale only) message and SSDCLM (claim only) message is mutually agreed between trading partners.

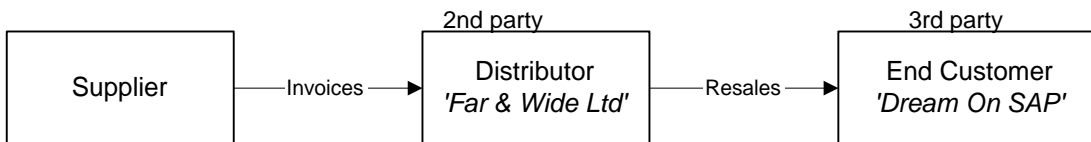
"A to B Transfers"

When a supplier is unable to fulfil a distributor's purchase order request (for immediate shipment) but another franchised distributor of that same supplier has free stock of the required product available on his shelf, an A to B transfer will be affected. The resulting data within the SLSRPT message will be used by the supplier to track intra-distributor and inter-distributor product movement and to make appropriate in-house adjustments.

Intra: ("Far & Wide" [distributor] in the UK sells onto "Far & Wide" [distributor] in Germany.



Inter: ("Far & Wide" [distributor] in the UK sells onto "Dream On" [distributor] in Italy.



"Financial Adjustments"

There are instances where the distributor may debit or credit his end customer with no physical shipment or return of product involved. In these situations the distributor is required to report monetary values as opposed to unit quantities.

REFERENCES

Refer to the document : Reference list for the EDIFICE message guidelines – Issue 1

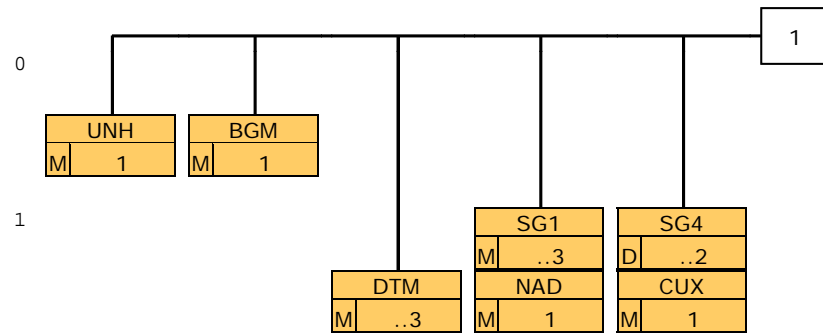
EXPLANATORY NOTES

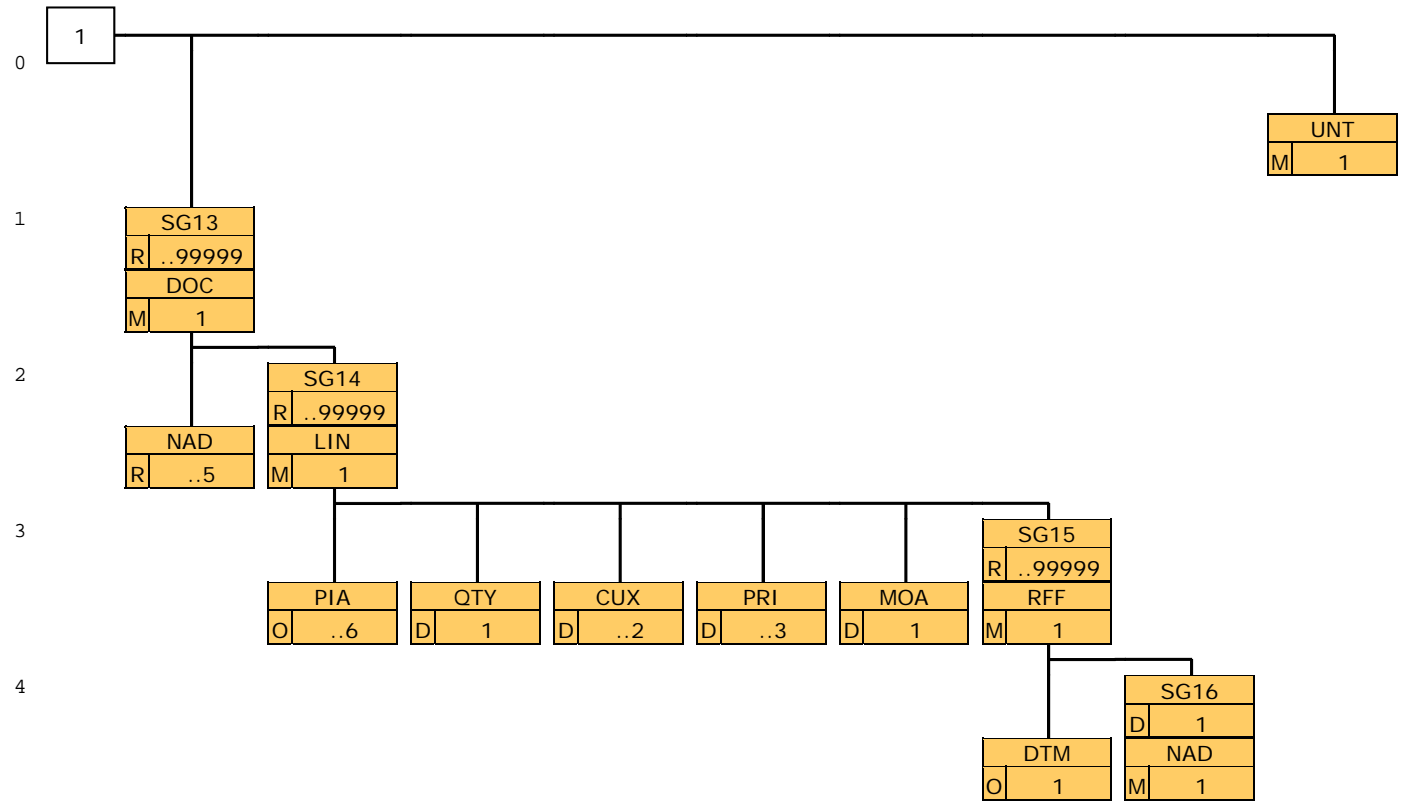
Refer to the document : Explanatory notes for the EDIFICE message guidelines – Issue 1

MESSAGE STRUCTURE CHART

	UNH	MESSAGE HEADER	M1
	BGM	BEGINNING OF MESSAGE	M1
	DTM	DATE/TIME/PERIOD	M..3
┌──	SG1		M..3
└──	NAD	NAME AND ADDRESS	M1
┌──	SG4		D..2
└──	CUX	CURRENCIES	M1
┌──	SG13		R..99999
└──	DOC	DOCUMENT/MESSAGE DETAILS	M1
	NAD	NAME AND ADDRESS	R..5
┌──	SG14		R..99999
└──	LIN	LINE ITEM	M1
	PIA	ADDITIONAL PRODUCT ID	O..6
	QTY	QUANTITY	D1
	CUX	CURRENCIES	D..2
	PRI	PRICE DETAILS	D..3
	MOA	MONETARY AMOUNT	D1
┌──	SG15		R..99999
└──	RFF	REFERENCE	M1
	DTM	DATE/TIME/PERIOD	O1
┌──	SG16		D1
└──	NAD	NAME AND ADDRESS	M1
	UNT	MESSAGE TRAILER	M1

BRANCHING DIAGRAM





SEGMENT GROUPS/SEGMENTS DESCRIPTION

UNH MESSAGE HEADER

Function: A service segment heading, and uniquely identifying the message.
Usage: M1

BGM BEGINNING OF MESSAGE

Function: A segment uniquely identifying the message by means of its coded name, number and function.
Usage: M1

DTM DATE/TIME/PERIOD

Function: A segment specifying the date/time of creation of the message, and other dates relevant to the whole message.
Usage: M..3

SG1 NAD

Function: A group of segments identifying the parties involved.
Usage: M..3
Notes: The NAD segments identifying the buyer and seller must be present.

NAD NAME AND ADDRESS

Function: A segment identifying the function and coded identification, name and address of a party involved.
Usage: M1

SG4 CUX

Function: A group of segments specifying the currencies, valid for the whole report.
Usage: D..2
Notes: One CUX segment specifying the invoicing currency should be present either at header level or detail level. If given at detail level, it must not appear here.

CUX CURRENCIES

Function: A segment specifying a currency for all prices and amounts.
Usage: M1

SG13 DOC-NAD-SG14

Function: A group of segments providing transaction details of the documents within the message. Transactions can be a result of movement of goods or financial adjustments.
Usage: R..99999

Notes: The following matrix defines how the four different business scenarios should be accommodated within the SLSRPT message:

	DOC	QTY	PRI	MOA
Debit; financial adjustment only (Distributor bills ultimate or intermediate customer; no physical product movement)	'80'	N	N	R
Credit; financial adjustment only (Distributor credits ultimate or intermediate customer; no physical product movement)	'381'	N	N	R
Invoice (Distributor bills ultimate or intermediate customer; physical product movement)	'380'	R	R	N
Credit (Distributor credits ultimate or intermediate customer; physical product movement)	'381'	R	R	N

DOC DOCUMENT/MESSAGE DETAILS

Function: A segment specifying a document relative to the transaction.
Usage: M1

NAD NAME AND ADDRESS

Function: A segment identifying the third party with whom the transaction was made.
Usage: R..5

SG14 LIN-PIA-QTY-CUX-PRI-MOA-SG15

Function: A group of segments providing details of the individual line items of the specified document.
Usage: R..99999
Notes: The PRI and QTY segments must be specified when the transaction refers to a physical movement of goods.
The MOA segment will only occur when the transaction is a financial adjustment.
The use of segments QTY, PRI and MOA is as specified in the matrix in the notes of SG13.
One CUX segment specifying the invoicing currency should be present either at header level or detail level.
If given at header level, it must not appear here.

LIN LINE ITEM

Function: A segment identifying a line item by its item number, and agreed to be the primary reference number between the buyer and seller.
The segment also carries a sequence number assigned to the line item within the message.
Usage: M1

PIA ADDITIONAL PRODUCT ID

Function: A segment providing additional identification numbers for the line item.
Usage: O..6

QTY QUANTITY

Function: A segment specifying the quantity for the line item.
Usage: D1

CUX CURRENCIES

Function: A segment specifying the currency of the specified document.
Usage: D..2

PRI PRICE DETAILS

Function: A segment specifying the line item price and qualifying information.
Usage: D..3

MOA MONETARY AMOUNT

Function: A segment specifying the monetary amount related to the line item.
Usage: D 1

SG15 RFF-DTM-SG16

Function: A group of segments specifying references for the line item.
Usage: R..99999
Notes: SG16 is only used to specify the ultimate party if different from the third party.

RFF REFERENCE

Function: A segment specifying a document reference number.
Usage: M 1

DTM DATE/TIME/PERIOD

Function: A segment specifying the date/time of the reference document.
Usage: O 1

SG16 NAD

Function: A group of segments identifying the ultimate parties related to the transaction.
Usage: D 1
Notes:

NAD NAME AND ADDRESS

Function: A segment identifying the function and coded identification, name and address of the ultimate party involved.
Usage: M 1

UNT MESSAGE TRAILER

Function: A service segment ending, and providing information for checking the completeness of a message.
Usage: M 1

SEGMENT DETAILS

UNH

UNH MESSAGE HEADER

Function: A service segment heading, and uniquely identifying the message.

Usage : M1

Notes : Refer to EDIFICE Utilisation of the UN/EDIFACT Service Segments, Issue EDSS04

Ref.	Rep.	Name		EDIFICE Utilisation
0062	an..14	M MESSAGE REFERENCE NUMBER	M	Transmission message count from 1
S009		M MESSAGE IDENTIFIER	M	
0065	an..6	M Message type identifier	M	SLSRPT = Sales data report message
0052	an..3	M Message type version number	M	D = Draft version/UN/EDIFACT Directory
0054	an..3	M Message type release number	M	97A = Release 1997 - A
0051	an..2	M Controlling agency	M	ED = EDIFICE (Electronic industries project)
0057	an..6	C Association assigned code	R	EDSL07 = Sales report Message Issue EDSL07
0068	an..35	C COMMON ACCESS REFERENCE	N	
S010		C STATUS OF THE TRANSFER	N	
0070	n..2	M Sequence message transfer number	N	
0073	a1	C First/last sequence message transfer indication	N	

BGM BEGINNING OF MESSAGE

Function: A segment uniquely identifying the message by means of its coded name, number and function.

Usage : M1

Notes :

Ref.	Rep.	Name		EDIFICE Utilisation
C002		C DOCUMENT/MESSAGE NAME	R	
1001	an..3	C Document/message name, coded	R	RES = Resale information only (*) RAC = Resale information and ship from stock and debit claim information (*) (*) EDIFICE code
1131	an..3	C Code list qualifier	N	
3055	an..3	C Code list responsible agency, coded	N	
1000	an..35	C Document/message name	N	
C106		C DOCUMENT/MESSAGE IDENTIFICATION	R	
1004	an..35	C Document/message number	R	
1056	an..9	C Version	N	
1060	an..6	C Revision number	N	
1225	an..3	C MESSAGE FUNCTION, CODED	A	9 = Original
4343	an..3	C RESPONSE TYPE, CODED	N	

DTM DATE/TIME/PERIOD

Function: A segment specifying the date/time of creation of the message, and other dates relevant to the whole message.

Usage : M..3

Notes :

Ref.	Rep.	Name		EDIFICE Utilisation
C507		M DATE/TIME/PERIOD	M	
2005	an..3	M Date/time/period qualifier	M	90 = Report start date 91 = Report end date 137 = Document/message date/time Date when the document is created
2380	an..35	C Date/time/period	R	
2379	an..3	C Date/time/period format qualifier	R	102 = CCYYMMDD 203 = CCYYMMDDHHMM 303 = CCYYMMDDHHMMZZZ ZZZ = Time zone 304 = CCYYMMDDHHMMSSZZZ ZZZ = Time zone X03 = CCYYMMDDHHMMZZZZZ (*) ZZZZZ = Time zone X04 = CCYYMMDDHHMMSSZZZZZ (*) ZZZZZ = Time zone (*) EDIFICE code

SG1 NAD

NAD NAME AND ADDRESS

Function: A segment identifying the function and coded identification, name and address of a party involved.

Usage : M1

Notes : It is advised that the party identification CO C082 be used. When CO C082 cannot be used it is recommended to use the structured name and address CO C080 through DE 3207 rather than the unstructured one CO C058.

Ref.	Rep.	Name		EDIFICE Utilisation
3035	an..3	M PARTY QUALIFIER	M	BY = Buyer DP = Delivery party SE = Seller 9 = EAN (International Article Numbering association) 16 = DUNS (Dun & Bradstreet) 91 = Assigned by seller or seller's agent 92 = Assigned by buyer or buyer's agent
C082		C PARTY IDENTIFICATION DETAILS	A	
3039	an..35	M Party id. identification	M	
1131	an..3	C Code list qualifier	N	
3055	an..3	C Code list responsible agency, coded	R	
C058		C NAME AND ADDRESS	D	
3124	an..35	M Name and address line	M	
3124	an..35	C Name and address line	O	
3124	an..35	C Name and address line	O	
3124	an..35	C Name and address line	O	
3124	an..35	C Name and address line	O	
C080		C PARTY NAME	D	
3036	an..35	M Party name	M	
3036	an..35	C Party name	O	
3036	an..35	C Party name	O	
3036	an..35	C Party name	O	
3036	an..35	C Party name	O	
3045	an..3	C Party name format, coded	N	
C059		C STREET	D	
3042	an..35	M Street and number/p.o. box	M	
3042	an..35	C Street and number/p.o. box	O	
3042	an..35	C Street and number/p.o. box	O	
3042	an..35	C Street and number/p.o. box	O	
3164	an..35	C CITY NAME	D	
3229	an..9	C COUNTRY SUB-ENTITY IDENTIFICATION	D	
3251	an..9	C POSTCODE IDENTIFICATION	D	
3207	an..3	C COUNTRY, CODED	D	Use ISO 3166, 2 alpha code

SG4 CUX

CUX CURRENCIES

Function: A segment specifying a currency for all prices and amounts.

Usage : M1

Notes :

Ref.	Rep.	Name		EDIFICE Utilisation
C504		C CURRENCY DETAILS	R	
6347	an..3	M Currency details qualifier	M	2 = Reference currency
6345	an..3	C Currency, coded	R	Use ISO 4217, 3 alpha code
6343	an..3	C Currency qualifier	R	4 = Invoicing currency
				Distributor to end-customer currency
				9 = Order currency
6348	n..4	C Currency rate base	N	Supplier to distributor currency
C504		C CURRENCY DETAILS	N	
6347	an..3	M Currency details qualifier	N	
6345	an..3	C Currency, coded	N	
6343	an..3	C Currency qualifier	N	
6348	n..4	C Currency rate base	N	
5402	n..12	C RATE OF EXCHANGE	N	
6341	an..3	C CURRENCY MARKET EXCHANGE, CODED	N	

SG13 DOC-NAD-SG14

DOC DOCUMENT/MESSAGE DETAILS

Function: A segment specifying a document relative to the transaction.

Usage : M1

Notes :

Ref.	Rep.	Name		EDIFICE Utilisation
C002		DOCUMENT/MESSAGE NAME	M	
1001	an..3	Document/message name, coded	R	80 = Debit note 380 = Invoice 381 = Credit note
1131	an..3	Code list qualifier	N	
3055	an..3	Code list responsible agency, coded	N	
1000	an..35	Document/message name	N	
C503		DOCUMENT/MESSAGE DETAILS	N	
1004	an..35	Document/message number	N	
1373	an..3	Document/message status, coded	N	
1366	an..35	Document/message source	N	
3453	an..3	Language, coded	N	
3153	an..3	COMMUNICATION CHANNEL IDENTIFIER, CODED	N	
1220	n..2	NUMBER OF COPIES OF DOCUMENT REQUIRED	N	
1218	n..2	NUMBER OF ORIGINALS OF DOCUMENT REQUIRED	N	

SG13 DOC-NAD-SG14

NAD NAME AND ADDRESS

Function: A segment identifying the third party with whom the transaction was made.

Usage : R..5

Notes : The third party is usually the ultimate customer but in some cases, this party specifies an intermediate party. In this case DE 3035 = 'IK' and SG16 containing the ultimate party identification must be present. It is advised that the party identification CO C082 be used. When CO C082 cannot be used it is recommended to use the structured name and address CO C080 through DE 3207 rather than the unstructured one CO C058.

Ref.	Rep.	Name		EDIFICE Utilisation
3035	an..3	M PARTY QUALIFIER	M	PC = Actual purchaser's customer AD = Intra-distributor movement (*) IK = Intermediate customer (*) RD = Inter-distributor movement (*) ST = Ship to Identification of the party to where goods will be or have been shipped. (*) EDIFICE code
C082		C PARTY IDENTIFICATION DETAILS	A	
3039	an..35	M Party id. identification	M	
1131	an..3	C Code list qualifier	N	
3055	an..3	C Code list responsible agency, coded	R	9 = EAN (International Article Numbering association) 16 = DUNS (Dun & Bradstreet) 91 = Assigned by seller or seller's agent 92 = Assigned by buyer or buyer's agent
C058		C NAME AND ADDRESS	D	
3124	an..35	M Name and address line	M	
3124	an..35	C Name and address line	O	
3124	an..35	C Name and address line	O	
3124	an..35	C Name and address line	O	
3124	an..35	C Name and address line	O	
C080		C PARTY NAME	D	
3036	an..35	M Party name	M	
3036	an..35	C Party name	O	
3036	an..35	C Party name	O	
3036	an..35	C Party name	O	
3036	an..35	C Party name	O	
3045	an..3	C Party name format, coded	N	
C059		C STREET	D	
3042	an..35	M Street and number/p.o. box	M	
3042	an..35	C Street and number/p.o. box	O	
3042	an..35	C Street and number/p.o. box	O	
3042	an..35	C Street and number/p.o. box	O	
3164	an..35	C CITY NAME	D	
3229	an..9	C COUNTRY SUB-ENTITY IDENTIFICATION	D	
3251	an..9	C POSTCODE IDENTIFICATION	D	
3207	an..3	C COUNTRY, CODED	D	Use ISO 3166, 2 alpha code

SG14 LIN-PIA-QTY-CUX-PRI-MOA-SG15

LIN LINE ITEM

Function: A segment identifying a line item by its item number, and agreed to be the primary reference number between the buyer and seller.

The segment also carries a sequence number assigned to the line item within the message.

Usage : M1

Notes :

Ref.	Rep.	Name	EDIFICE Utilisation
1082	an..6	C LINE ITEM NUMBER	R It is required to assign a number to the line items within a message. The number is assigned by the sender of the message. The first line item within a message will be numbered 1 and further line items will be incremented by 1 for each new line.
1229	an..3	C ACTION REQUEST/NOTIFICATION, CODED	R 113 = Resale and claim (*) 114 = Resale only (*) (*) EDIFICE code
C829		C ITEM NUMBER IDENTIFICATION	R
7140	an..35	C Item number	R Primary reference
7143	an..3	C Item number type, coded	R BP = Buyer's part number EN = International Article Numbering Association (EAN) SRV = EAN.UCC Global Trade Item Number UP = UPC (Universal product code) VP = Vendor's (seller's) part number
1131	an..3	C Code list qualifier	N
3055	an..3	C Code list responsible agency, coded	R 9 = EAN (International Article Numbering association) 91 = Assigned by seller or seller's agent 92 = Assigned by buyer or buyer's agent 113 = US, UCC (Uniform Code Council)
C829		C SUB-LINE INFORMATION	N
5495	an..3	C Sub-line indicator, coded	N
1082	an..6	C Line item number	N
1222	n..2	C CONFIGURATION LEVEL	N
7083	an..3	C CONFIGURATION, CODED	N

SG14 LIN-PIA-QTY-CUX-PRI-MOA-SG15**PIA ADDITIONAL PRODUCT ID**

Function: A segment providing additional identification numbers for the line item.

Usage : O..6

Notes : The 5 internal repetitions of CO C212 may be used, but EDIFICE recommends to only use the first occurrence.

Ref.	Rep.	Name		EDIFICE Utilisation
4347	an..3	M PRODUCT ID. FUNCTION QUALIFIER	M	1 = Additional identification BP = Buyer's part number CV = Customs article number EN = International Article Numbering Association (EAN) SRV = EAN.UCC Global Trade Item Number UP = UPC (Universal product code) VP = Vendor's (seller's) part number 9 = EAN (International Article Numbering association) 91 = Assigned by seller or seller's agent 92 = Assigned by buyer or buyer's agent 113 = US, UCC (Uniform Code Council) As for first CO C212
C212		M ITEM NUMBER IDENTIFICATION	M	
7140	an..35	C Item number	R	
7143	an..3	C Item number type, coded	R	
1131	an..3	C Code list qualifier	N	
3055	an..3	C Code list responsible agency, coded	R	
C212		C ITEM NUMBER IDENTIFICATION	O	
7140	an..35	C Item number	R	
7143	an..3	C Item number type, coded	R	
1131	an..3	C Code list qualifier	N	
3055	an..3	C Code list responsible agency, coded	R	
C212		C ITEM NUMBER IDENTIFICATION	O	
7140	an..35	C Item number	R	
7143	an..3	C Item number type, coded	R	
1131	an..3	C Code list qualifier	N	
3055	an..3	C Code list responsible agency, coded	R	
C212		C ITEM NUMBER IDENTIFICATION	O	
7140	an..35	C Item number	R	
7143	an..3	C Item number type, coded	R	
1131	an..3	C Code list qualifier	N	
3055	an..3	C Code list responsible agency, coded	R	
C212		C ITEM NUMBER IDENTIFICATION	O	
7140	an..35	C Item number	R	
7143	an..3	C Item number type, coded	R	
1131	an..3	C Code list qualifier	N	
3055	an..3	C Code list responsible agency, coded	R	

SG14 LIN-PIA-QTY-CUX-PRI-MOA-SG15

QTY QUANTITY

Function: A segment specifying the quantity for the line item.

Usage : D1

Notes :

Ref.	Rep.	Name	EDIFICE Utilisation
C186		M QUANTITY DETAILS	M
6063	an..3	M Quantity qualifier	M
6060	n..15	M Quantity	M
6411	an..3	C Measure unit qualifier	R
			1 = Discrete quantity Use the following codes from UN/ECE Recommendation no.20, Codes for Units of Measurement: CLT = centilitre CMT = centimetre GRM = gram KGM = kilogram KMT = kilometre (*) LTR = litre MGM = milligram MMT = millimetre MTK = square metre MTQ = cubic metre MTR = metre PCE = piece (*) (*) EDIFICE code, not included in UN/ECE Recommendation No, 20 Other codes should be previously agreed between trading partners.

SG14 LIN-PIA-QTY-CUX-PRI-MOA-SG15

CUX CURRENCIES

Function: A segment specifying the currency of the specified document.

Usage : D..2

Notes :

Ref.	Rep.	Name		EDIFICE Utilisation
C504		C CURRENCY DETAILS	M	
6347	an..3	M Currency details qualifier	R	2 = Reference currency
6345	an..3	C Currency, coded	R	Use ISO 4217, 3 alpha code
6343	an..3	C Currency qualifier	R	4 = Invoicing currency Distributor to end-customer currency 9 = Order currency Supplier to distributor currency
6348	n..4	C Currency rate base	N	
C504		C CURRENCY DETAILS	N	
6347	an..3	M Currency details qualifier	N	
6345	an..3	C Currency, coded	N	
6343	an..3	C Currency qualifier	N	
6348	n..4	C Currency rate base	N	
5402	n..12	C RATE OF EXCHANGE	N	
6341	an..3	C CURRENCY MARKET EXCHANGE, CODED	N	

SG14 LIN-PIA-QTY-CUX-PRI-MOA-SG15

PRI PRICE DETAILS

Function: A segment specifying the line item price and qualifying information.

Usage : D..3

Notes : Catalogue price and new buy price are specified with the order currency. Resale price is specified with the invoicing currency.

Ref.	Rep.	Name	EDIFICE Utilisation
C509		C PRICE INFORMATION	R
5125	an..3	M Price qualifier	M
5118	n..15	C Price	R
5375	an..3	C Price type, coded	R
			AAA = Calculation net CA = Catalogue Stocking price used between the buyer and seller. NBP = New buy price (*) Re-negotiated buy price between the buyer and the seller. RES = Resale price (*) Price used between the buyer and the end-customer in either an invoice or credit situation. (*) EDIFICE code
5387	an..3	C Price type qualifier	O
			CON = Contract price Basis contract cost DIS = Distributor price Distributor non-contract
5284	n..9	C Unit price basis	R
6411	an..3	C Measure unit qualifier	R
			Use the following codes from UN/ECE Recommendation no.20, Codes for Units of Measurement: CLT = centilitre CMT = centimetre GRM = gram KGM = kilogram KMT = kilometre (*) LTR = litre MGM = milligram MMT = millimetre MTK = square metre MTQ = cubic metre MTR = metre PCE = piece (*) (*) EDIFICE code, not included in UN/ECE Recommendation No. 20 Other codes should be previously agreed between trading partners.
5213	an..3	C SUB-LINE PRICE CHANGE, CODED	N

SG14 LIN-PIA-QTY-CUX-PRI-MOA-SG15

MOA MONETARY AMOUNT

Function: A segment specifying the monetary amount related to the line item.

Usage : D 1

Notes :

Ref.	Rep.	Name		EDIFICE Utilisation
C516		M MONETARY AMOUNT	M	
5025	an..3	M Monetary amount type qualifier	M	244 = Price adjustment amount
5004	n..18	C Monetary amount	R	
6345	an..3	C Currency, coded	N	
6343	an..3	C Currency qualifier	N	
4405	an..3	C Status, coded	N	

SG15 RFF-DTM-SG16

RFF REFERENCE

Function: A segment specifying a document reference number.

Usage : M1

Notes : If DE 1001 in BGM = 'RAC', then qualifiers 'AU' and 'DM' must be present.
If DE 1001 in BGM = 'RES', then qualifier 'DM' must be present.

Ref.	Rep.	Name		EDIFICE Utilisation
C506		M REFERENCE	M	
1153	an..3	M Reference qualifier	M	<p>ACD = Additional reference number DE 1154: (R) DE 1156: (O) AU = Authorization to meet competition No. Authorisation/quote number. DE 1154: Authorisation number (R) DE 1156: Authorisation line number (O) DCN = Distributor claim number (*) Debit note assigned by the distributor to be used by the supplier as reference to a claim line. (Not to be confused with the debit note at DOC level) DE 1154: Distributor claim number (O) DE 1156: Distributor claim line number (R) DM = Document number Used to specify the invoice, credit note or debit note. DE 1154: Invoice, credit note or debit note number (R) DE 1156: Invoice, credit note or debit note line number (R) DW = Design Win (*) IV = Invoice number To be used only if DE 1001 in DOC = '80' or '381' LI = Line item reference number Line item number that can be referenced in the Ship from Stock & Debit Response message. DE 1154: (N) DE 1156: Line item reference number (R) ON = Order number (purchase) Order number that specifies the back-to-back purchase order and purchase order line number. DE 1154: back-to-back PO number DE 1156: back-to-back PO line number (*) EDIFICE code</p>
1154	an..35	C Reference number	D	See DE 1153
1156	an..6	C Line number	D	See DE 1153
4000	an..35	C Reference version number	N	

SG15 RFF-DTM-SG16

DTM DATE/TIME/PERIOD

Function: A segment specifying the date/time of the reference document.

Usage : O1

Notes :

Ref.	Rep.	Name		EDIFICE Utilisation
C507		M DATE/TIME/PERIOD	M	
2005	an..3	M Date/time/period qualifier	M	171 = Reference date/time
2380	an..35	C Date/time/period	R	
2379	an..3	C Date/time/period format qualifier	R	102 = CCYYMMDD 203 = CCYYMMDDHHMM 303 = CCYYMMDDHHMMZZZ ZZZ = Time zone 304 = CCYYMMDDHHMMSSZZZ ZZZ = Time zone X03 = CCYYMMDDHHMMZZZZ (*) ZZZZZ = Time zone X04 = CCYYMMDDHHMMSSZZZZ (*) ZZZZZ = Time zone (*) EDIFICE code

SG16 NAD

NAD NAME AND ADDRESS

Function: A segment identifying the function and coded identification, name and address of the ultimate party involved.

Usage : M1

Notes : It is advised that the party identification CO C082 be used. When CO C082 cannot be used it is recommended to use the structured name and address CO C080 through DE 3207 rather than the unstructured one CO C058.

Ref.	Rep.	Name		EDIFICE Utilisation
3035	an..3	M PARTY QUALIFIER	M	MA = Party for whom item is ultimately intended Ultimate party identification 9 = EAN (International Article Numbering association) 16 = DUNS (Dun & Bradstreet) 91 = Assigned by seller or seller's agent 92 = Assigned by buyer or buyer's agent
C082		C PARTY IDENTIFICATION DETAILS	A	
3039	an..35	M Party id. identification	M	
1131	an..3	C Code list qualifier	N	
3055	an..3	C Code list responsible agency, coded	R	
C058		C NAME AND ADDRESS	D	
3124	an..35	M Name and address line	M	
3124	an..35	C Name and address line	O	
3124	an..35	C Name and address line	O	
3124	an..35	C Name and address line	O	
C080		C PARTY NAME	D	
3036	an..35	M Party name	M	
3036	an..35	C Party name	O	
3036	an..35	C Party name	O	
3036	an..35	C Party name	O	
3036	an..35	C Party name	O	
3045	an..3	C Party name format, coded	N	
C059		C STREET	D	
3042	an..35	M Street and number/p.o. box	M	
3042	an..35	C Street and number/p.o. box	O	
3042	an..35	C Street and number/p.o. box	O	
3042	an..35	C Street and number/p.o. box	O	
3164	an..35	C CITY NAME	D	
3229	an..9	C COUNTRY SUB-ENTITY IDENTIFICATION	D	
3251	an..9	C POSTCODE IDENTIFICATION	D	
3207	an..3	C COUNTRY, CODED	D	Use ISO 3166, 2 alpha code

UNT MESSAGE TRAILER

Function: A service segment ending, and providing information for checking the completeness of a message.

Usage : M1

Notes : Refer to EDIFICE Utilisation of the UN/EDIFACT Service Segments, Issue EDSS04.

Ref.	Rep.	Name	EDIFICE Utilisation	
0074	n..6	M NUMBER OF SEGMENTS IN A MESSAGE	M	Count of all segments in the message, UNH and UNT included.
0062	an..14	M MESSAGE REFERENCE NUMBER	M	Must be the same reference number as in DE 0062 of the UNH segment of this message.

EXAMPLES

Example 1

Resale Only (1 level of end customer; Manufacturer => Distributor => End Customer)

UNB+UNOC:3+123456789:1:X+987654321:1:X+021209:1909+88+X:AA+SLSRPT++1+X+1'
UNH+1+SLSRPT:D:97A:ED:EDSL07'
BGM+RES+SLSRPT1+9'
DTM+90:19971201:102'
DTM+91:19981231:102'
DTM+137:19980101:102'
NAD+BY+DISTRIBUTOR::92'
NAD+SE+SUPPLIER::91'
CUX+2:GBP:4'
DOC+380' INVOICE
NAD+PC+1234::92'
LIN+1+114+PRODUCT 120:VP::91'
QTY+1:999:PCE'
PRI+AAA:200.63:RES::1:PCE'
RFF+DM:INV NUMBER1:INLIN4'
DTM+171:19971216:102'
LIN+2+114+FLASH:VP::91'
QTY+1:216:PCE'
PRI+AAA:27.64:RES::1:PCE'
RFF+DM:INV NUMBE26:INLIN1'
DTM+171:19971206:102'
DOC+381' CREDIT
NAD+PC+1234::92'
LIN+3+114+DRAM:VP::91'
QTY+1:200:PCE'
PRI+AAA:397.22:RES::1:PCE'
RFF+DM:CR NOTE NUMBER12:CRLIN2'
DTM+171:19971210:102'
DOC+80' DEBIT (FINANCIAL ADJUSTMENT)
NAD+PC+1234::92'
LIN+4+114+MOTHERBOARD:VP::91'
MOA+244:74.26'
RFF+DM:DB NOTE NUMBER1:DBLIN1'
DTM+171:19971211:102'
UNT+34+1'
UNZ+1+88'

Example 2

Resale Only (1 and 2 levels of end customer; Manufacturer => Distributor => End Customer
and Manufacturer =>Distributor =>Reseller => End
Customer)

UNB+UNOC:3+234567890:1:X+198765432:1:X+971201:1924+66+X:AA+SLSRPT++1+X+1'
UNH+1+SLSRPT:D:97A:ED:EDSL07'
BGM+RES+SLSRPT2+9'
DTM+90:19971201:102'
DTM+91:19981205:102'
DTM+137:19980106:102'
NAD+BY+DISTRIBUTOR::92'
NAD+SE+SUPPLIER::91'
CUX+2:FRF:4'
DOC+380' INVOICE (with 3rd & 4th level End Customer)
NAD+IK+7890::92'
LIN+1+114+PRODUCT ABCD:VP::91'
QTY+1:2002:PCE'
PRI+AAA:7897.64:RES::1:PCE'
RFF+DM:INV NUMBER64:INLIN1'
DTM+171:19971203:102'
NAD+MA+XXX::92'
DOC+380' INVOICE
NAD+PC+2109::92'
LIN+2+114+PRODUCT X:VP::91'
QTY+1:1000:PCE'
PRI+AAA:12.10:RES::1:PCE'
RFF+DM:INV NUMBER2:INLIN7'
RFF+ACD:ADDITIONAL REF NUMBER34'
DTM+171:19971205:102'
LIN+3+114+PRODUCT Y:VP::91'
QTY+1:2000:PCE'
PRI+AAA:60.43:RES::1:PCE'
RFF+DM:INV NUMBER16:DBL10'
DTM+171:19971205:102'
UNT+30+1'
UNZ+1+66'

Example 3

Resale combined with "Ship from Stock & Debit" Claim

UNB+UNOC:3+234567890:1:X+198765432:1:X+971201:1924+66+X:AA+SLSRPT++1+X+1'
 UNH+1+SLSRPT:D:97A:ED:EDSL07'
 BGM+RAC+SLSRPT3+9'
 DTM+90:19971201:102'
 DTM+91:19981231:102'
 DTM+137:19980101:102'
 NAD+BY+DISTRIBUTOR::92'
 NAD+SE+SUPPLIER::91'
 CUX+2:DEM:4'
 DOC+380' INVOICE
 NAD+PC+7531::92'
 LIN+1+113+PRODUCT DEF:VP::91' Resale & Claim
 QTY+1:33:PCE'
 PRI+AAA:500.12:RES::1:PCE'
 RFF+DM:INV NUMBER1:INLIN1'
 DTM+171:19971220:102'
 RFF+AU:DPA NUMBER23:DPALI1'
 RFF+DCN::CRCL1'
 RFF+ACD:ADDITIONAL REF NUMBER876'
 LIN+2+114+PRODUCT XYZ:VP::91' Resale only
 QTY+1:273:PCE'
 PRI+AAA:26.65:RES::1:PCE'
 RFF+DM:INV NUMBE31:INLIN1'
 DTM+171:19971204:102'
 DOC+381' CREDIT
 NAD+PC+7531::92'
 LIN+3+113+MOTHERBOARD:VP::91' Credit & Claim "Bill-Back"
 QTY+1:456:PCE'
 PRI+AAA:30.44:RES::1:PCE'
 RFF+DM:CR NOTE NUMBER6:CRLI1'
 DTM+171:19971215:102'
 RFF+AU:DPA NUMBER345:DPALI1'
 RFF+DCN::DCL1'
 DOC+380' INVOICE
 NAD+PC+39416::92'
 LIN+4+114+PRODUCT CCC:VP::91' Resale only
 QTY+1:1000:PCE'
 PRI+AAA:987.99:RES::1:PCE'
 RFF+DM:INV NUMBER67:INLIN9'
 DTM+171:19971201:102'
 RFF+ACD:ADDITIONAL REF NUMBER990'
 UNT+41+1'
 UNZ+1+66'